

oeuf®

PERCH TWIN-SIZE BUNK/LOFT BED

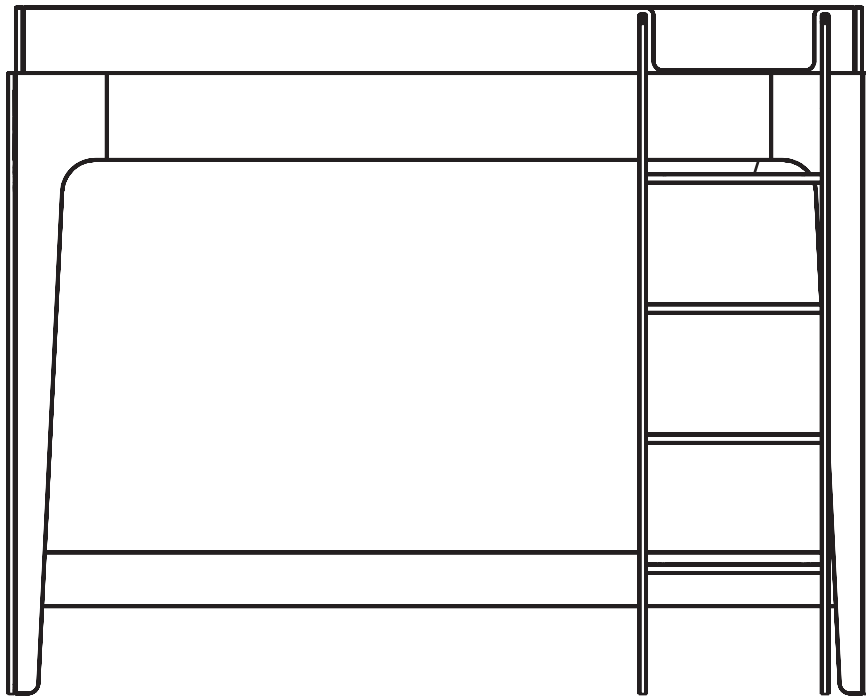
ITEM #'S

.....
USA | CANADA | KOREA

.....
: AUSTRALIA | NEW ZEALAND
.....

2PBBOx, 2PTLOx

2PBBOx-A, 2PTLOx-A



ek71401 / ek71530 / ek72206

Oeuf LLC 119 8th Street, Suite 301 | Brooklyn, NY 11215 | USA +1 (718) 965-1216 | www.oeufnyc.com

Distributed internationally by:

Australia

Kido Agencies

Postal: PO Box 6039
Alexandria NSW 2015
Australia
Tel: +61 2 9045 7799
info@kidoagencies.com

EU

Suede Import

20 Bis Rue des Champs
92600 Asnières-sur-Sein
France
Tel: +33 (0)1 40 86 06 03
suedeimport@yahoo.fr

Canada

Monte Distribution Inc.

270 Belfield Rd
Toronto, Ontario M9W 1H5
Canada
Tel: +1 866 604 6755
info@oeufcanada.com

Turkey

Operaistanbul

Cengiz Topel Cad. Tugcular sok.
No:1 Kat 3 Etiler Istanbul
Turkey
Tel: +90 212 321 8132
info@operaisatnbul.com

Korea

J2 International Inc.

(주) 제이투인터내셔널
서울시 강남구 도산대로 506
재정빌딩 304호
Tel: +82 70 8247 7576

China

Arketype Limited

7F Metro Loft, 38 Kwai Hei St.
Kwai Chung, N.T.,
Hong Kong
+852 2110 9400
www.arketype.com

UK

Kids At Home Distribution

Newick Business Centre
Church Road
Newick, BN8 4NA
England
Tel: +01825 724160

Made in Latvia

Play MP3

Scan the QR code to
view video assembly
instructions.



US & Canadian Safety Warnings

Follow the information on the warnings appearing on the upper bunk end structure and on the carton. Do not remove warning label from bed.

- Use only mattress which is 75" (190 cm) long and 39" (99 cm) wide with a **thickness not greater than 8" (20 cm)** on upper bunk. **(use a standard Twin-size Mattress without a box spring)**
- Always use the recommended size mattress or mattress support, or both, to help prevent the likelihood of entrapment or falls.
- Surface of mattress must be at least 5 in. (127 mm) below the upper edge of guardrails.
- Do not allow children under 6 years of age to use the upper bunk.
- Prohibit more than one person on upper bunk.
- Periodically check and ensure that the guardrail, ladder, and other components are in their proper position, free from damage, and that all connectors are tight.
- Do not allow horseplay on or under the bed and prohibit jumping on the bed.
- Always use the ladder for entering and leaving the upper bunk.
- Do not use substitute parts. Contact the manufacturer or dealer for replacement parts.
- Use of a night light may provide added safety precaution for a child using the upper bunk.
- Always use guardrails on both long sides of the upper bunk. If the bunk bed will be placed next to the wall, the guardrail that runs the full length of the bed should be placed against the wall to prevent entrapment between the bed and wall.
- The use of water or sleep flotation mattresses is prohibited.

STRANGULATION HAZARD

Never attach or hang items to any part of the bunk bed that are not designed for use with the bed; for example, but not limited to, hooks, belts and jump ropes.

Keep these instructions for future reference.

Replacement Parts:

Replacement parts are available by contacting your local Oeuf retailer.

Informations importantes concernant la sécurité

IMPORTANT - À LIRE ATTENTIVEMENT - À CONSERVER POUR CONSULTATION ULTÉRIEURE

- Utiliser exclusivement un matelas de 75" (190cm) sur 39" (99cm), d'une épaisseur maximale de 20 cm.
- Toujours utiliser un matelas aux dimensions recommandées afin d'éviter tout risque de coincement ou de chute.
- La surface supérieure du matelas doit se situer 160 mm au moins en dessous du bord supérieur des barrières de protection. L'épaisseur du matelas ne doit pas dépasser la ligne tracée sur la barrière latérale du lit superposé supérieur.
- Lors de l'assemblage, tous les points d'attache doivent être correctement fixés. S'assurer qu'il n'y a pas de jeu entre les éléments.
- Vérifier régulièrement la position de la barrière de sécurité, de l'échelle et des autres éléments afin de s'assurer qu'ils ne sont pas endommagés et que tous les points de raccord sont correctement fixés.
- Ne pas utiliser ce lit superposé si l'un des éléments est défectueux ou manquant. Ne pas remplacer les éléments. Contacter le fabricant ou le revendeur pour obtenir des pièces de rechange.
- Le lit superposé supérieur n'est pas conçu pour supporter le poids de plus d'une personne.
- Ne pas chahuter sur et sous le lit ; ne pas sauter sur le lit.
- Toujours utiliser l'échelle pour monter ou descendre du lit supérieur.
- Laisser une veilleuse allumée permet d'augmenter la sécurité des enfants dormant sur le lit supérieur.
- Toujours utiliser la barrière de sécurité latérale sur le lit supérieur.

ATTENTION: Risque de coincement entre le lit et le mur. Pour éviter tout risque de blessure grave, la distance entre la barrière de sécurité supérieure et le mur ne doit pas dépasser 75 mm, ou doit être supérieure à 230 mm.

ATTENTION: En raison du risque de chute, le lit superposé supérieur ne convient pas aux enfants de moins de 6 ans.

RISQUE DE STRANGULATION:

Certains objets tels que des cordes, fils, ficelles, harnais et ceintures attachés ou pendus à un lit superposé représentent un risque de strangulation pour les enfants. Ne jamais attacher ou pendre au lit superposé, à quelque partie que ce soit, des objets non destinés à être utilisés avec le lit (crochets, cordes, ceintures ou cordes à sauter par exemple ; liste non exhaustive).

Conserver ces instructions pour toute consultation ultérieure.

Australian Safety Warnings

MATTRESS SIZE 920 mm X 1880 mm
Maximum thickness of 220 mm

WARNING: TOP BUNKS AND ELEVATED BEDS ARE DANGEROUS AND ARE NOT RECOMMENDED FOR CHILDREN UNDER THE AGE OF 9

Falls from elevated beds can be fatal and deaths have occurred where children have fallen from elevated beds. This is relevant for all ages. The risk is greater for younger children.


The risk of injury or death from a fall from an elevated bed compared to a non-elevated bed is:

10 x greater for 7-8 year olds
7 x greater for 9-10 year olds
3 x greater for 11-12 year olds

Children should be discouraged from playing on the bunk bed.

The bunk bed should be checked periodically to ensure that the guardrail, access device and other components are maintained in the correct position and state of repair and that all connectors are tight.

WARNING: The upper bunk must be more than 2 m from any ceiling fan.

 **STRANGULATION HAZARD** – Never attach or hang items to any part of the bunk bed that are not designed for use with the bed; for example, but not limited to, hooks, belts and jump ropes.

Keep these instructions for future reference.

Replacement Parts:

Replacement parts are available by contacting your local Oeuf retailer.

⚠ KO - Korean - 대한민국 안전 주의사항

주의: 퍼치 이층침대를 안전하고 올바르게 사용함으로써 사고나 위험을 막기 위한 안내서이므로 끝까지 읽어 주십시오. 그림을 참고하시면 도움이 됩니다.

침대에 부착된 라벨을 제거하지 마십시오.

- 상단 침대에 맞는 매트리스의 크기는 길이 188 cm - 190 cm, 넓이 95.5 cm - 98 cm, 최대높이 20 cm 가 넘지 않아야 합니다. (박스 스프링을 제외한 평균 규격 트윈 매트리스를 사용하시면 됩니다.)
- 어린이의 낙상방지를 위해 항상 권장된 사이즈의 매트리스 혹은 매트리스 지지대를 사용하십시오.
- 매트리스의 상단면이 가드레일의 상단부에서 아래쪽으로 최소한 127 mm 아래에 위치해야 합니다.
- 만 6세 미만의 어린이는 상단 침대를 사용할 수 없습니다.
- 상단 침대는 한 사람만 사용할 수 있습니다.
- 가드레일, 사다리 및 기타 부품들이 적절한 위치에 있는지, 손상된 곳은 없는지, 나사와 볼트가 느슨해진 건 아닌지 정기적으로 확인하십시오.
- 어린이들이 침대아래에서 장난을 치거나 혹은 침대위에서 뛰어 놀지 않게 하십시오.
- 상단 침대에서 내려올때에는 항상 사다리를 사용하십시오.
- 대체 부품을 절대 사용하지 마십시오. 필요시에는 우프 수입판매업체 및 구입하신 소매점에 부품 교체를 문의 하십시오.
- 야간에 어린이들이 침대에서 안전하게 내려올수 있도록 작은 야간용 전등을 사용하시면 도움이 됩니다.
- 상단침대에는 양쪽부분 모두 가드레일을 설치하여 사용하십시오. 이층침대를 벽 옆으로 배치시킬 경우도 아이들이 벽과 침대사이로 떨어질수 있는 사고를 예방하기 위하여 항상 가드레일을 설치해야 합니다.
- 물이나 공기를 이용한 매트리스의 사용을 금합니다.

⚠ 질식위험

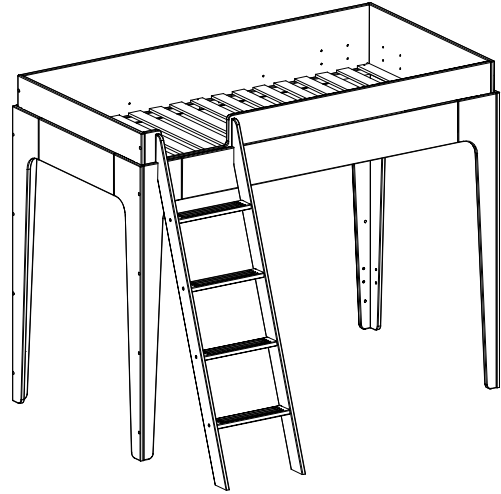
절대 침대에 장난감을 부착하거나 물건을 걸어 놓지 마십시오. 이층침대는 물건을 걸어 놓는 용도로 디자인된 침대가 아닙니다. 예를 들어, 벨트, 각종 줄, 끈, 고리 등을 침대에 연결하거나 부착하지 마십시오. 나중에 참고할 수 있도록 이 설명서를 잘 보관하십시오.

부품교체:

부품을 교체를 원하실 경우, 우프 수입판매업체 및 구입하신 소매점으로 연락하시기 바랍니다.

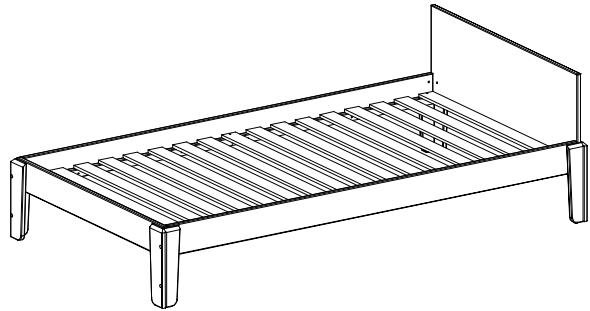
A UPPER BED components

BOX 1	2PB01-01 2PB02-01
BOX 2	2PB00-02
BOX 3	2PB00-03



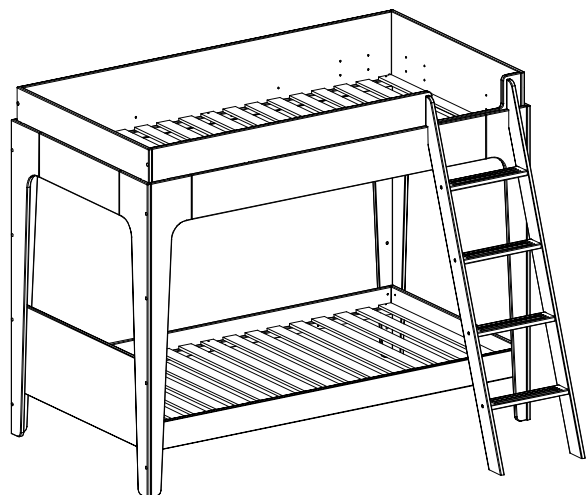
B LOWER BED components

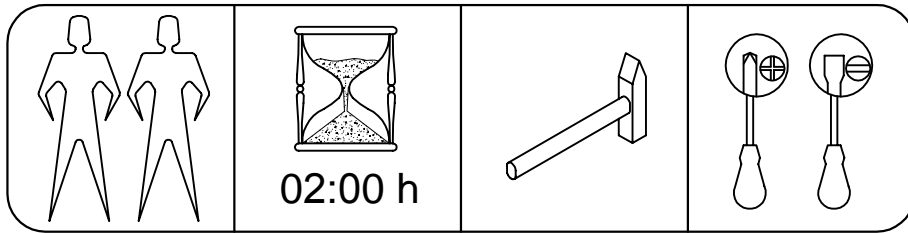
BOX 4	2PB00-04
BOX 5	2PB00-05



A + **B** BUNK BED components

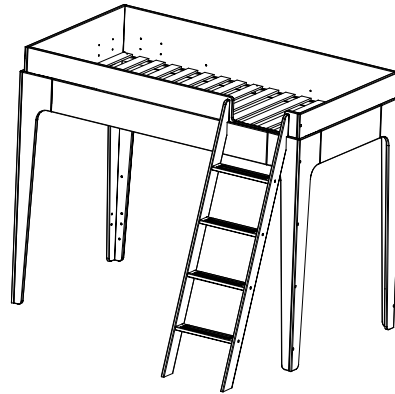
BOX 1	2PB01-01 2PB02-01
BOX 2	2PB00-02
BOX 3	2PB00-03
+	
BOX 4	2PB00-04
BOX 5	2PB00-05

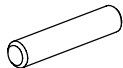

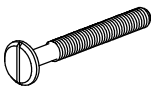
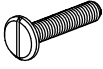
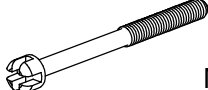

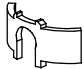



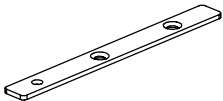
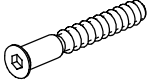
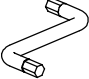
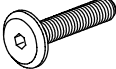
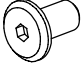
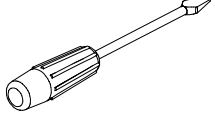




Fittings List - UPPER BED

Liste des Pièces

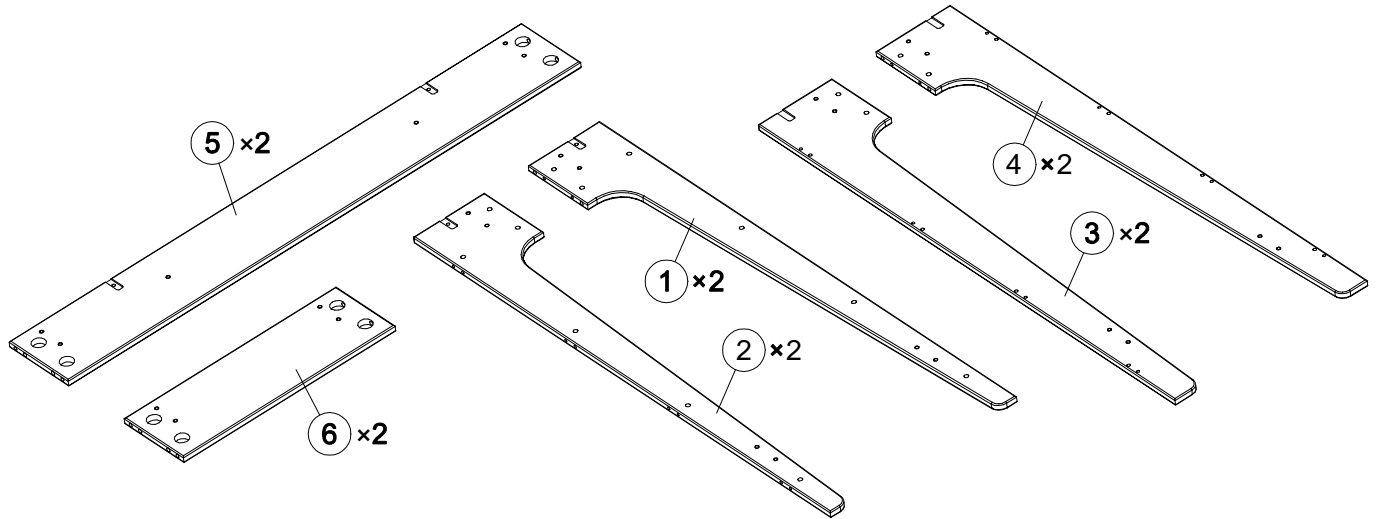


A		Ø8x40	20 pcs
B		Ø10x40	16 pcs
C		M6x50	24 pcs
D		M6x30	42 pcs
E		M6x65	16 pcs
F		Ø10x14	40 pcs
G			16 pcs
H		Ø4x35	48 pcs

J			2 pcs
K		Ø7x40	4 pcs
L			1 pcs
M		M6x35	4 pcs
N			4 pcs
O			1 pcs
P			44 pcs
Q		Ø18	16 pcs

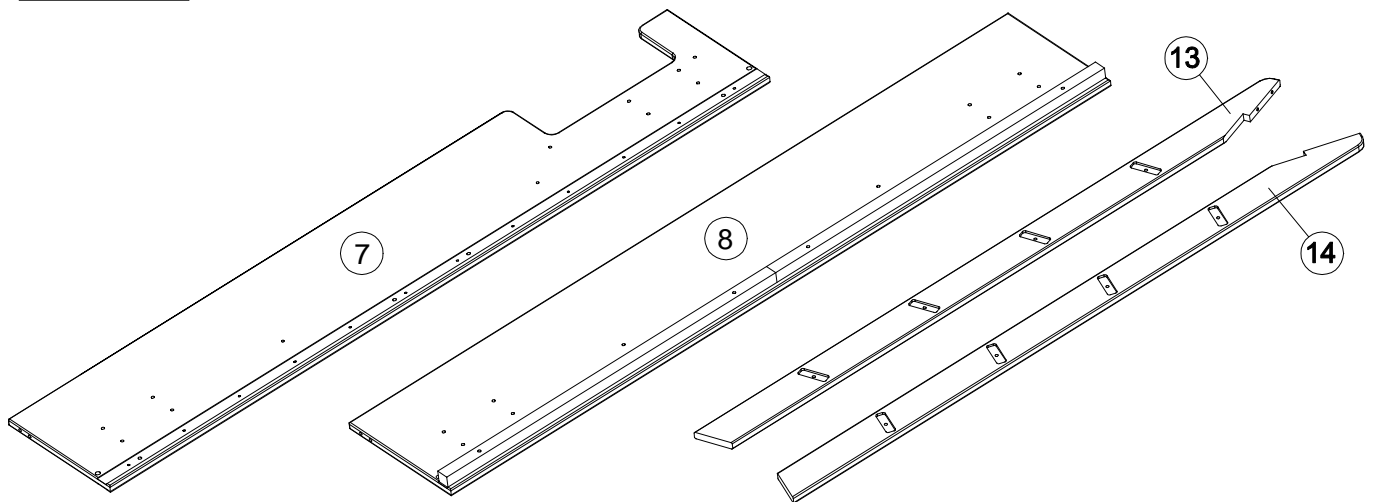
BOX 1

UPPER BED components:
Plywood components of upper bed.



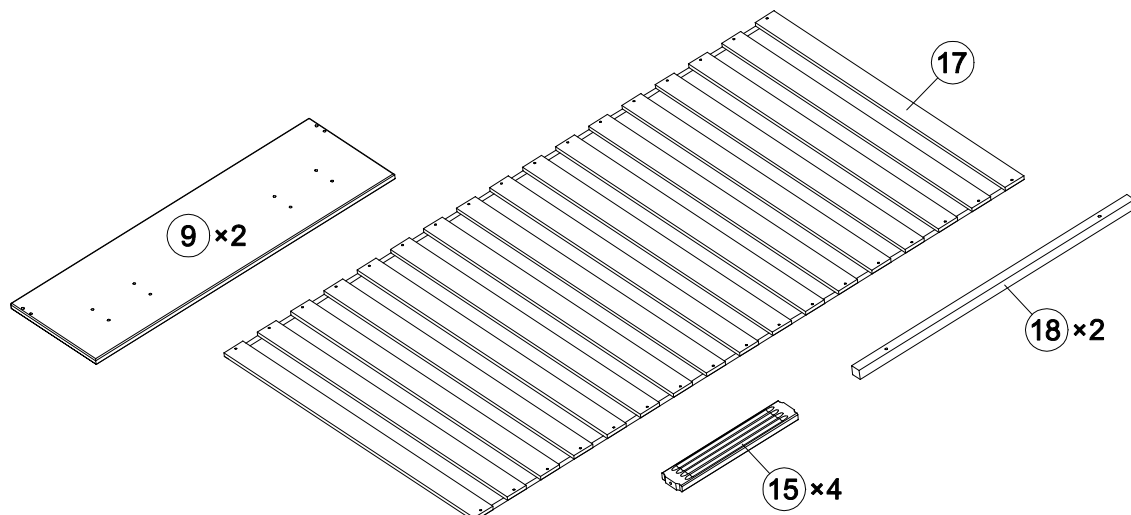
BOX 2

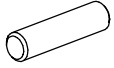
UPPER BED components:
Long bed rails, ladder rails.



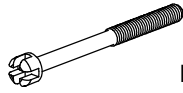
BOX 3

UPPER BED components:
Short bed sides, ladder steps, mattress support rail, mattress support.



B

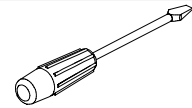
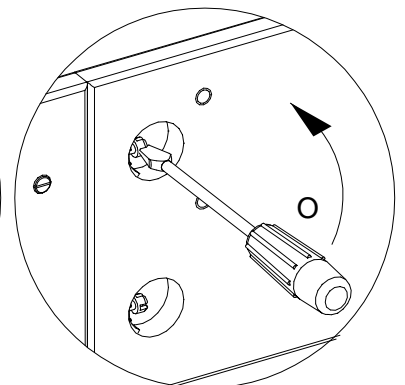
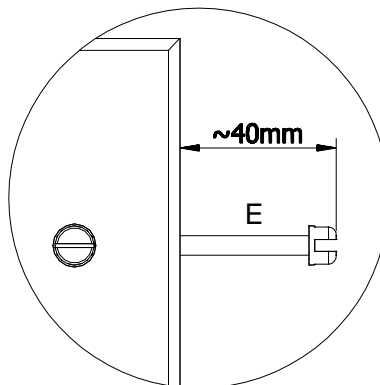
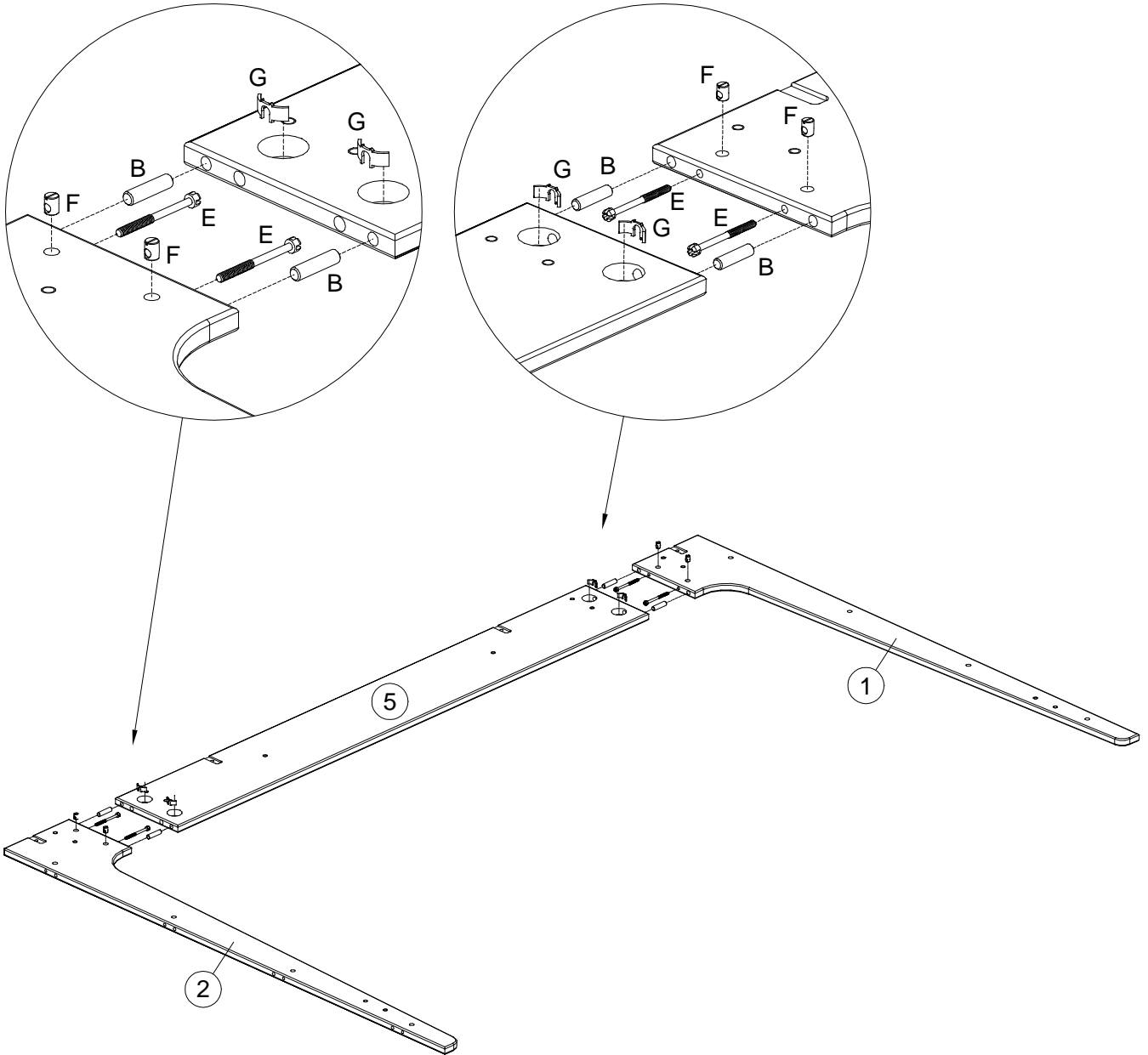
Ø10x40

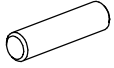
8
pcs**E**

M6x65

8
pcs**F**

Ø10x14

8
pcs**1** × **2****G****8**
pcs**O****1**
pcs

B

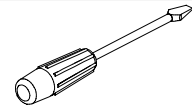
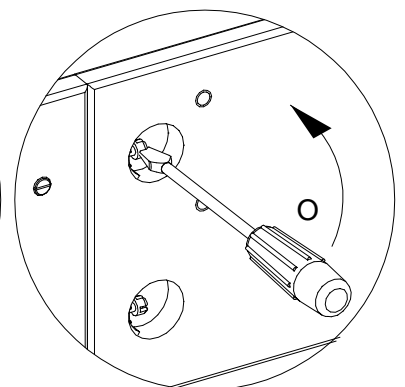
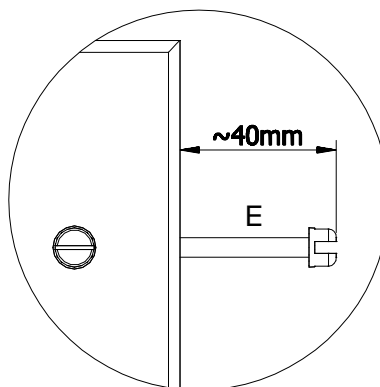
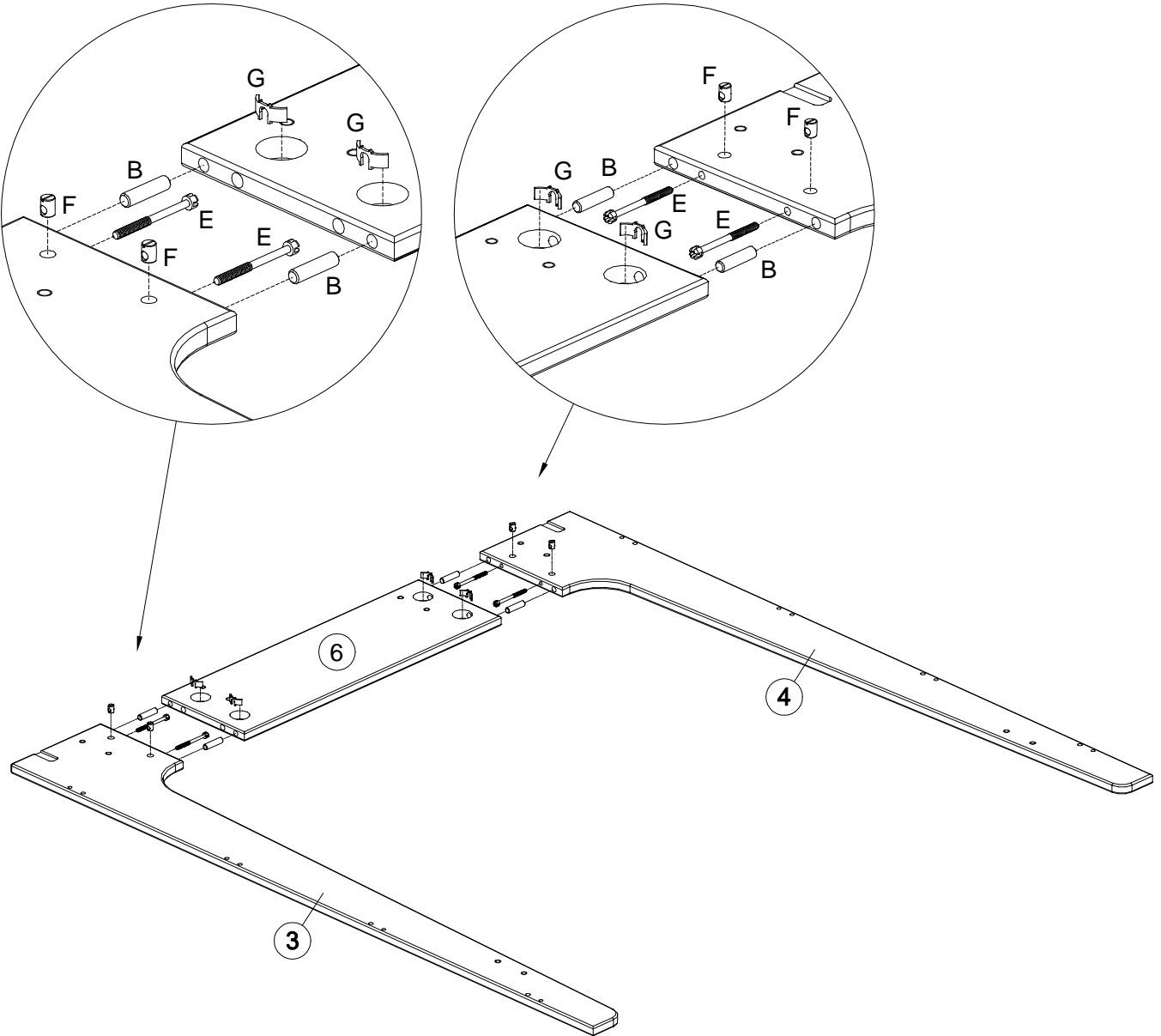
Ø10x40

8
pcs**E**

M6x65

8
pcs**F**

Ø10x14

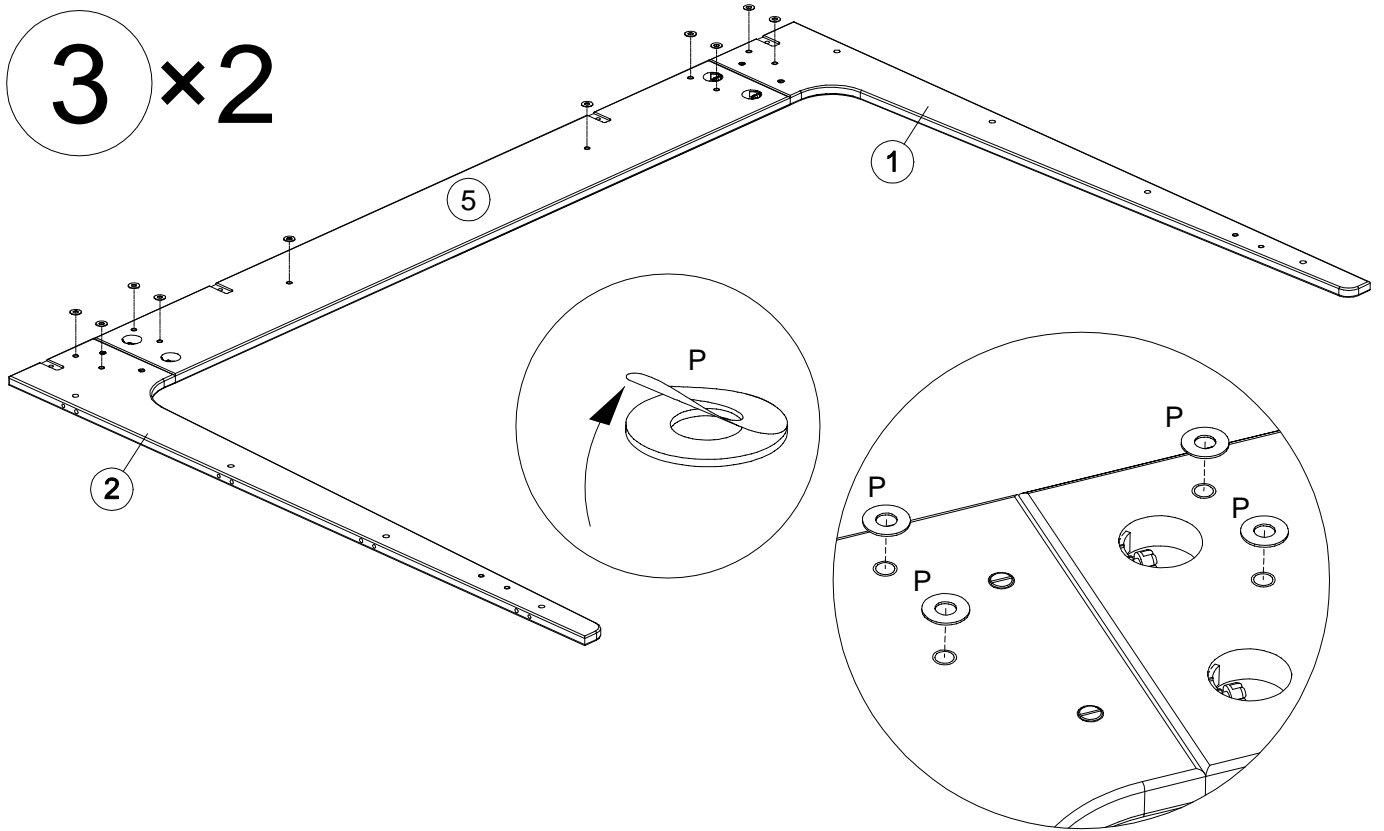
8
pcs**2** × **2****G****8**
pcs**O****1**
pcs

P



20
pcs

3 × 2

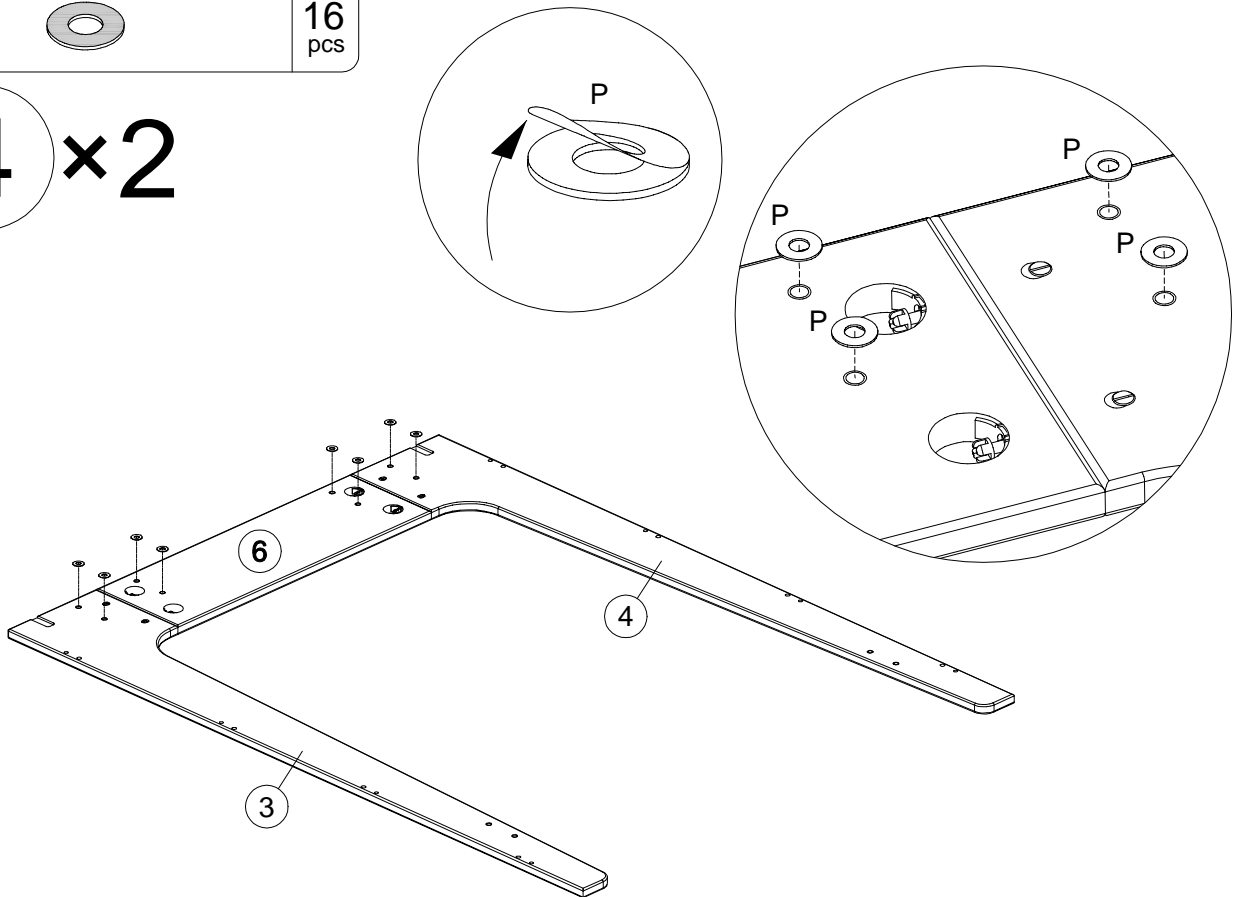


P



16
pcs

4 × 2



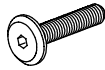
H



Ø4x35

12 pcs

M



M6x35

4 pcs

N



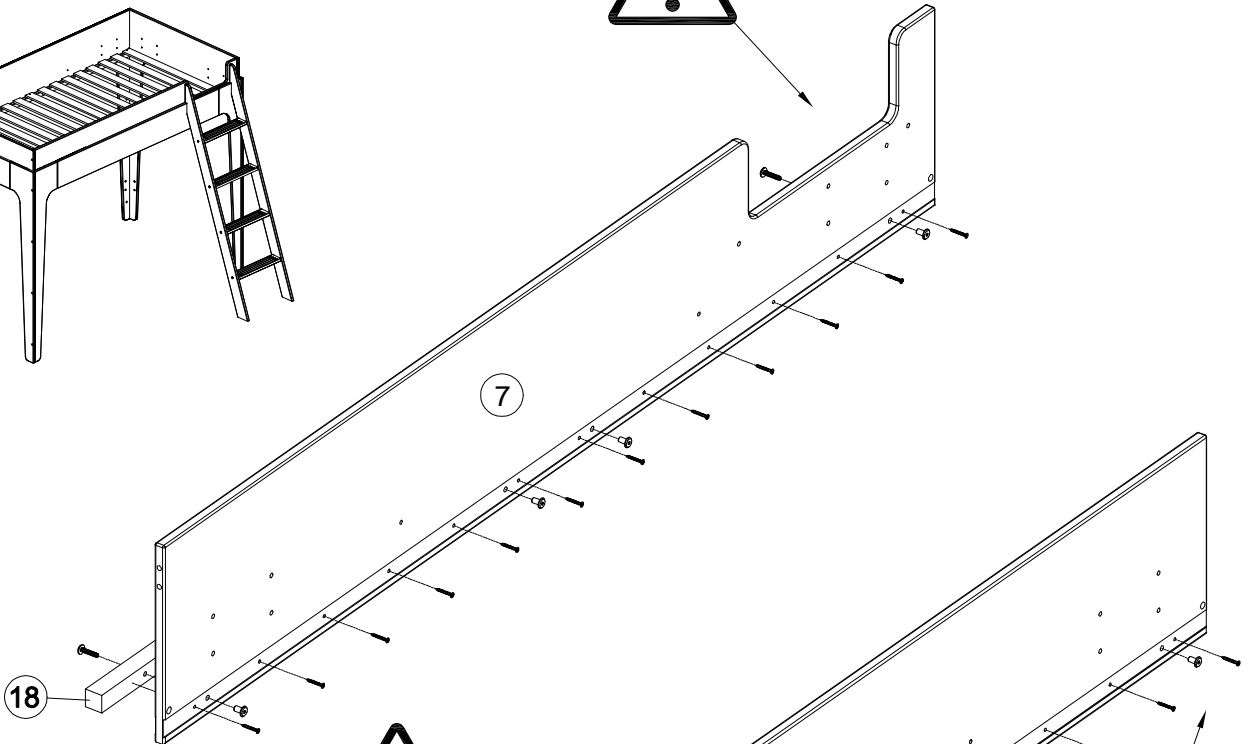
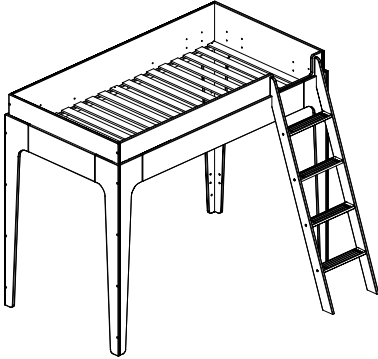
4 pcs

L

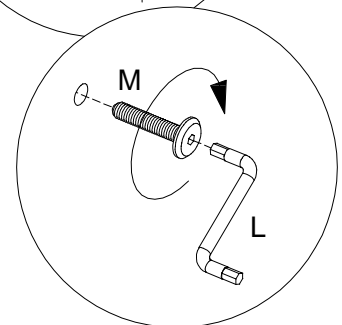
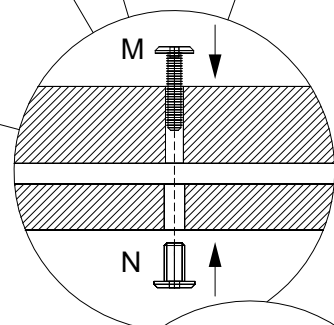
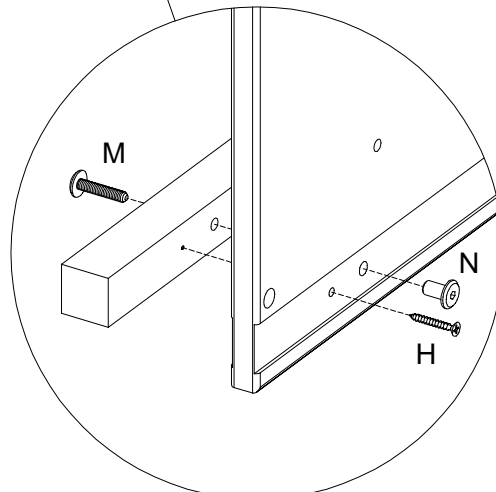
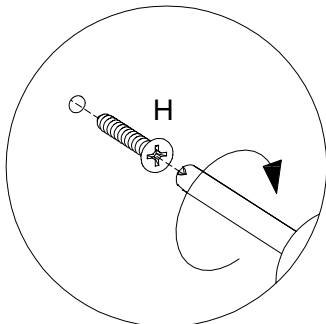
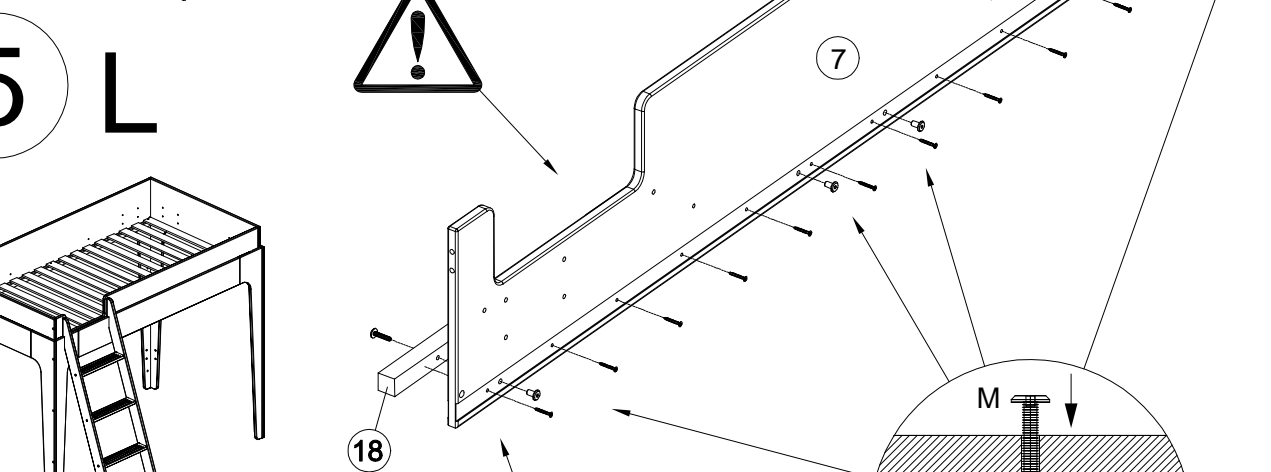
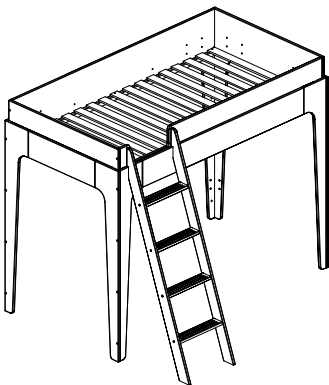


1 pcs

5 R



5 L



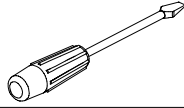
D



M6x30

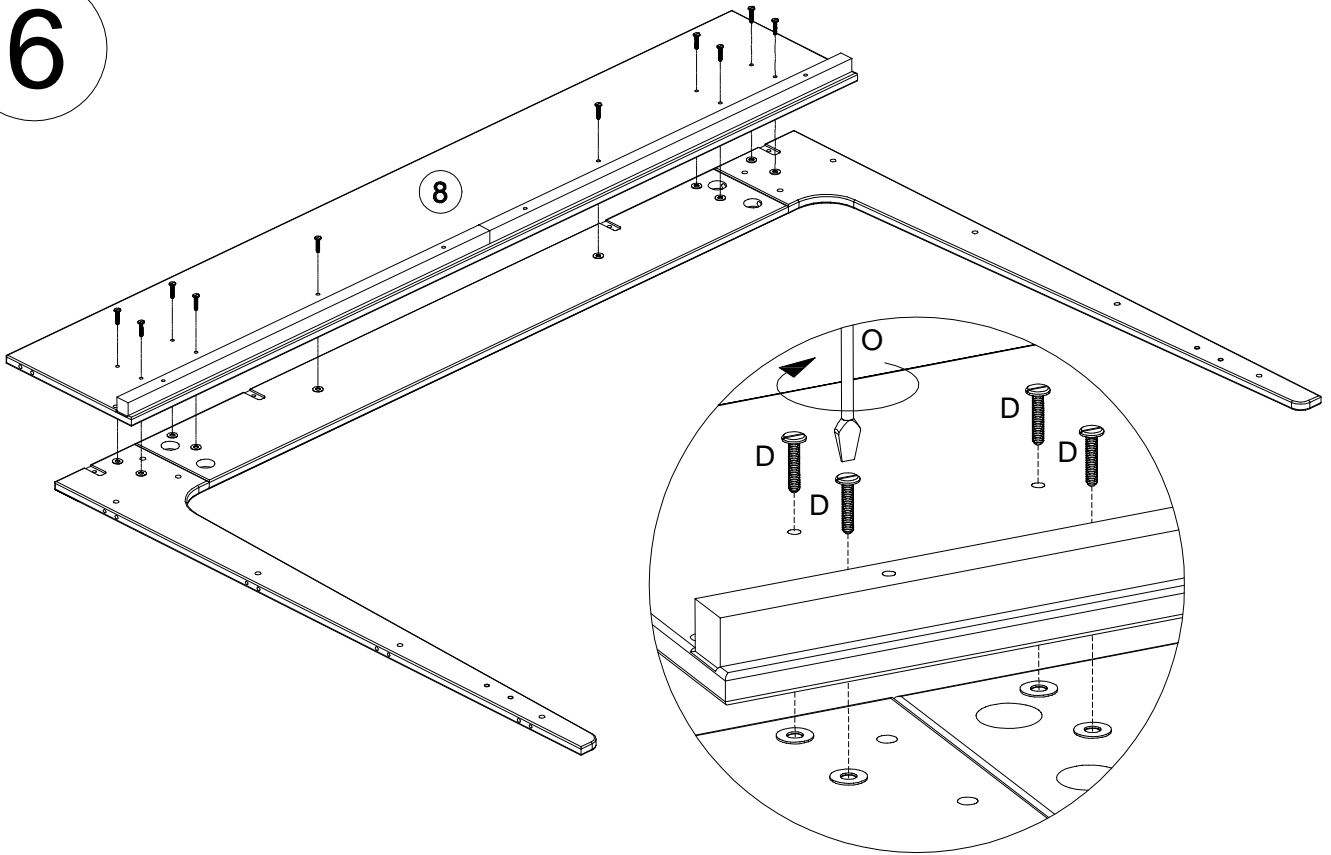
10 pcs

O

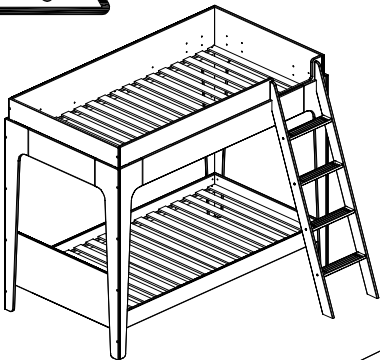


1 pcs

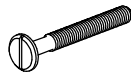
6



BUNK BED



C



M6x50

2 pcs

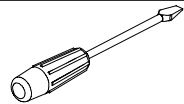
D



M6x30

2 pcs

O

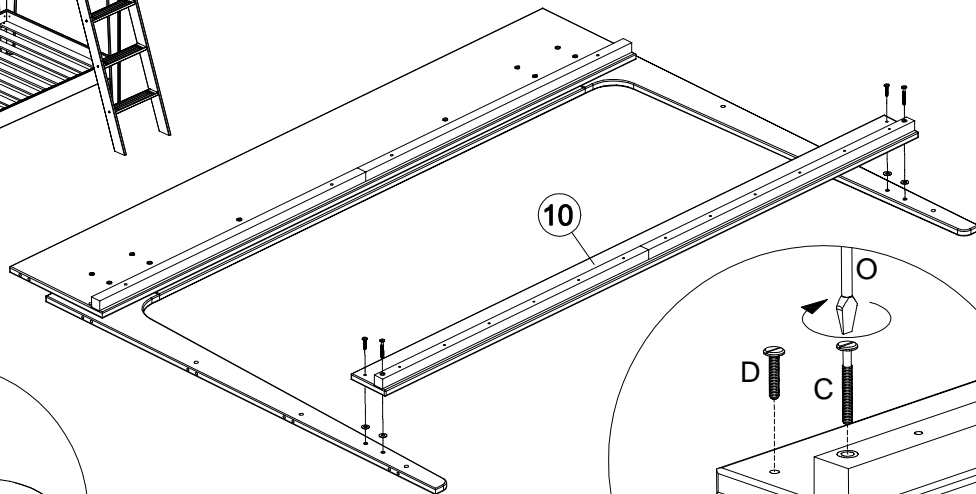
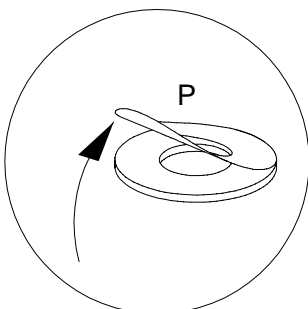


1 pcs

P



4 pcs



10

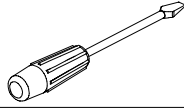
D



M6x30

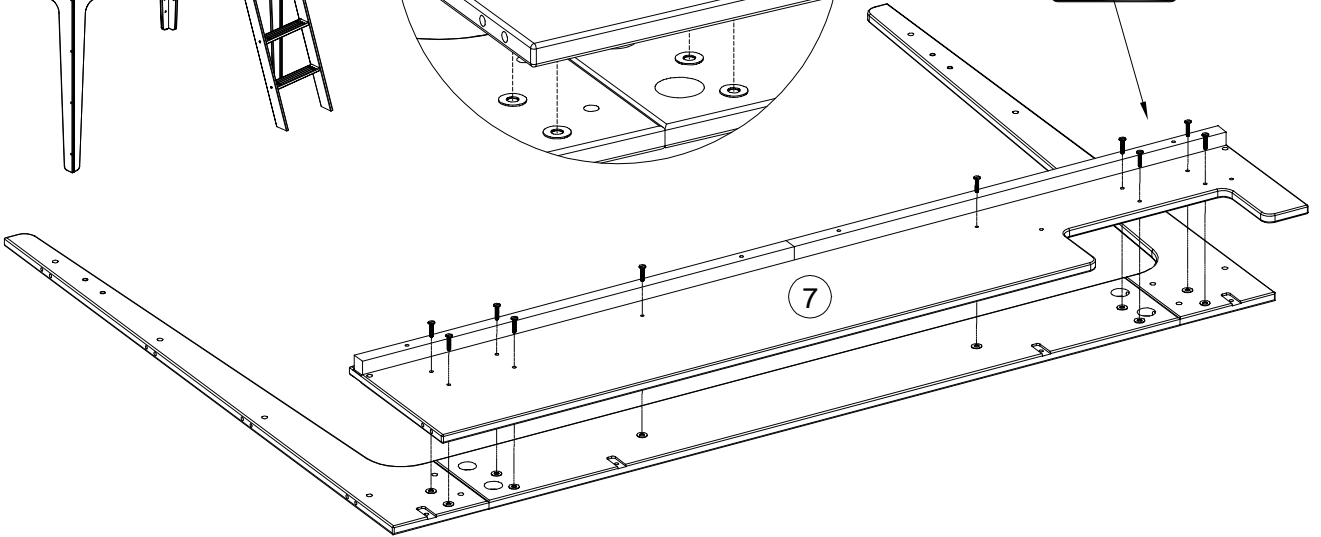
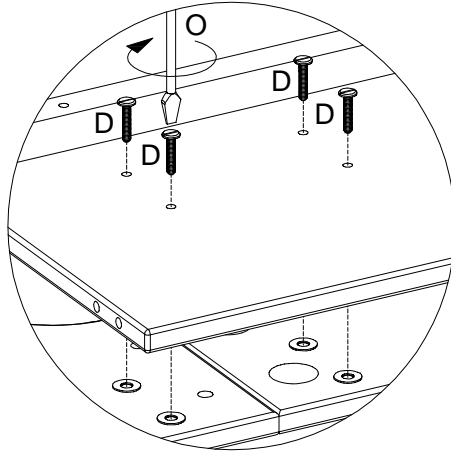
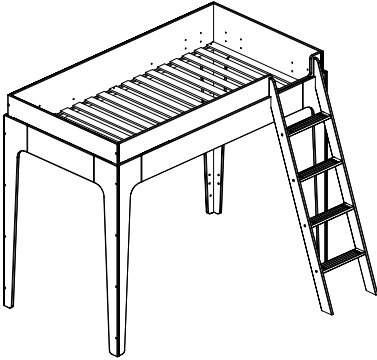
10 pcs

O



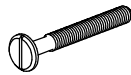
1 pcs

7 R



BUNK BED

C



M6x50

2 pcs

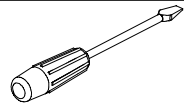
D



M6x30

2 pcs

O

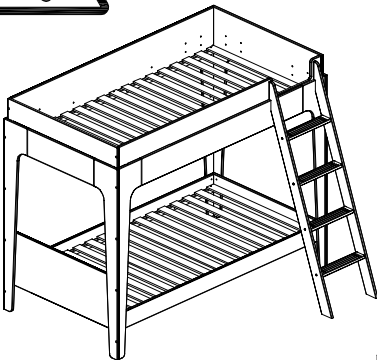


1 pcs

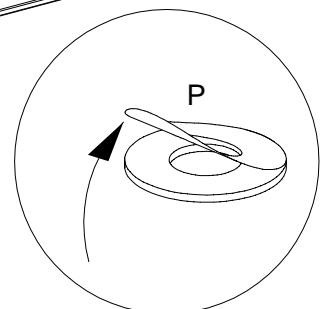
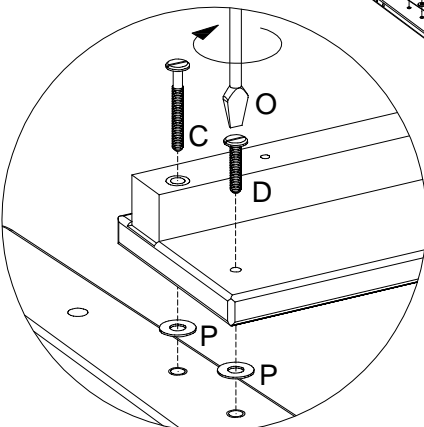
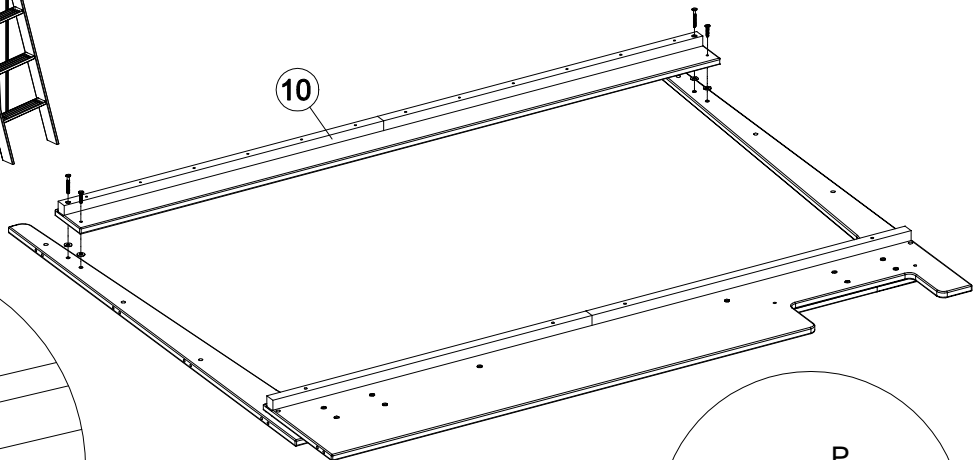
P



4 pcs



10



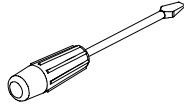
D



M6x30

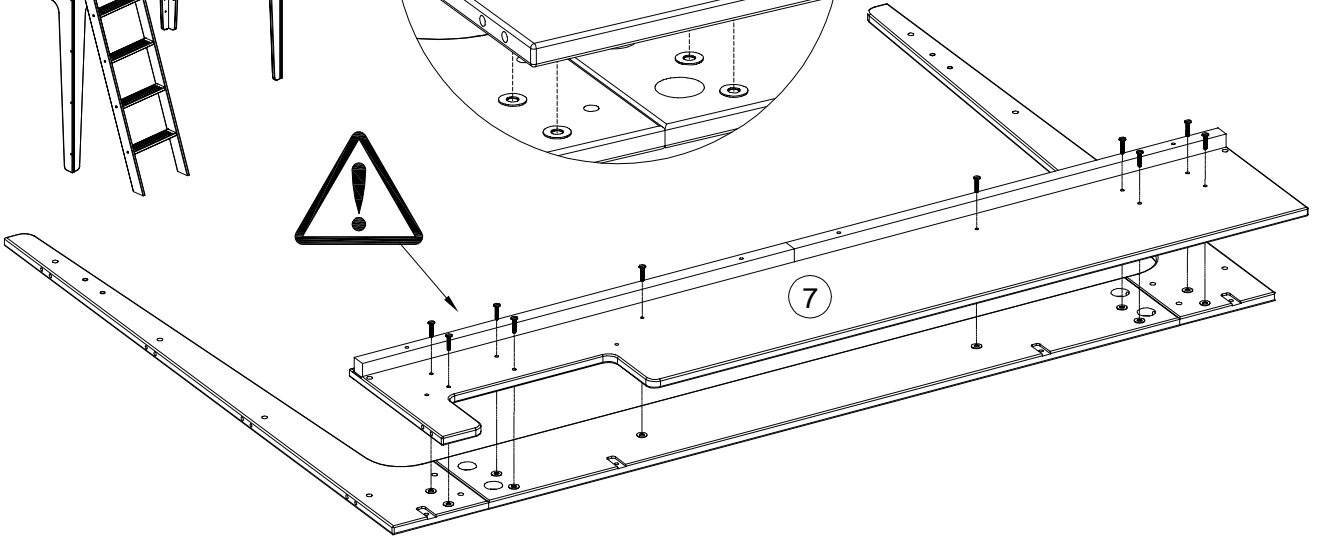
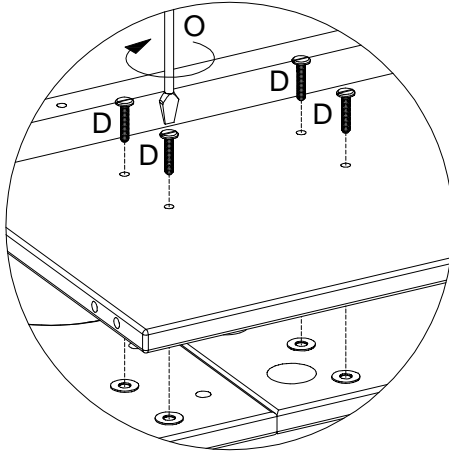
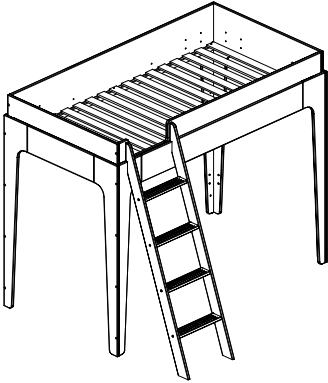
10 pcs

O



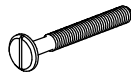
1 pcs

7 L



BUNK BED

C



M6x50

2 pcs

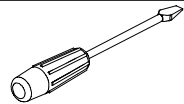
D



M6x30

2 pcs

O

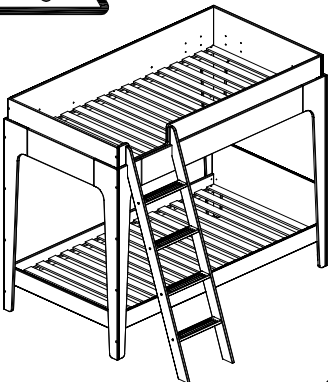


1 pcs

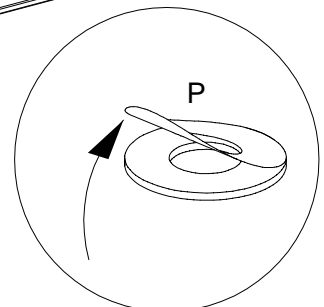
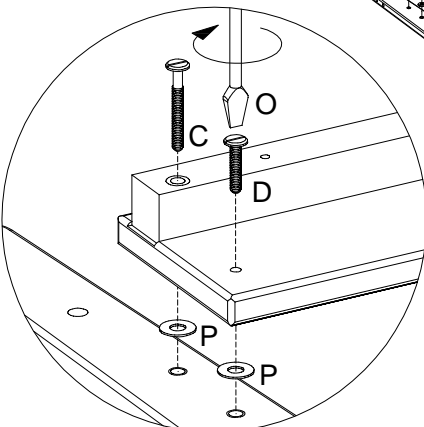
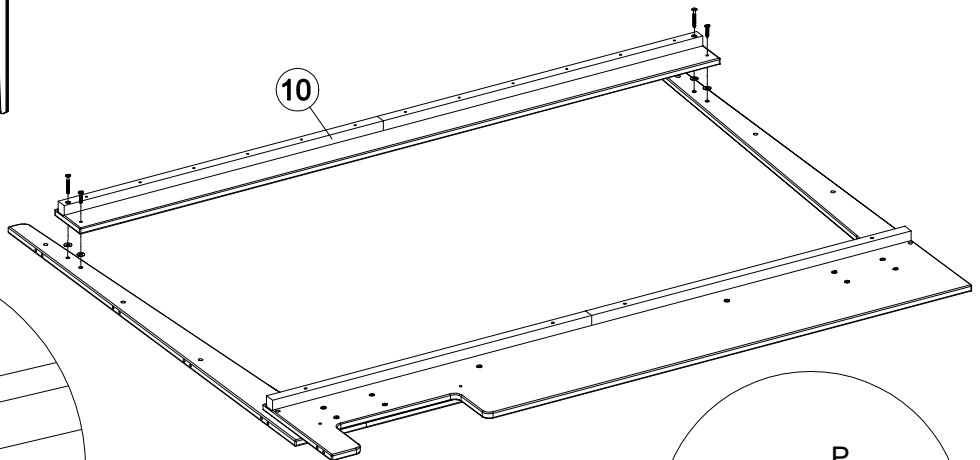
P



4 pcs



10

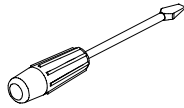


D

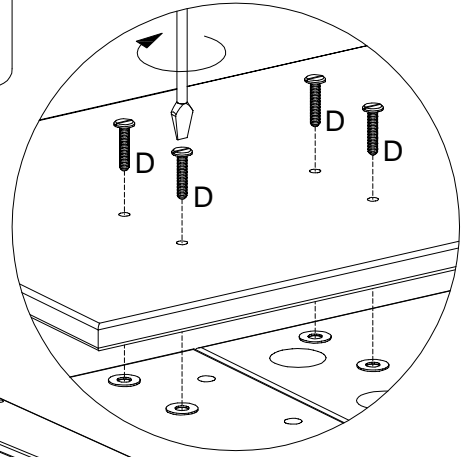


M6x30 16 pcs

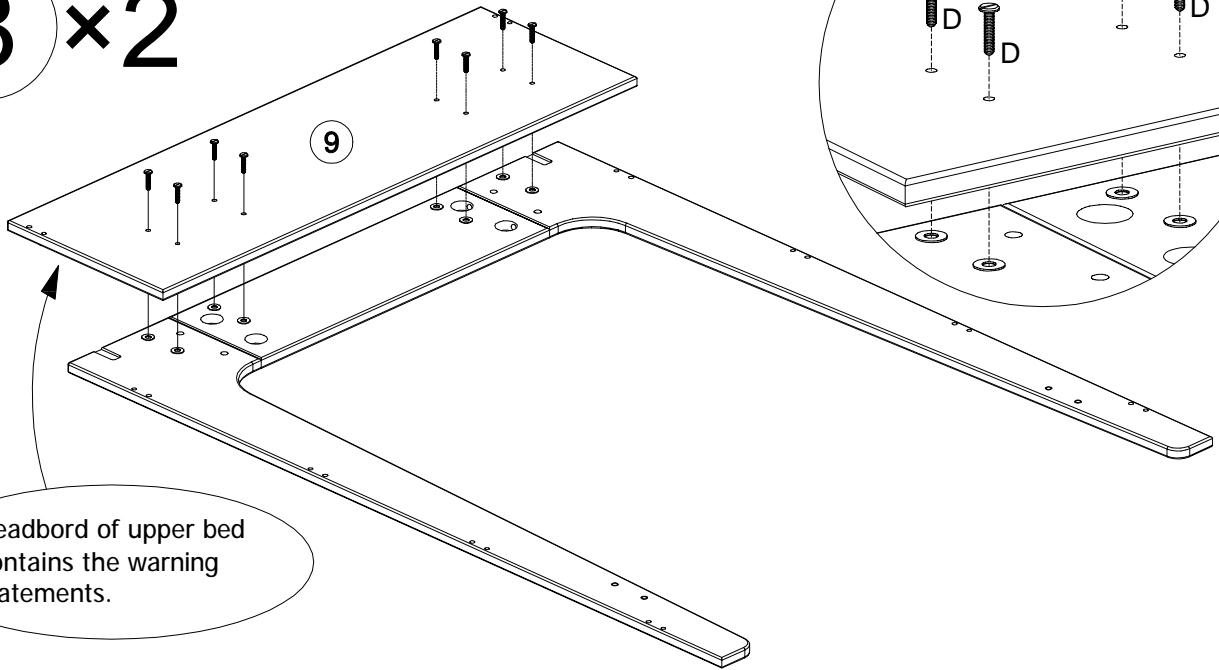
O



1 pcs



8 x 2



Headboard of upper bed contains the warning statements.



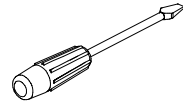
BUNK BED

D



M6x30 8 pcs

O

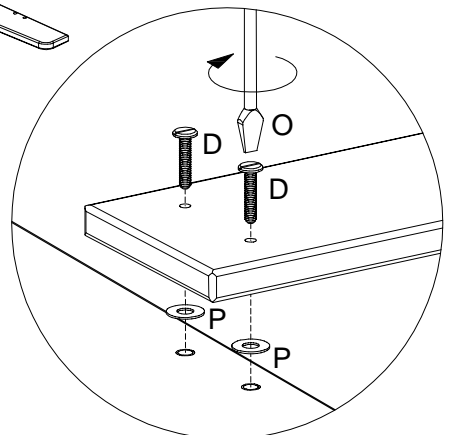
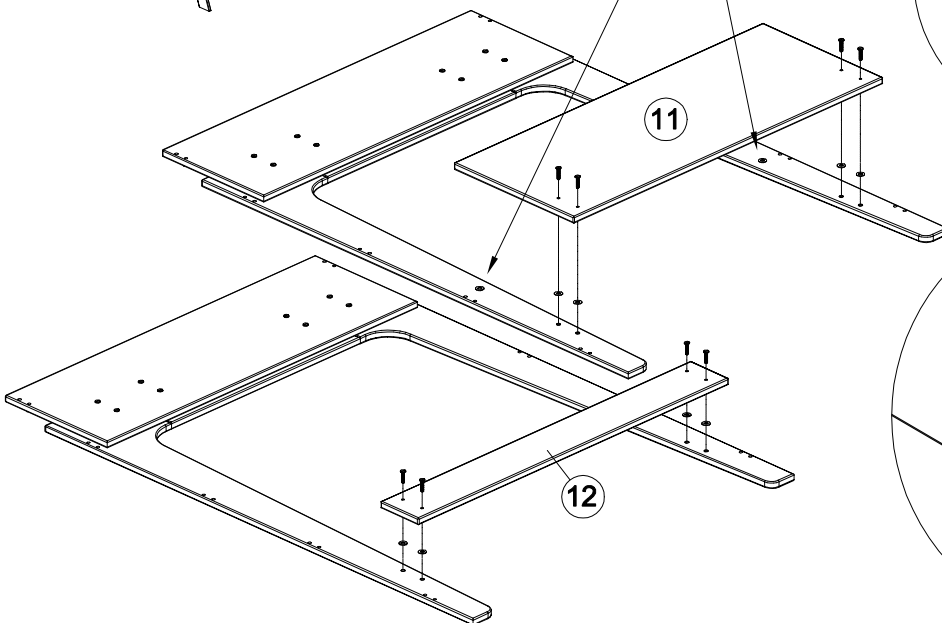
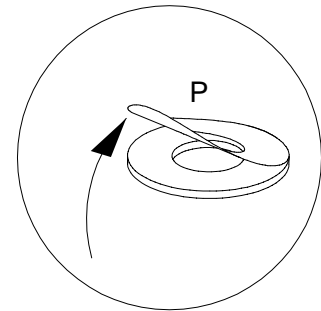
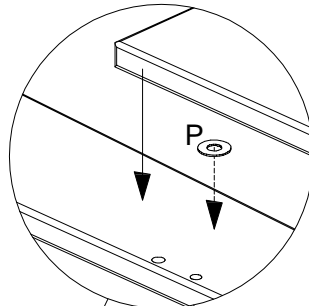
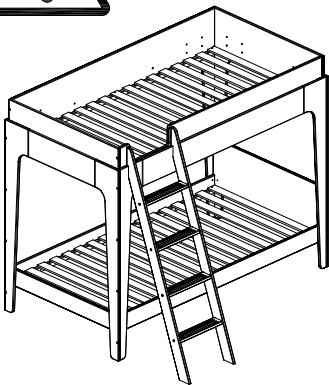



1 pcs

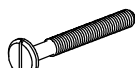
P

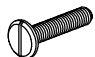


10 pcs



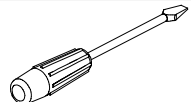
A		Ø8x40	20 pcs
---	---	-------	--------

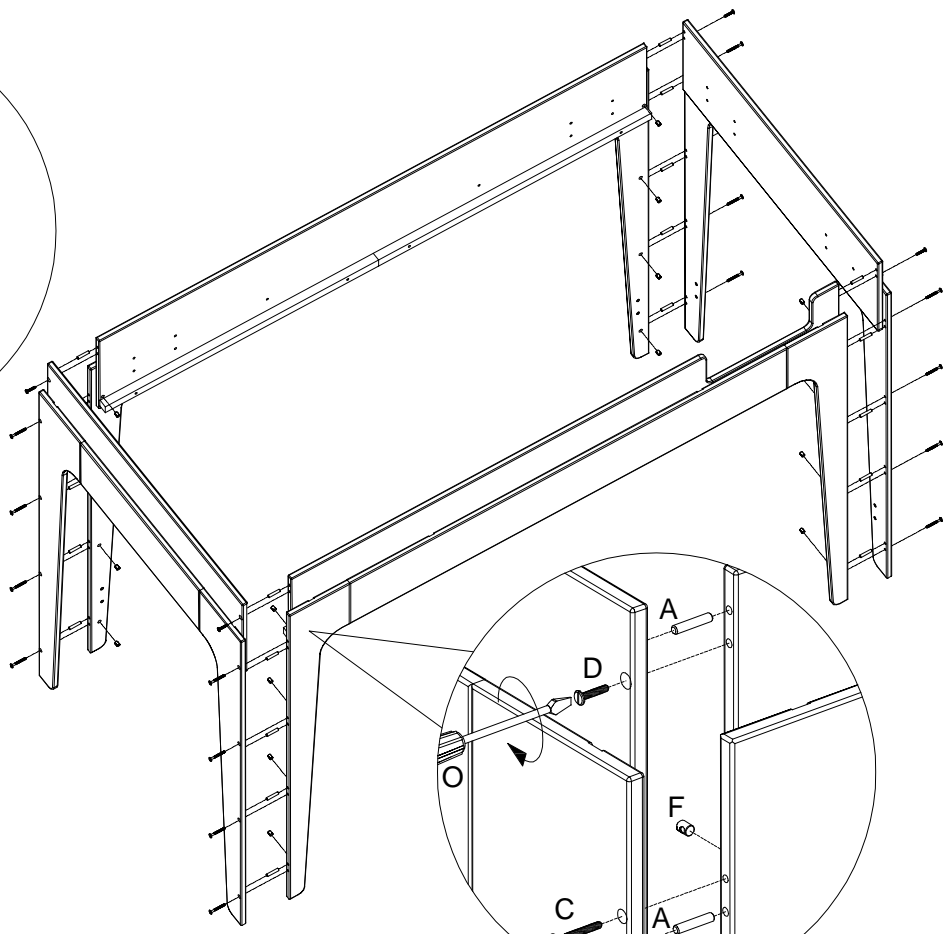
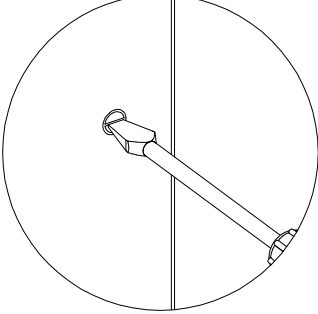
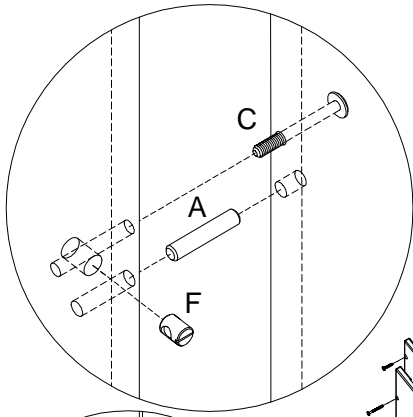
C		M6x50	16 pcs
---	---	-------	--------

D		M6x30	4 pcs
---	---	-------	-------

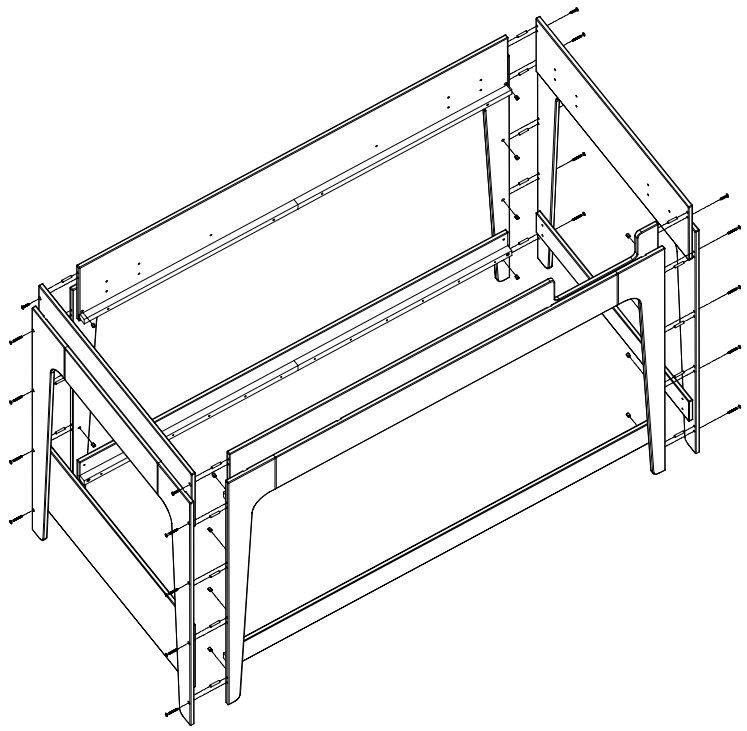
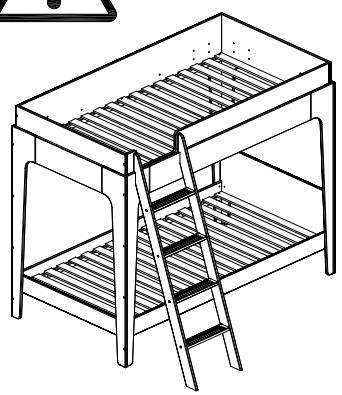
9

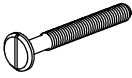
F		Ø10x14	16 pcs
---	---	--------	--------

O			1 pcs
---	---	--	-------

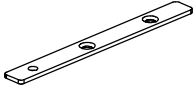


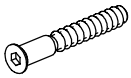
BUNK BED

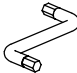


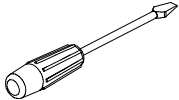
C		M6x50	8 pcs
---	---	-------	-------

F		Ø10x14	8 pcs
---	---	--------	-------

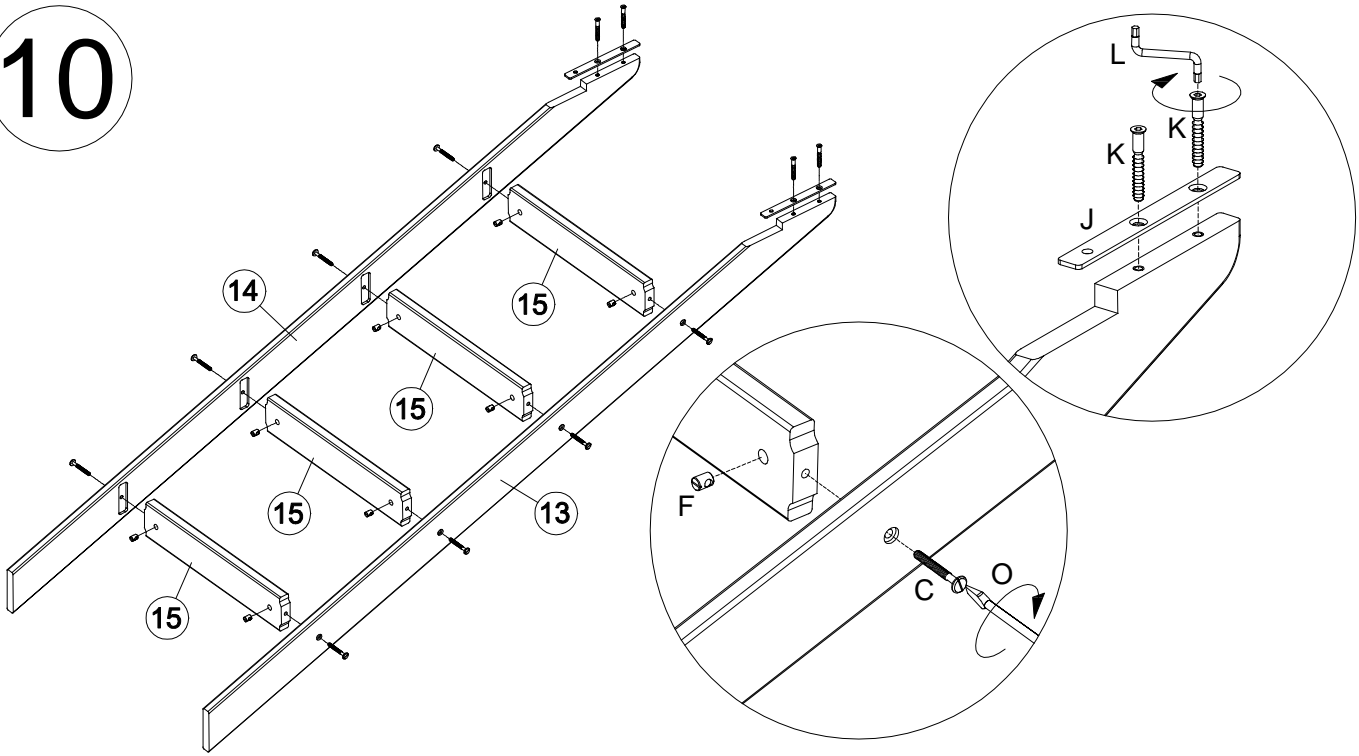
J			2 pcs
---	---	--	-------


K		Ø7x40	4 pcs
---	---	-------	-------

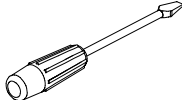
L			1 pcs
---	---	--	-------


O			1 pcs
---	---	--	-------

10

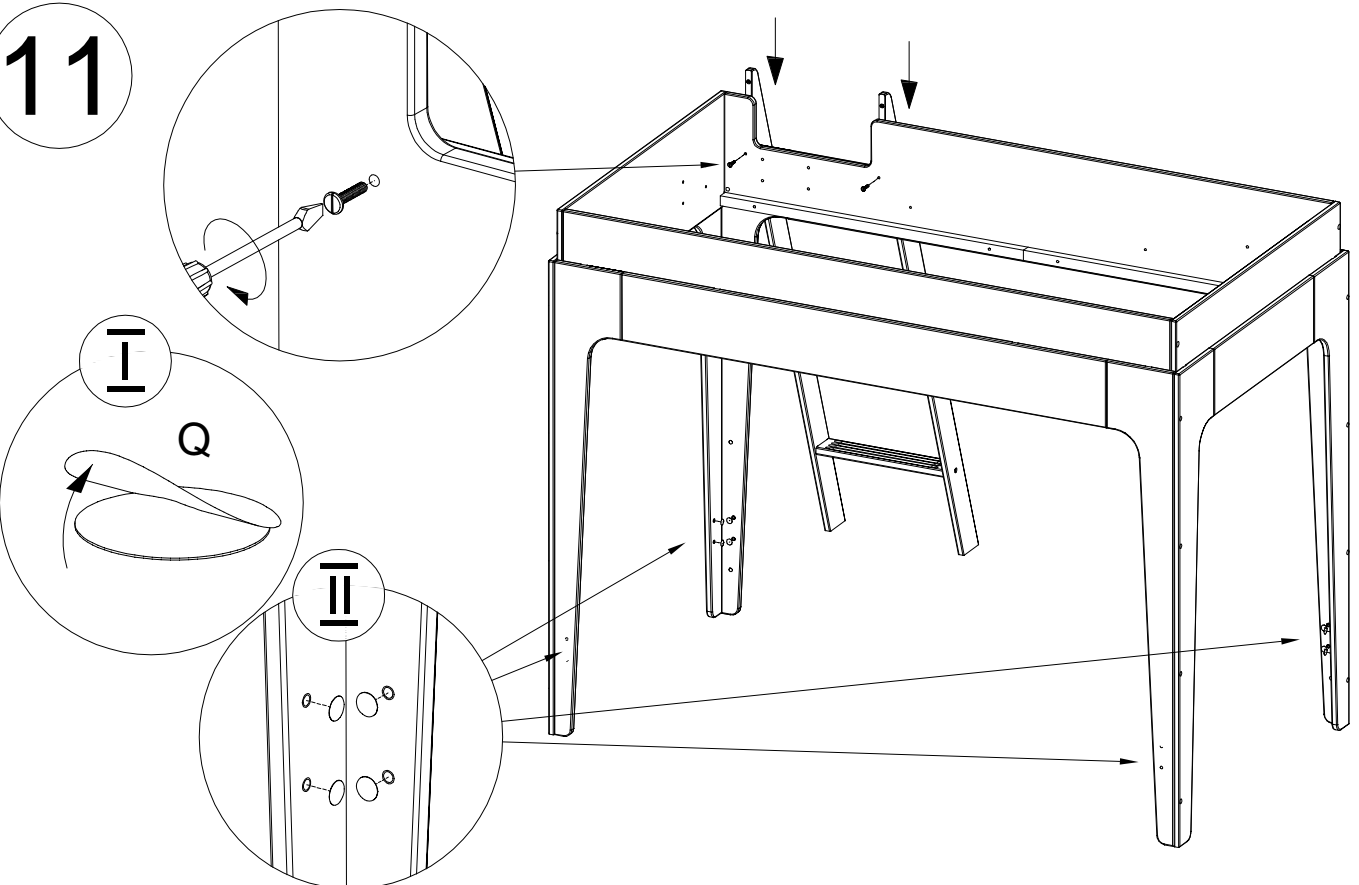


D		M6x30	2 pcs
---	---	-------	-------

O			1 pcs
---	---	--	-------

Q		Ø18	16 pcs
---	---	-----	--------

11



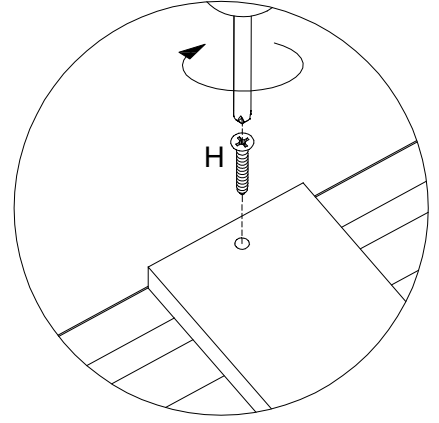
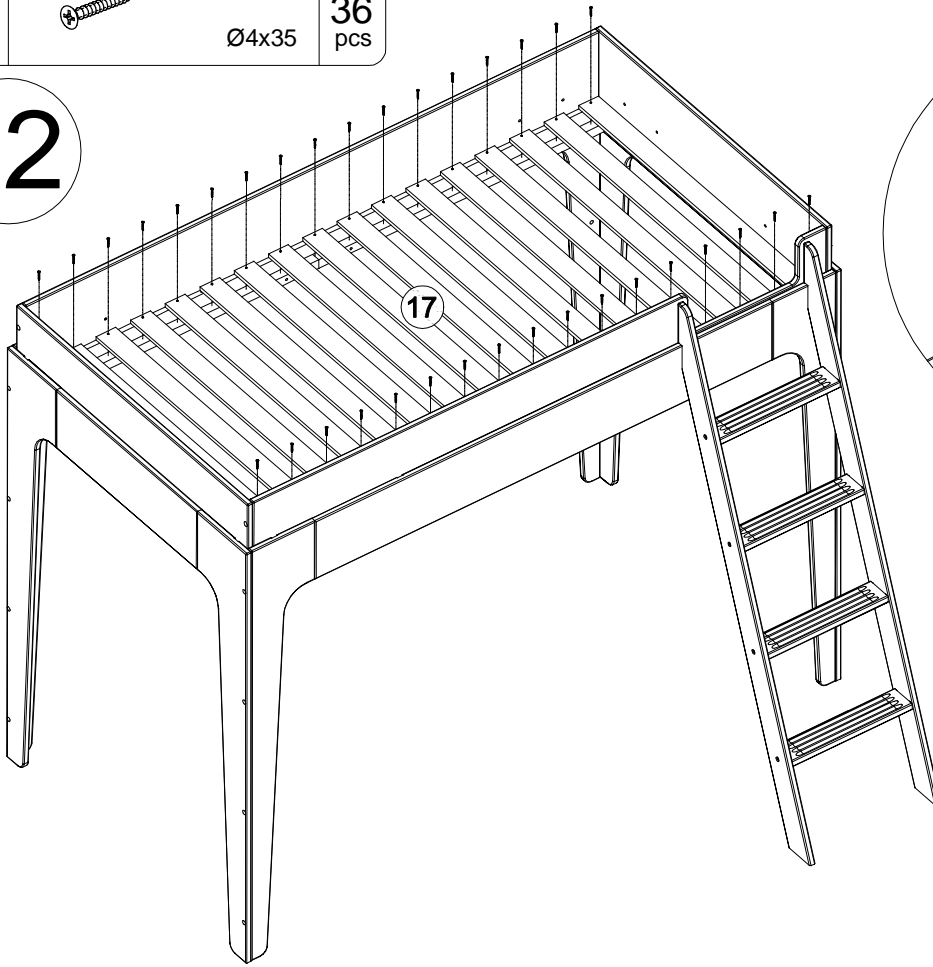
H



Ø4x35

36
pcs

12



BUNK BED

H



Ø4x35

36
pcs

