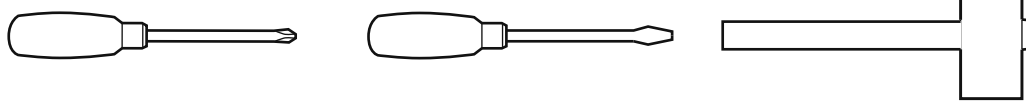


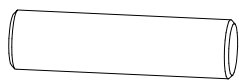
| Tools required:



| Do not throw away packaging materials until assembly is complete.

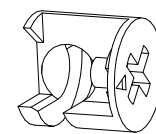
| Assemble this item on a soft surface, such as cardboard or carpet, to protect finish.

A



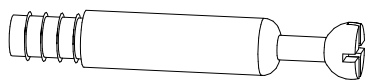
8x30 mm wooden dowels 6x

B



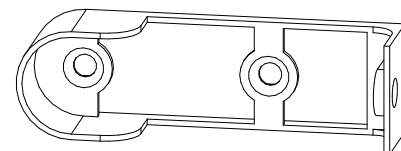
cam locks 4x

C



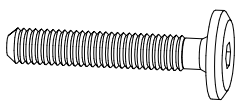
cam screws 4x

D



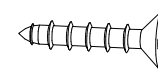
bracket for wardrobe hanging rail 2x

E



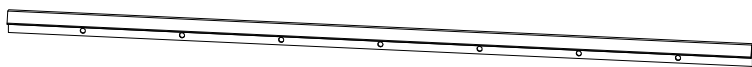
6x20 mm connecting screws 2x

F



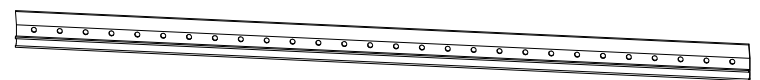
3.5x15 mm screws 7x

G



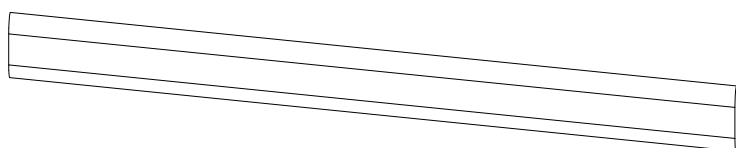
hanging rail 1x

H



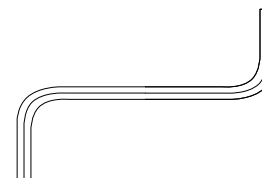
wall mounting hanging rail 1x

I



wardrobe rail 1x

J



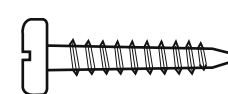
Allen Key 1x

K



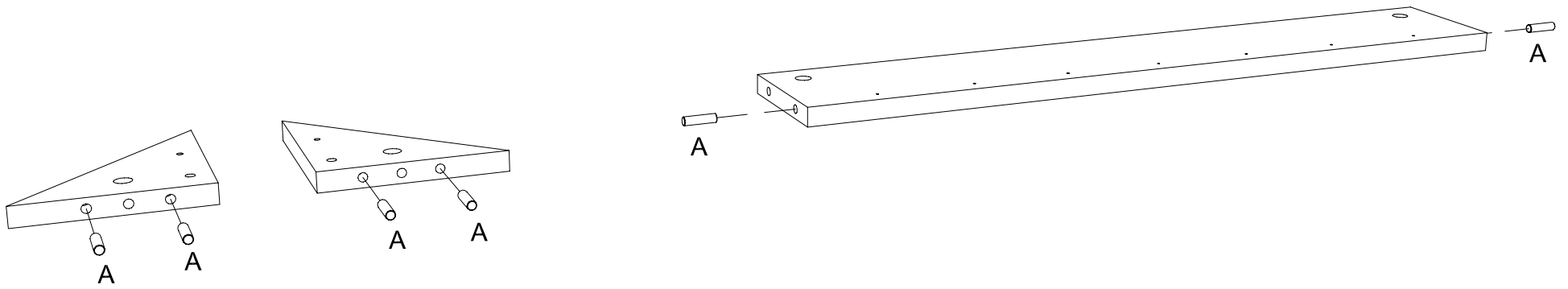
anchor 2x

L

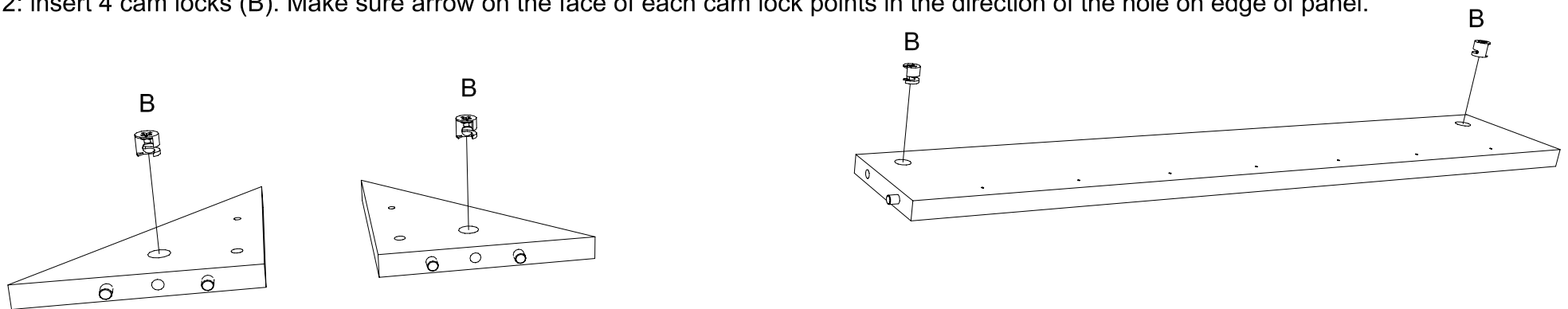


4.5 x 20mm anchor screw 2x

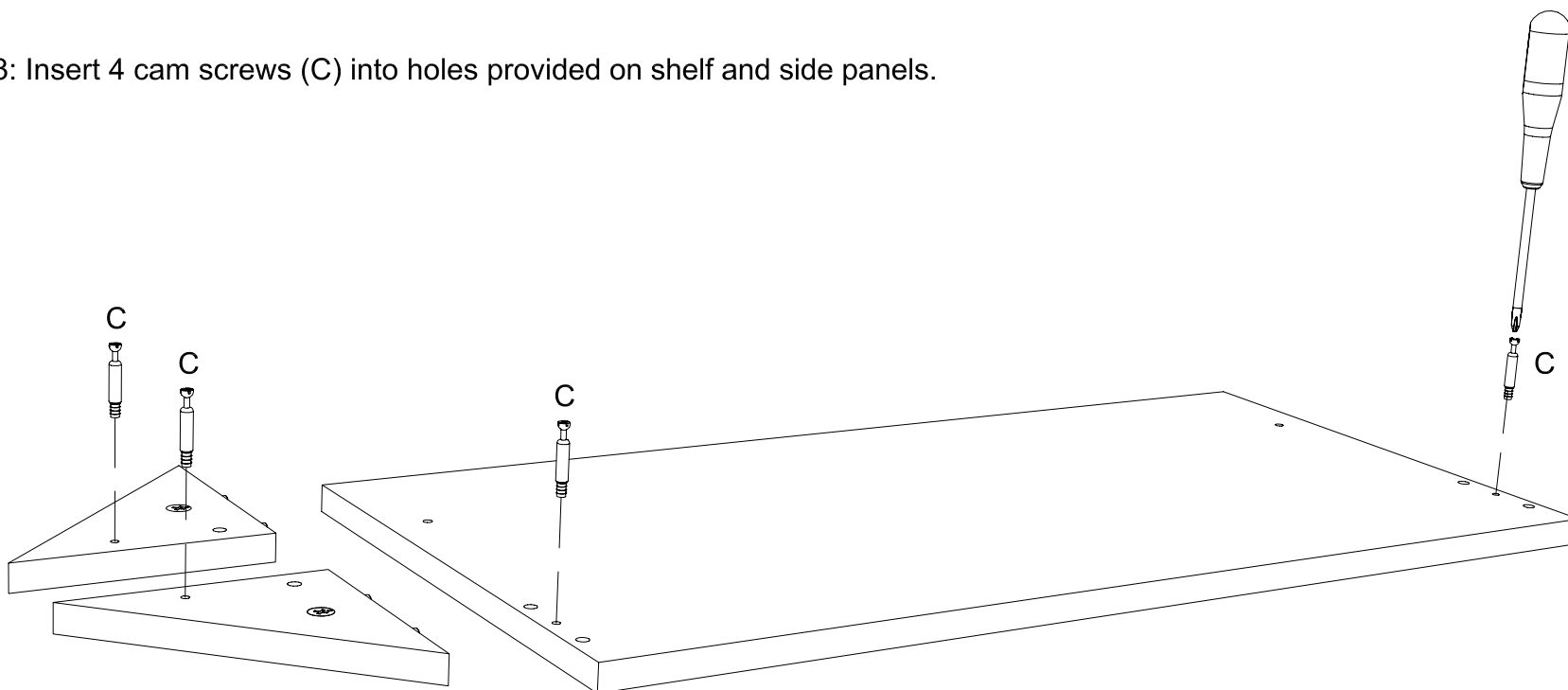
1: Tap in 6 wooden dowels (A) into back and side panels.



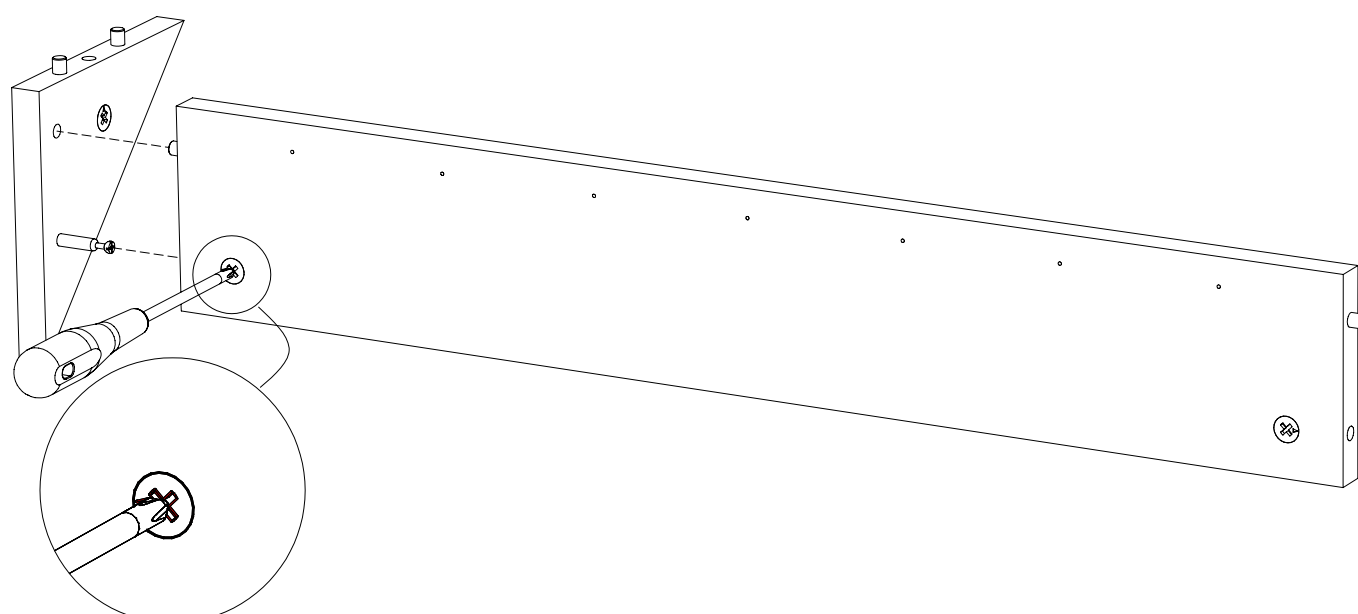
2: insert 4 cam locks (B). Make sure arrow on the face of each cam lock points in the direction of the hole on edge of panel.



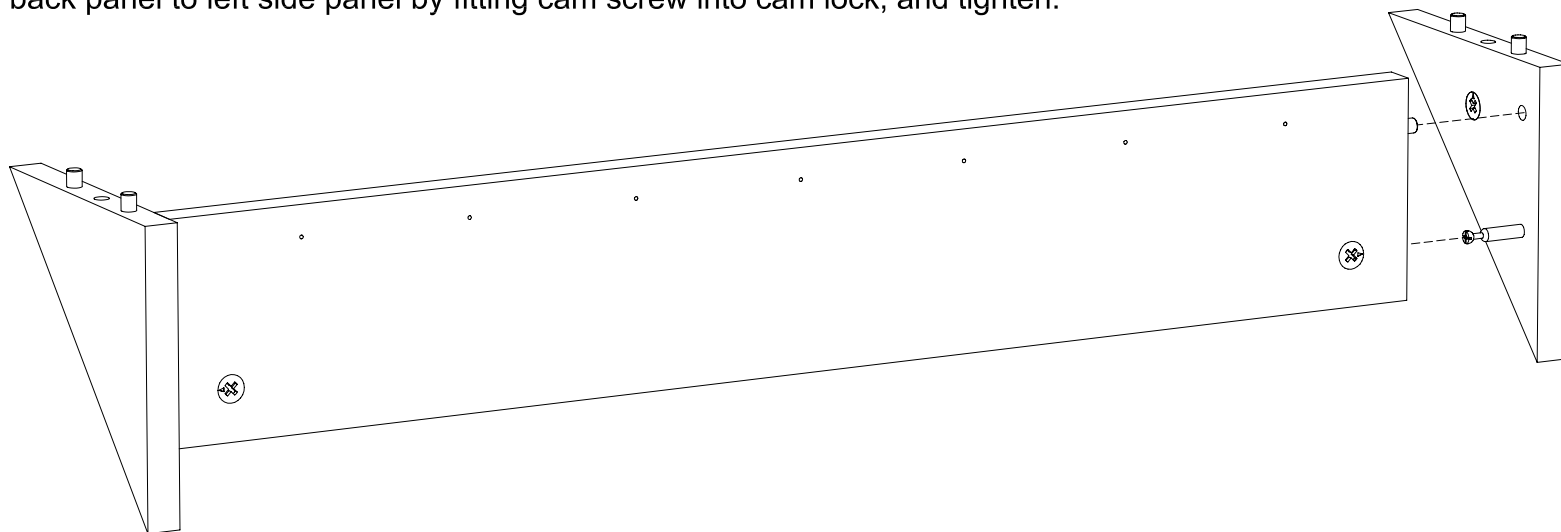
3: Insert 4 cam screws (C) into holes provided on shelf and side panels.



4: Fasten back panel to right side panel by fitting cam screw into cam lock and tighten with screwdriver.



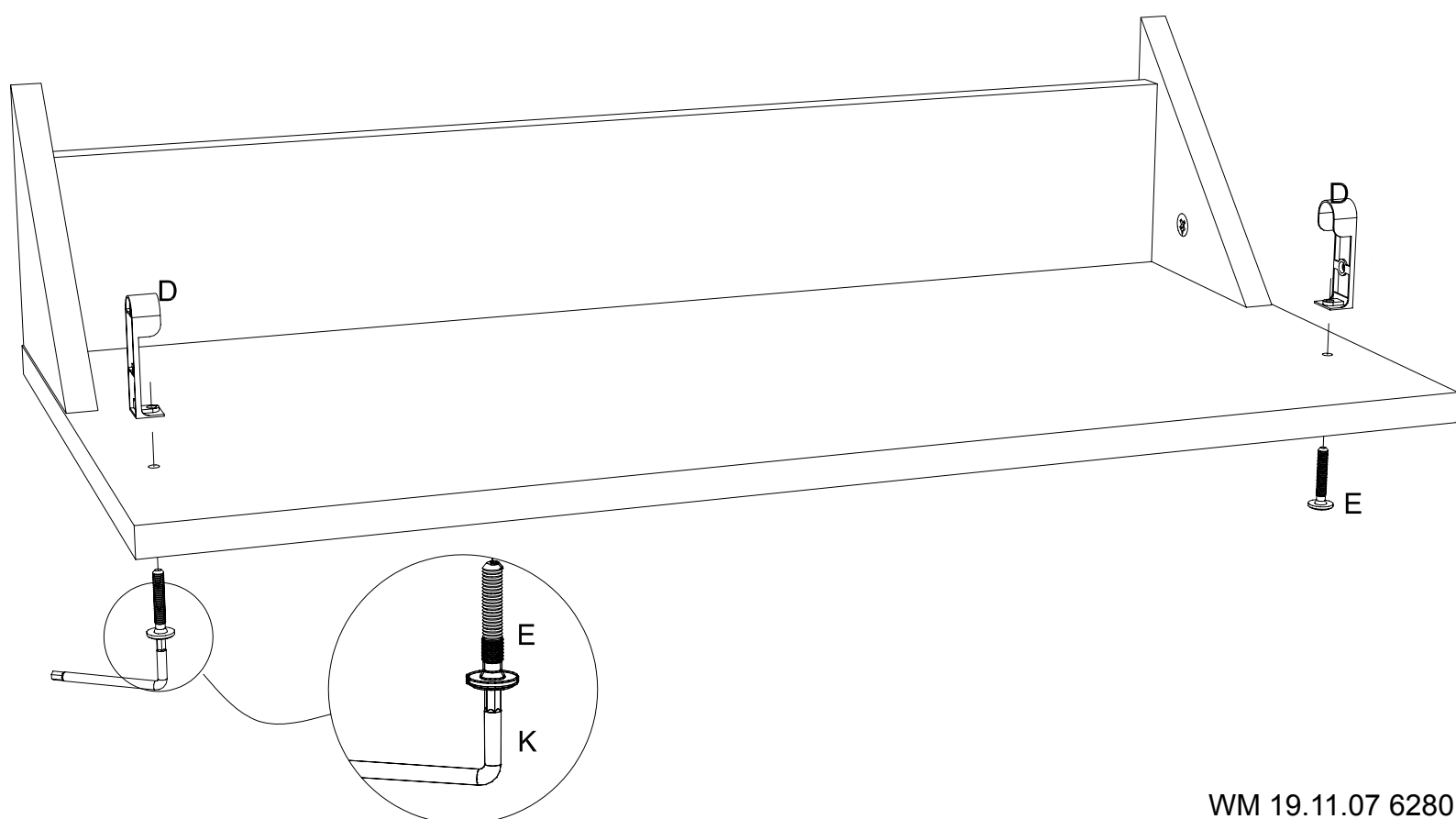
4: Fasten back panel to left side panel by fitting cam screw into cam lock, and tighten.



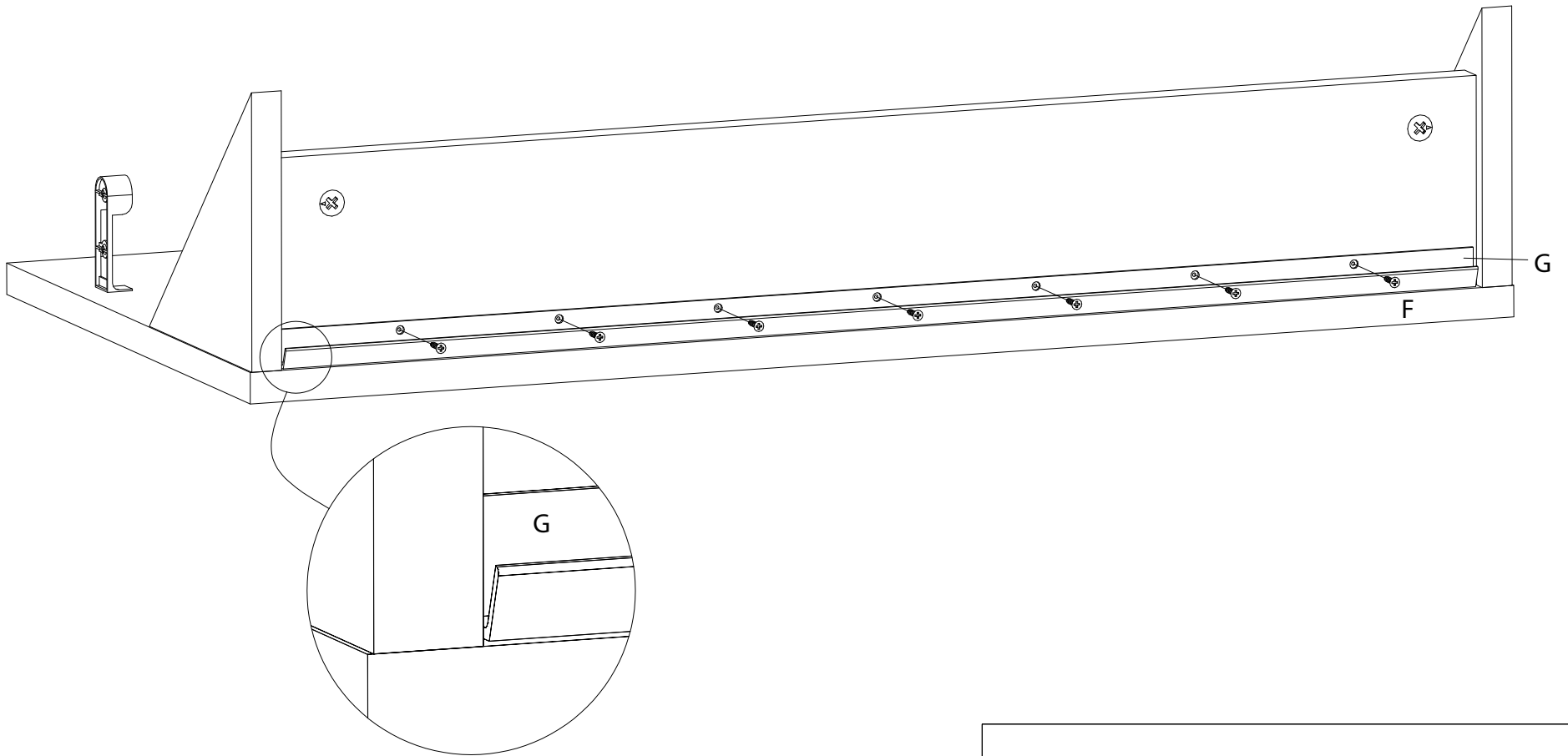
5: Lay top panel with underside facing up. Fasten top panel to unit from step 4 by fitting cam screws into cam locks, and tighten.



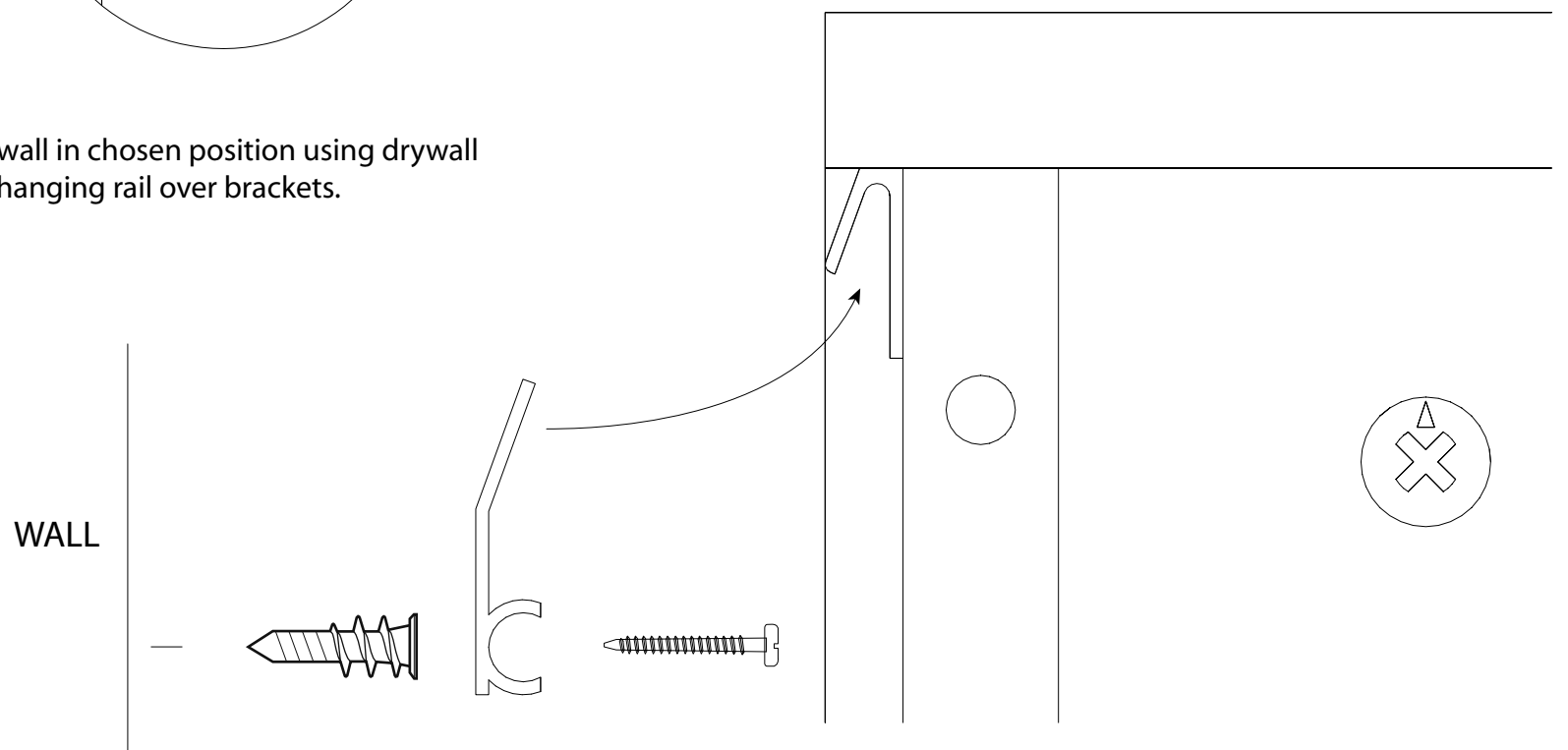
6: Attach wardrobe rail brackets (D) using connecting screws (E) inserted through holes.



7. Rotate so back of unit is facing you. Fasten hanging rail (G) using 7 screws (F).



8. Fasten hanging brackets to wall in chosen position using drywall anchors (K) and screws (L). Fit hanging rail over brackets.



9. Fit wardrobe rail (I) into supports (D).

