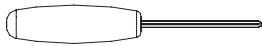


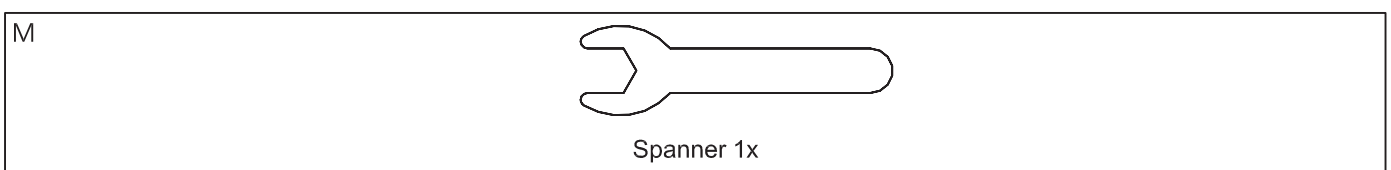
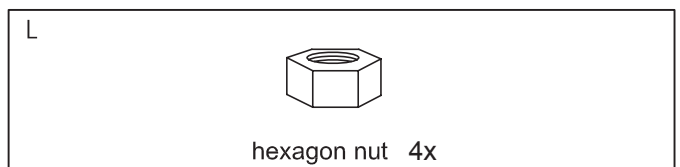
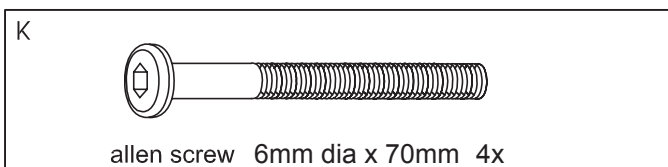
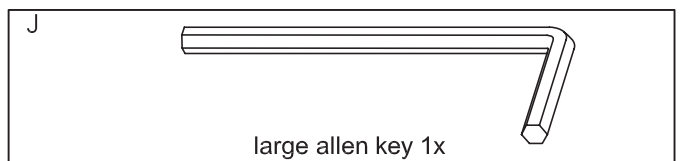
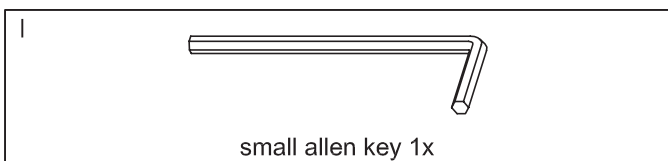
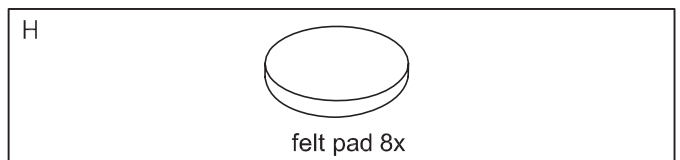
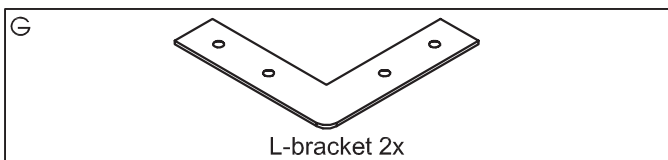
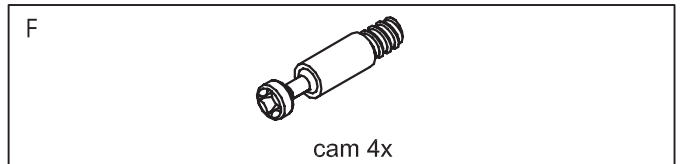
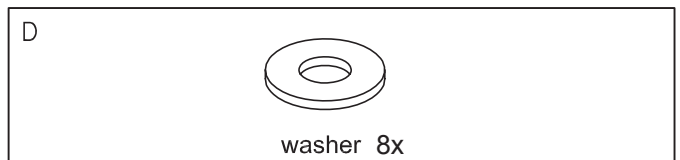
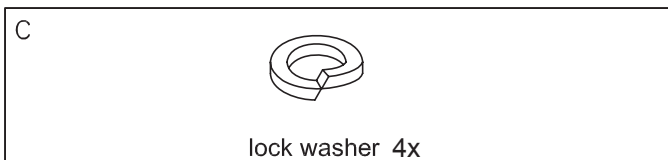
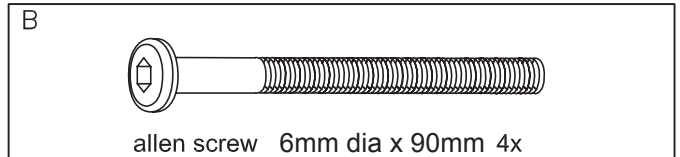
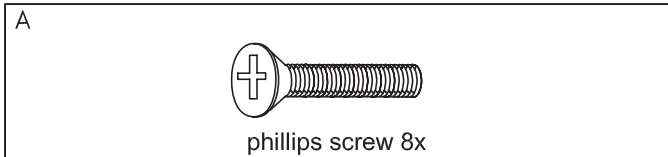
! Tools required:



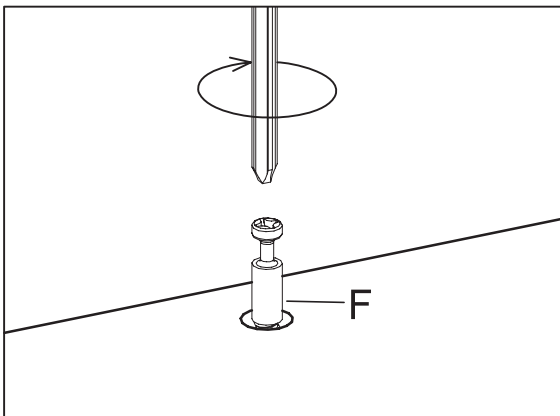
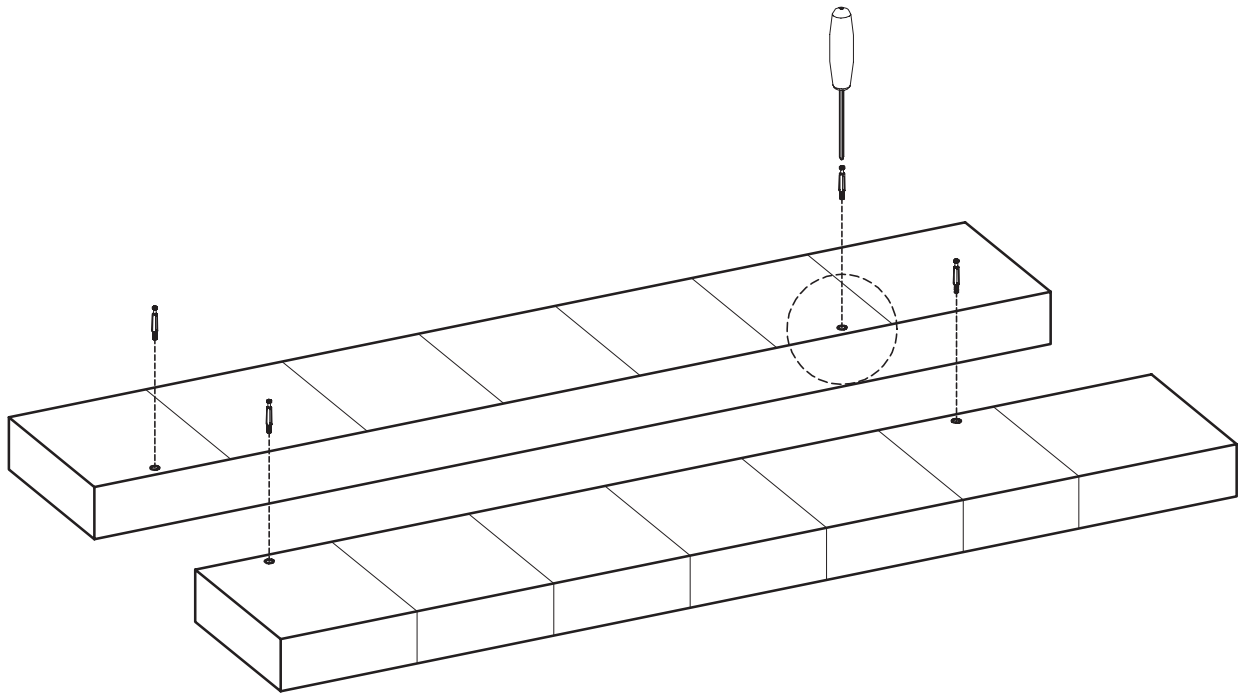
! Do not throw away packaging materials until assembly is complete.

! Assemble this item on a soft surface, such as cardboard or carpet, to protect finish.

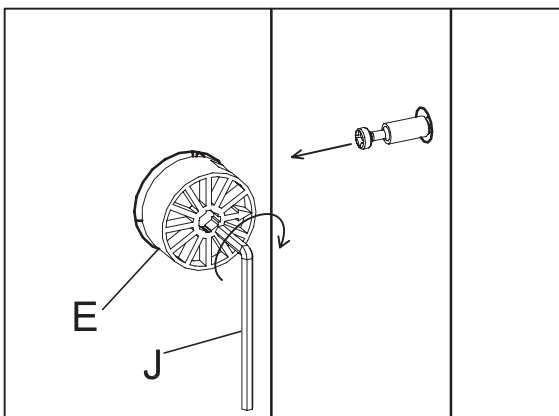
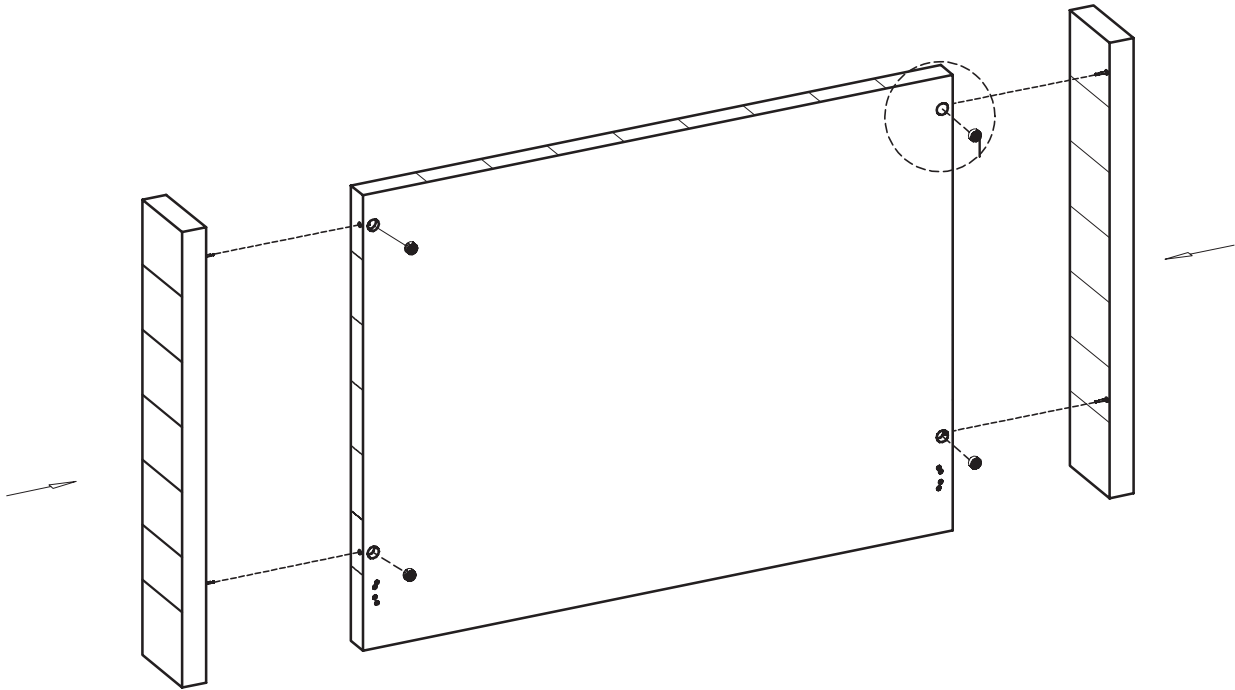
! Proper assembly of this item requires 2 people.



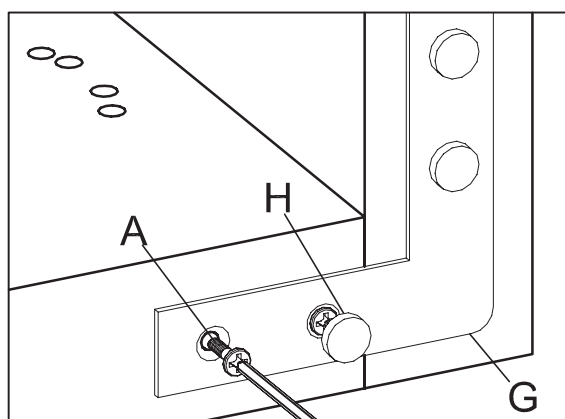
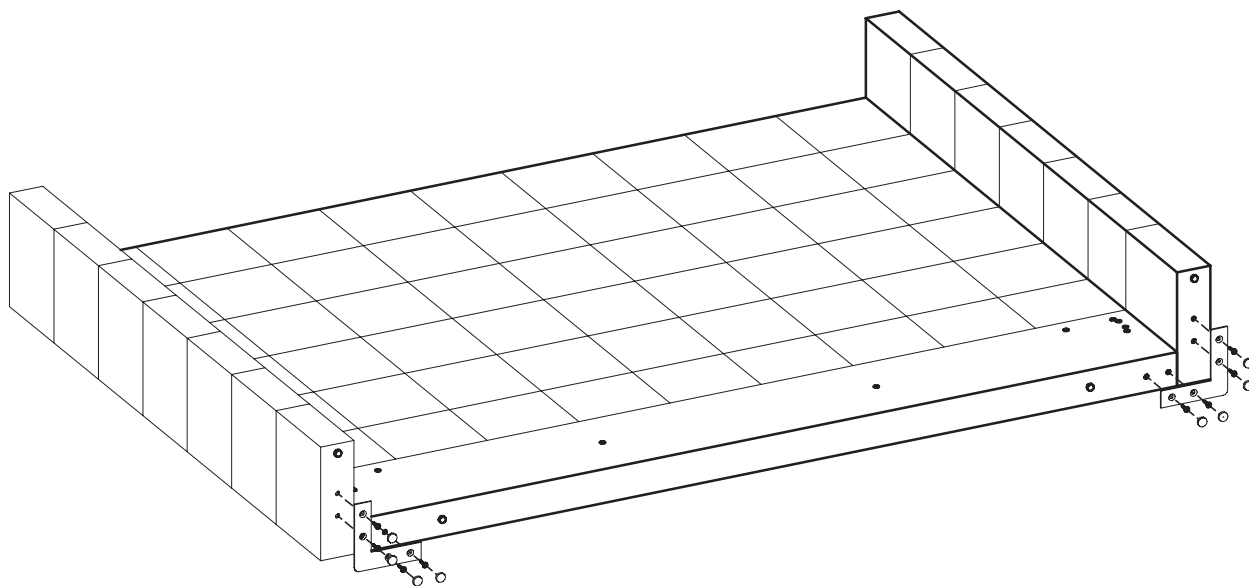
1. Fasten cams (F) into headboard wings using phillips screwdriver.



2. Insert cam lock (E) into back of headboard as shown. Insert wings into headboard and tighten cam locks using large allen key (J).



3. Fasten L-brackets (G) to headboard and wings using phillips screws (A). Tighten screws with phillips screwdriver.
4. Apply felt pads (H) over phillips screws as shown.

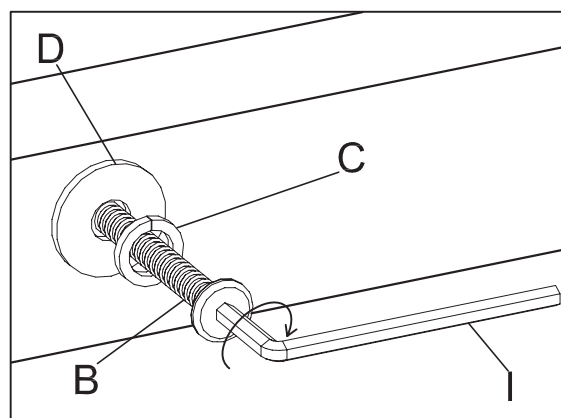
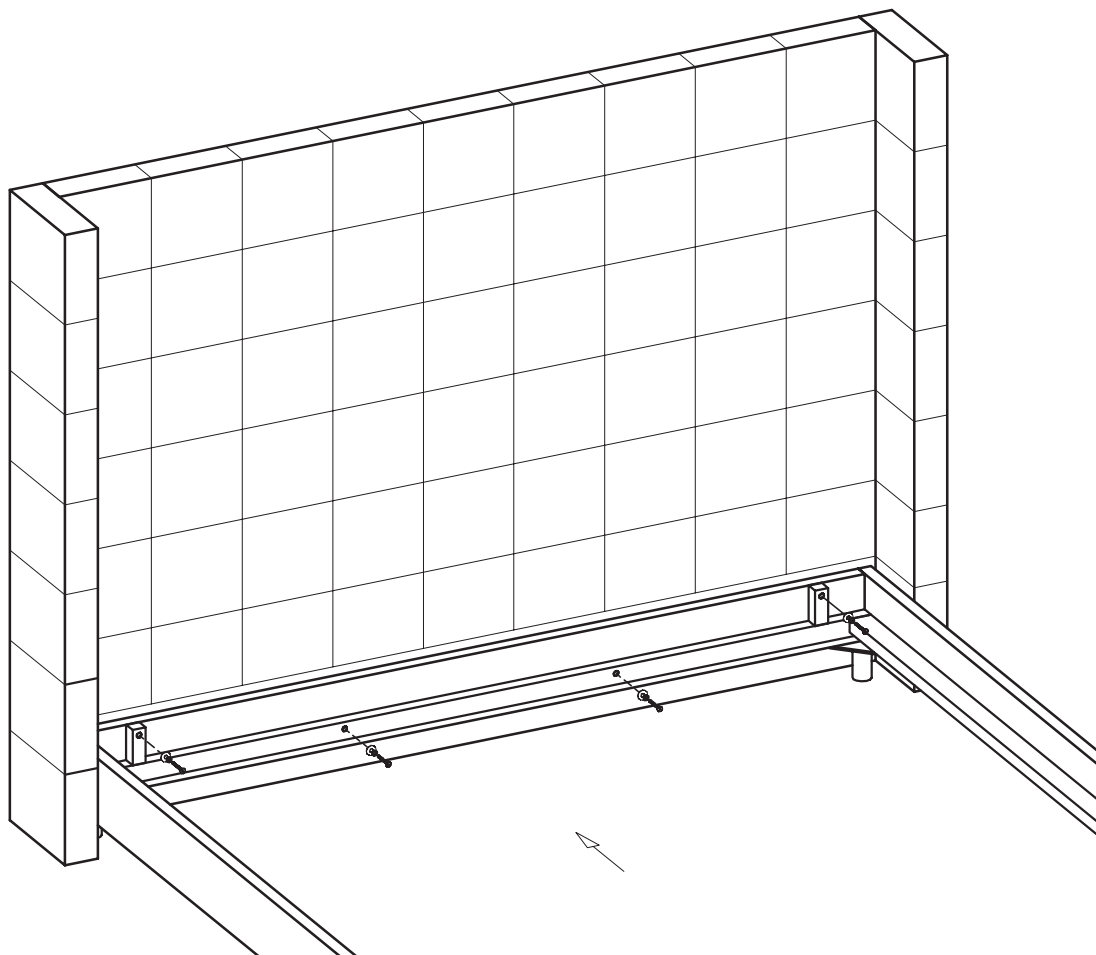


#### CARE INSTRUCTIONS

Hardware may loosen over time. periodically check that all connections are tight.

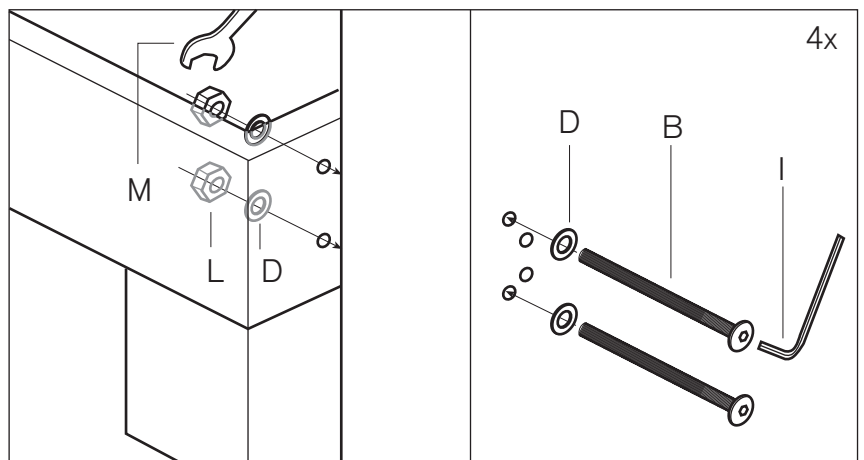
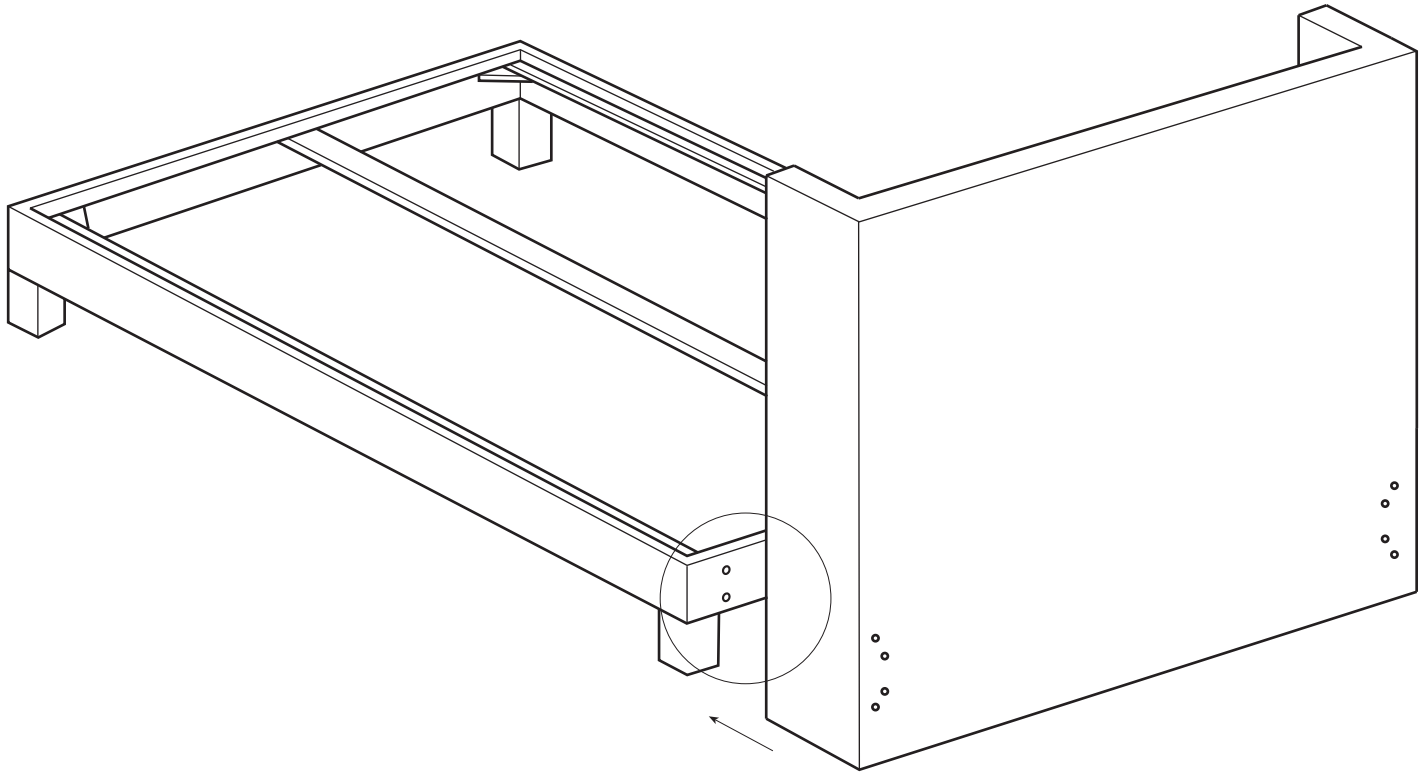
Wipe with a soft, dry cloth. To protect finish, avoid the use of chemicals and household cleaners.

5. Fasten headboard to bed frame (upholstered) using washer (D), lock washer (C), and allen screw (B) in order as shown. Tighten screw with small allen key (I).



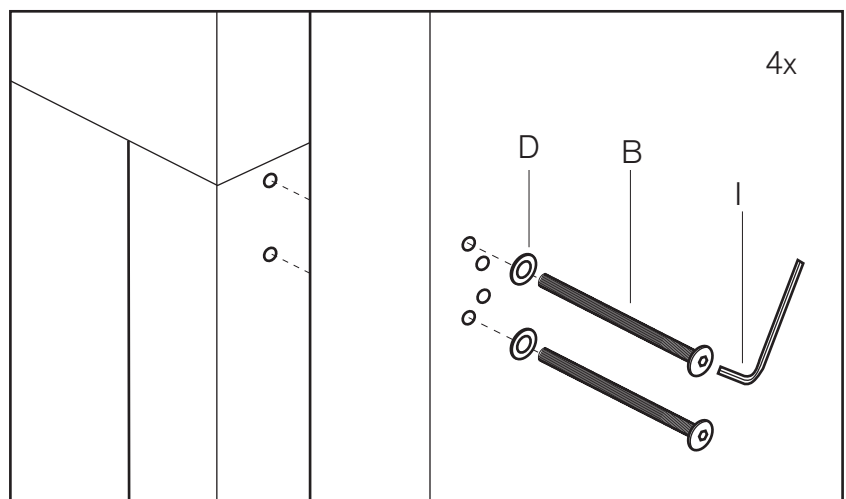
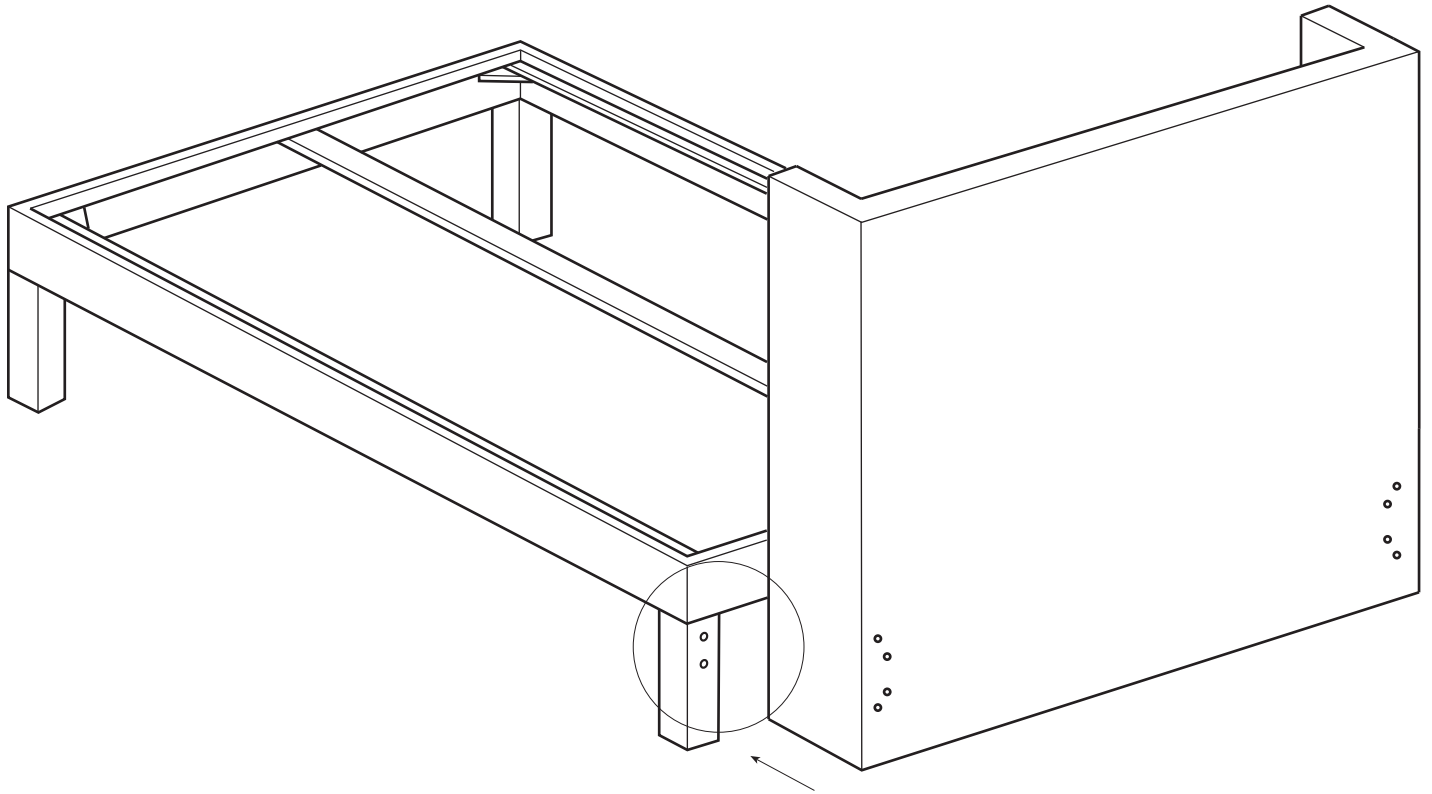
Attaching the headboard to wood bed frame:

1. Align hardware as shown and tighten.



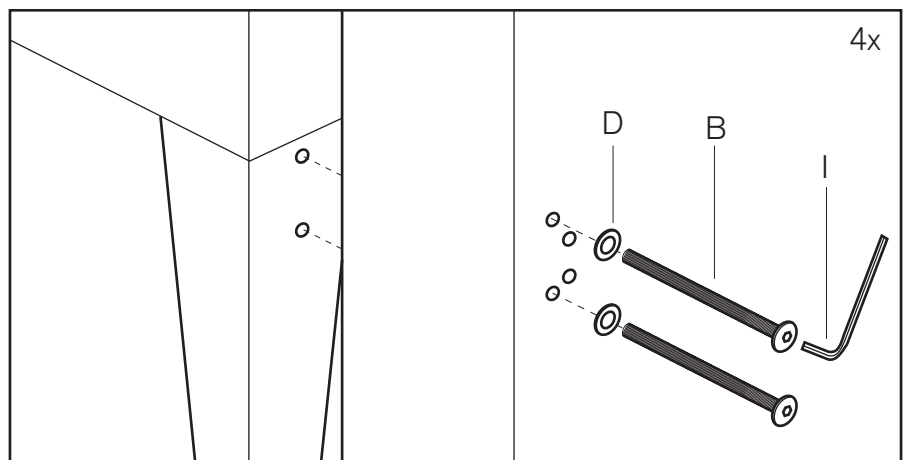
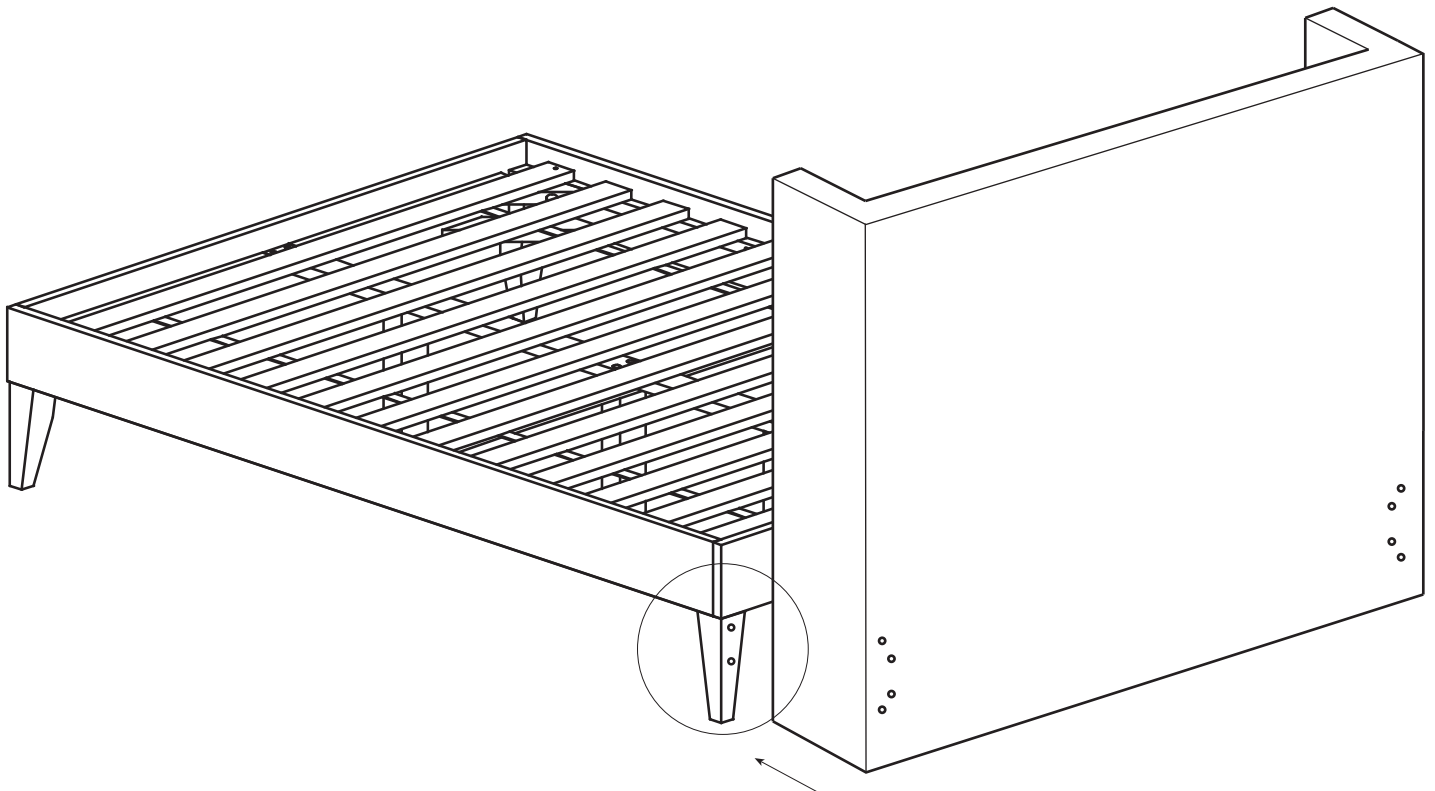
Attaching the headboard to tall wood bed frame:

1. Align hardware as shown and tighten.



Attaching the headboard to narrow leg bed frame

1. Align hardware as shown and tighten.





Attaching the headboard to standard metal frame:

1. Align hardware as shown and tighten.

