
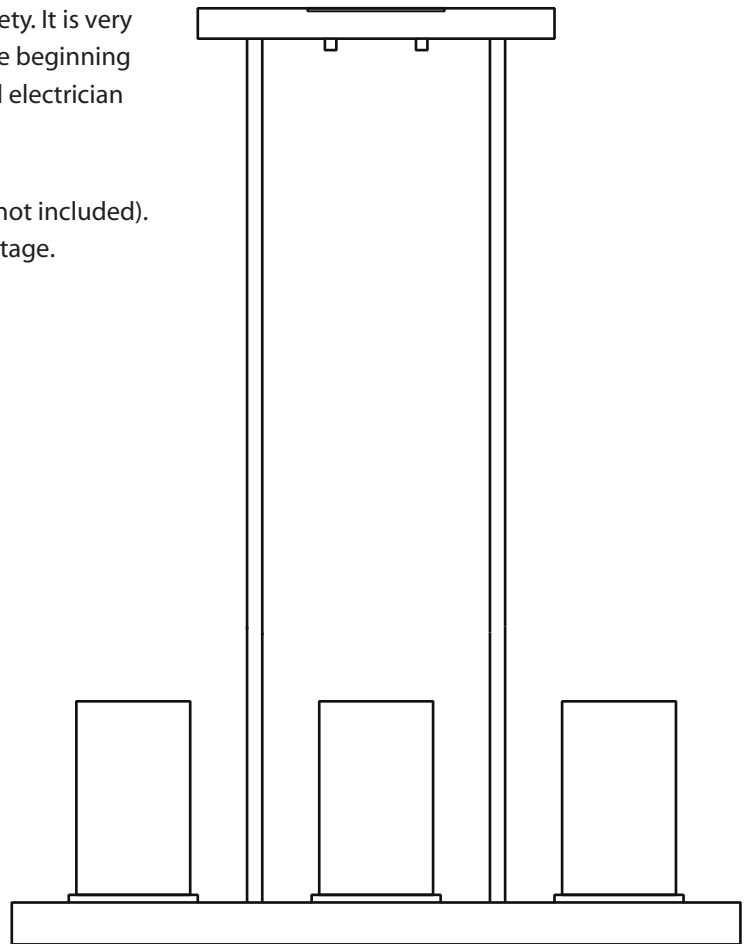


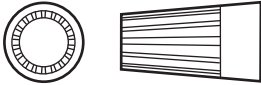

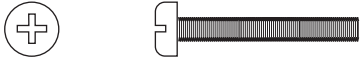
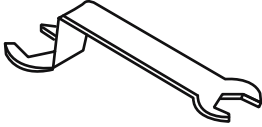
! Tools required: 

! BEFORE INSTALLATION:

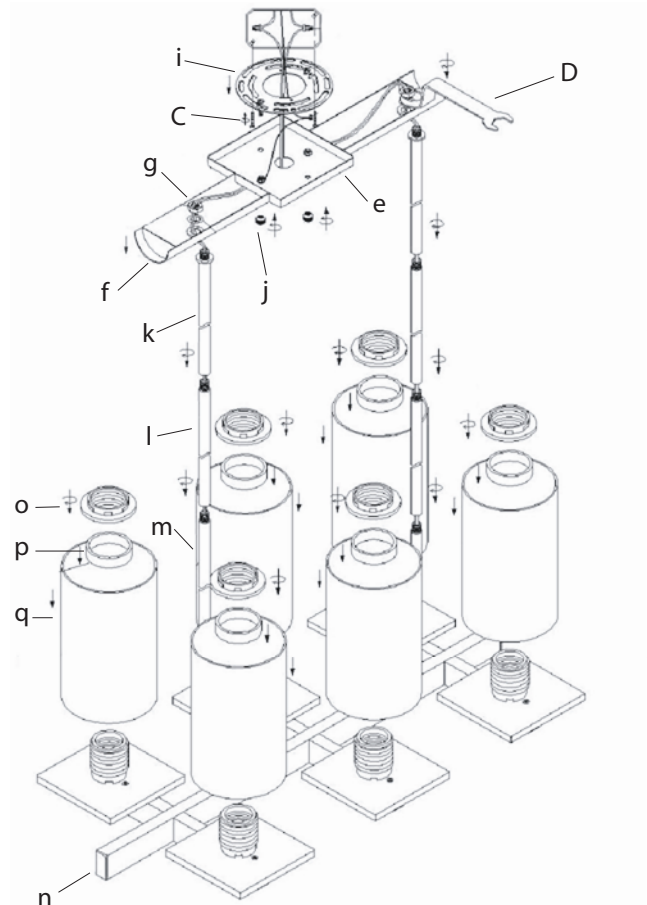
Please note that these instructions are provided for your safety. It is very important that they are read carefully and completely before beginning installation of the lamp. We strongly suggest that a qualified electrician install all direct-wired fixtures.

! This fixture is rated for six MAXIMUM 40 WATT type B bulb (not included). To prevent the risk of fire, do not exceed recommended wattage.



<p>A</p>  <p>wire cap 2x</p>
<p>B</p>  <p>grounding screw 1x</p>
<p>C</p>  <p>mounting screw 2x</p>
<p>D</p>  <p>wrench 1x</p>

1. SHUT OFF THE MAIN ELECTRICAL SUPPLY AT THE FUSE BOX / CIRCUIT BREAKER.
2. Carefully place glass shade (q) on wood.
3. Place plastic ring (p) onto socket.
4. Screw socket ring (o) onto socket.
5. Insert lightbulb.
6. Repeat shade installation.
7. Screw pole (m) into square base (n). screw pole (l) onto pole (m). screw pole (k) onto pole (l). Insert pole (k) through canopy (f) and into nut (g). Tighten using wrench (D). Repeat for other side.
8. Carefully inspect the fixture wires. The NEUTRAL FIXTURE WIRE is white. The HOT FIXTURE WIRE is black. The yellow-green wire is the GROUND WIRE.
9. Attach the ground wire from the fixture to the ground junction box wire from the outlet (usually green or bare wire). Fasten each together with a wire cap (A) and wrap the connection with electrical tape. Be sure that no wire strands are exposed. If your outlet box does not have a ground wire, be sure to insert the green ground screw (B) into the mounting plate (e) facing down, and wrap the fixture's bare ground wire around the ground screw. IT IS IMPERATIVE THAT THE OUTLET BOX IN YOUR HOME BE PROPERLY GROUNDED.
10. Connect the neutral fixture wire to the neutral junction box wire (usually white). Fasten the pair together with a wire cap (A) and wrap the connection with electrical tape. Be sure that no wire strands are exposed.
11. Connect the hot fixture wire to the hot junction box wire (usually black). Fasten the pair together with a wire cap (A) and wrap the connection with electrical tape. Be sure that no wire strands are exposed. DO NOT REVERSE THE HOT AND NEUTRAL CONNECTIONS OR SAFETY WILL BE COMPROMISED.
12. Gently tuck the wire connections into the junction box.
13. Attach the mounting plate (i) to the junction box using the enclosed mounting screws (C). Tighten screws with a screwdriver.
14. Pull canopy (e) up over the mounting plate (i), align the hole in the mounting plate with the hole in the canopy.
15. Insert the canopy screw (j) and tighten by hand.



IMPORTANT SAFETY INSTRUCTIONS

! Turn off and let cool before replacing bulb

CARE INSTRUCTIONS.

! SAVE THESE INSTRUCTIONS.

To clean, wipe with a soft dry cloth only.

Do not use abrasive cleaners.

Do not immerse fixture in water. Doing so will damage the wiring.