

| Tools required:

| Do not throw away packaging materials until assembly is complete.

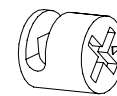
| Assemble this item on a soft surface, such as cardboard or carpet, to protect finish.

A



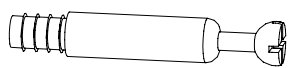
8x30 mm wooden dowels 24x

B



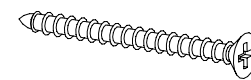
small cam locks 6x

C



cam screws 10x

D



3.5x40 mm long screws 12x

E



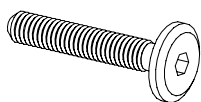
3.5x25 mm medium screws 6x

F



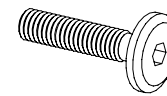
3x12 mm short screws 12x

G



6x40 mm medium connecting screws 8x

H



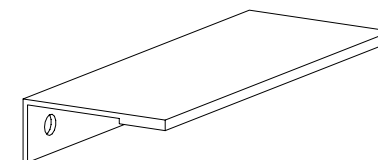
6x30 mm short connecting screws 4x

I



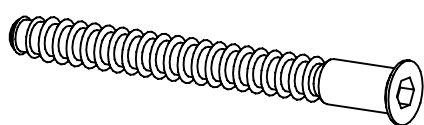
4x9 mm drawer rail screws 6x

J



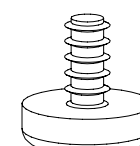
drawer handle 6x

K



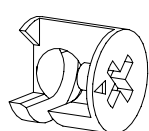
7x70 mm connecting screws 4x

L



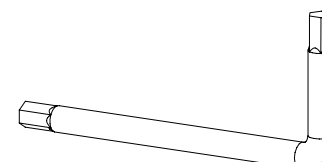
6x25 mm level adjust screws 4x

M



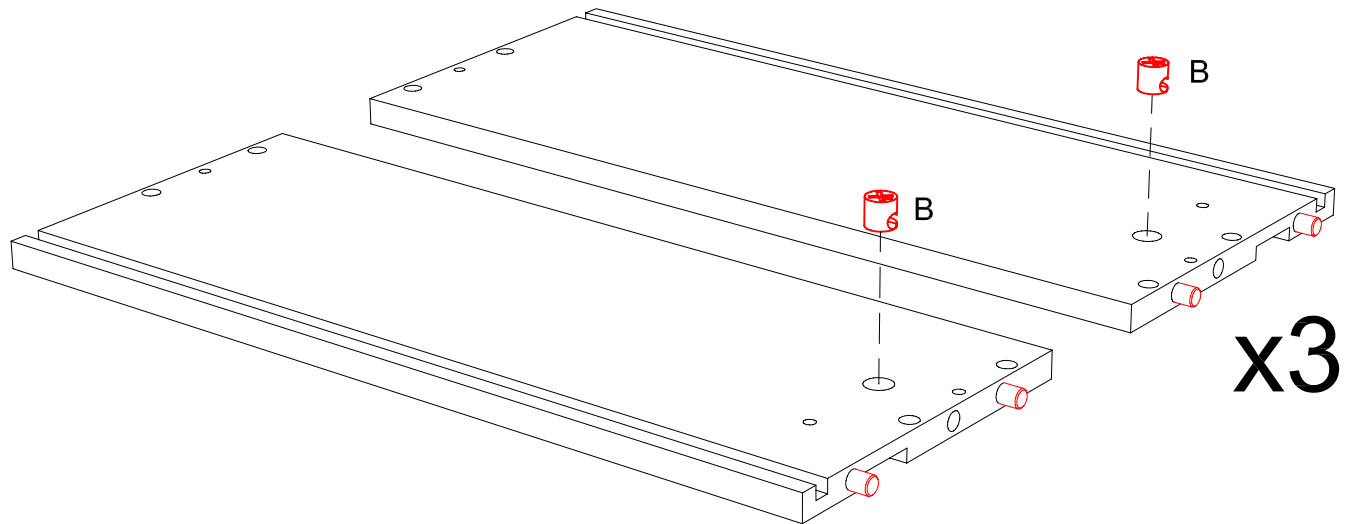
large cam locks 4x

N

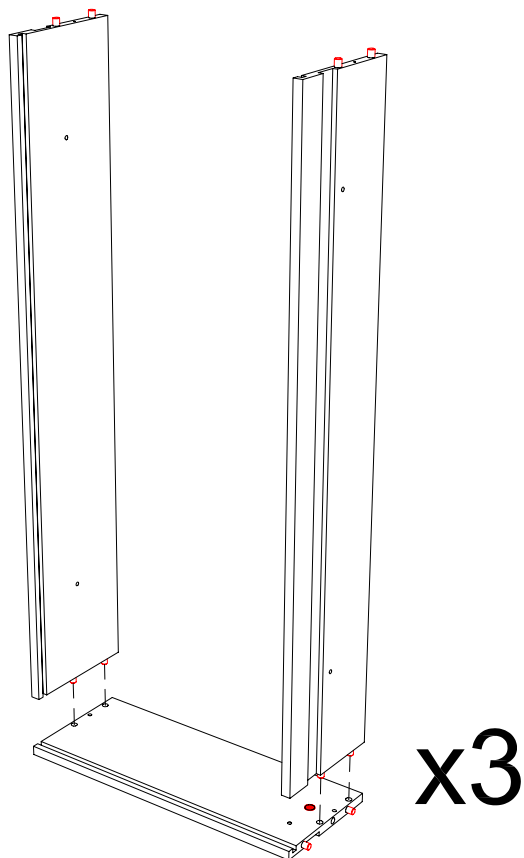


Allen Key

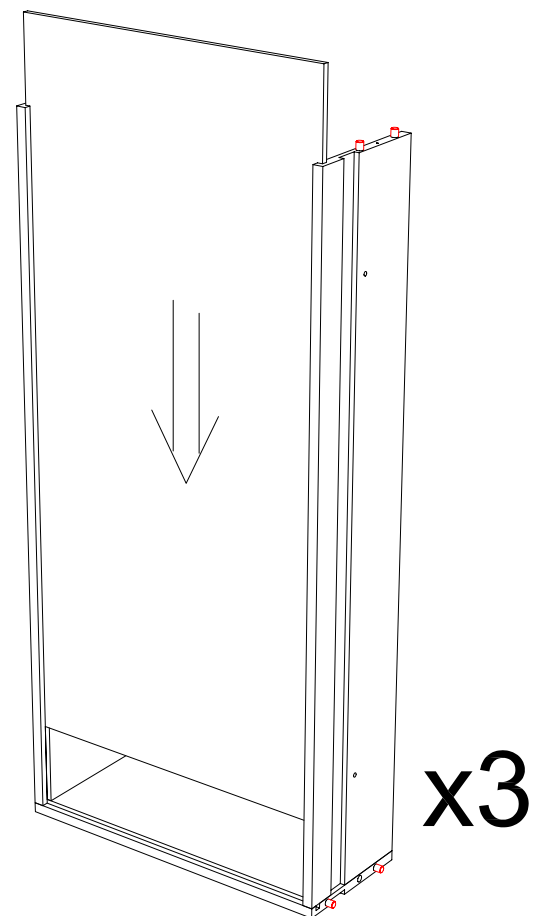
1: Insert 2 small cam locks (B) into drawer side panels.



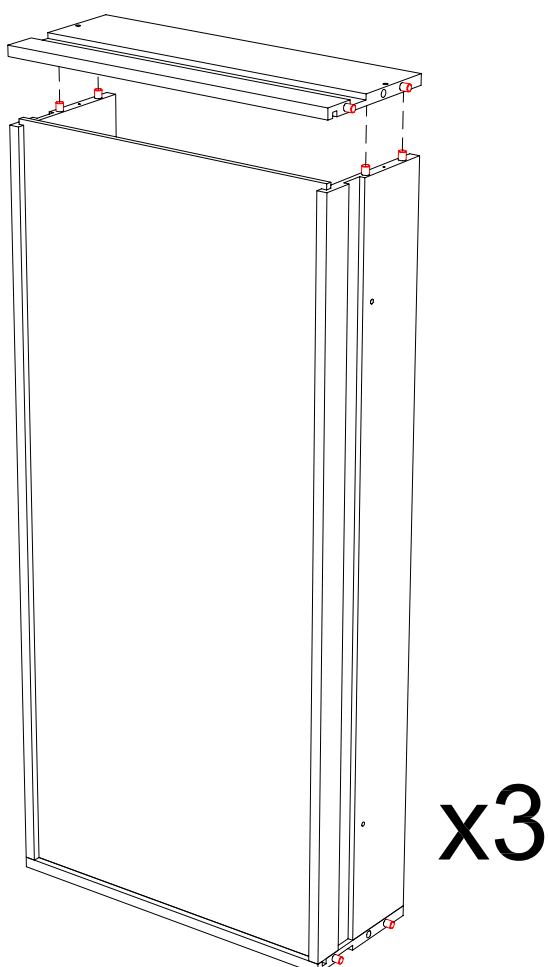
2: Attach drawer front and back panels to right drawer side panel using factory installed dowels.



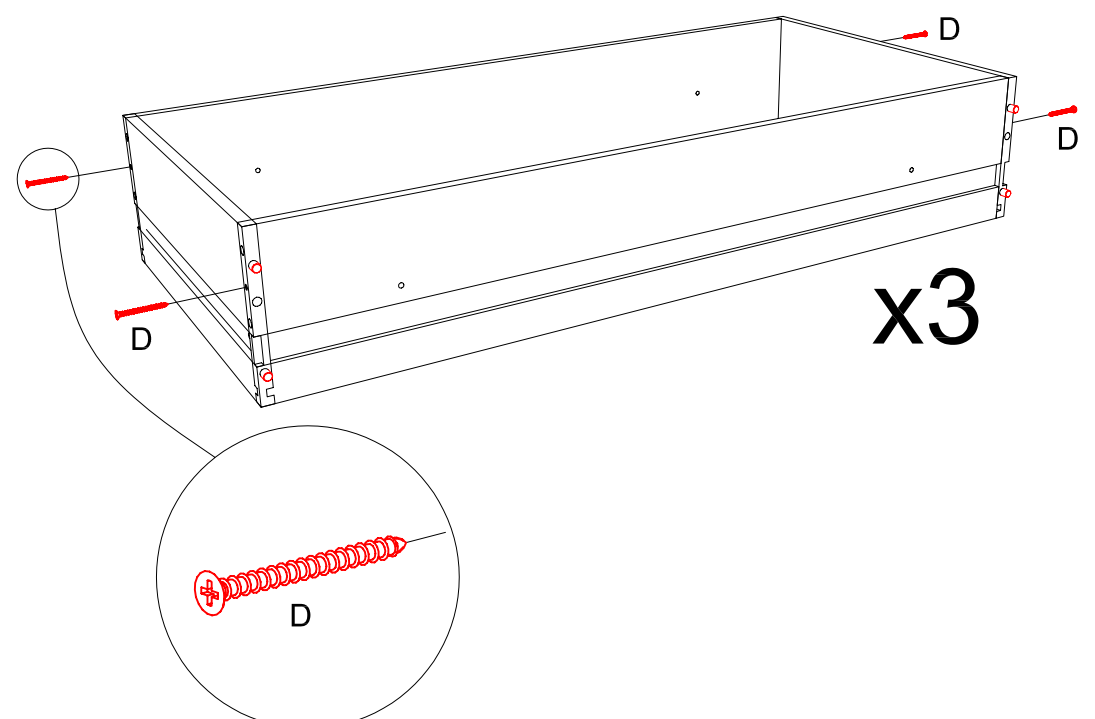
3: Slide drawer bottom into groove inside front and back panels.



4: Attach left drawer side panel to drawer front and back panels using factory installed dowels.



5: insert 4 long screws (D) into holes provided on drawer sides to complete assembly of drawer box.

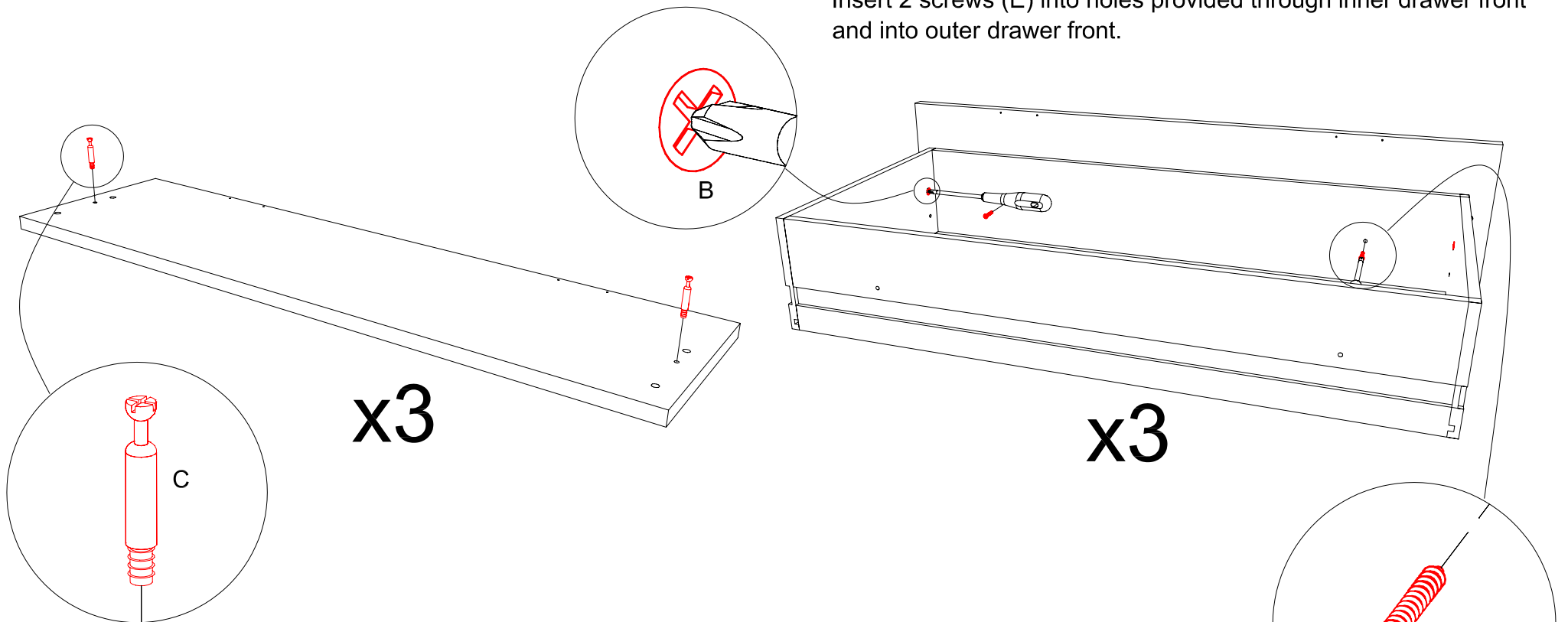


6: Insert 2 cam screws (C) into holes provided in drawer front.

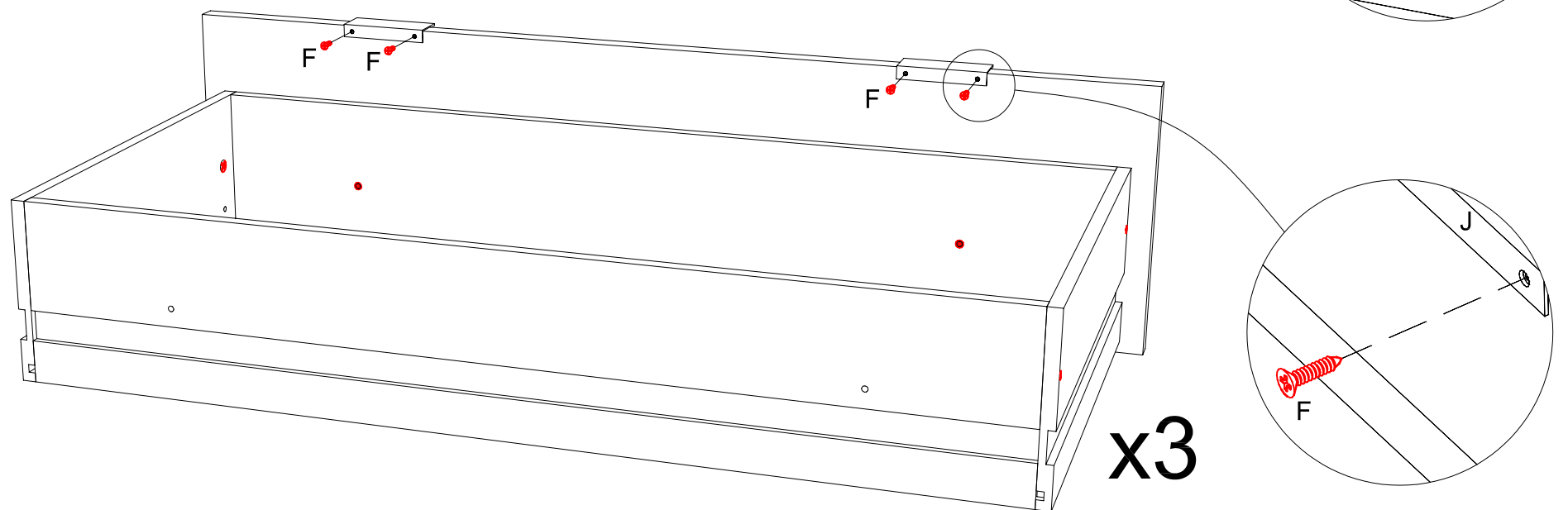
7: Attach front drawer panel to assembled drawer box.

Fasten small cam locks.

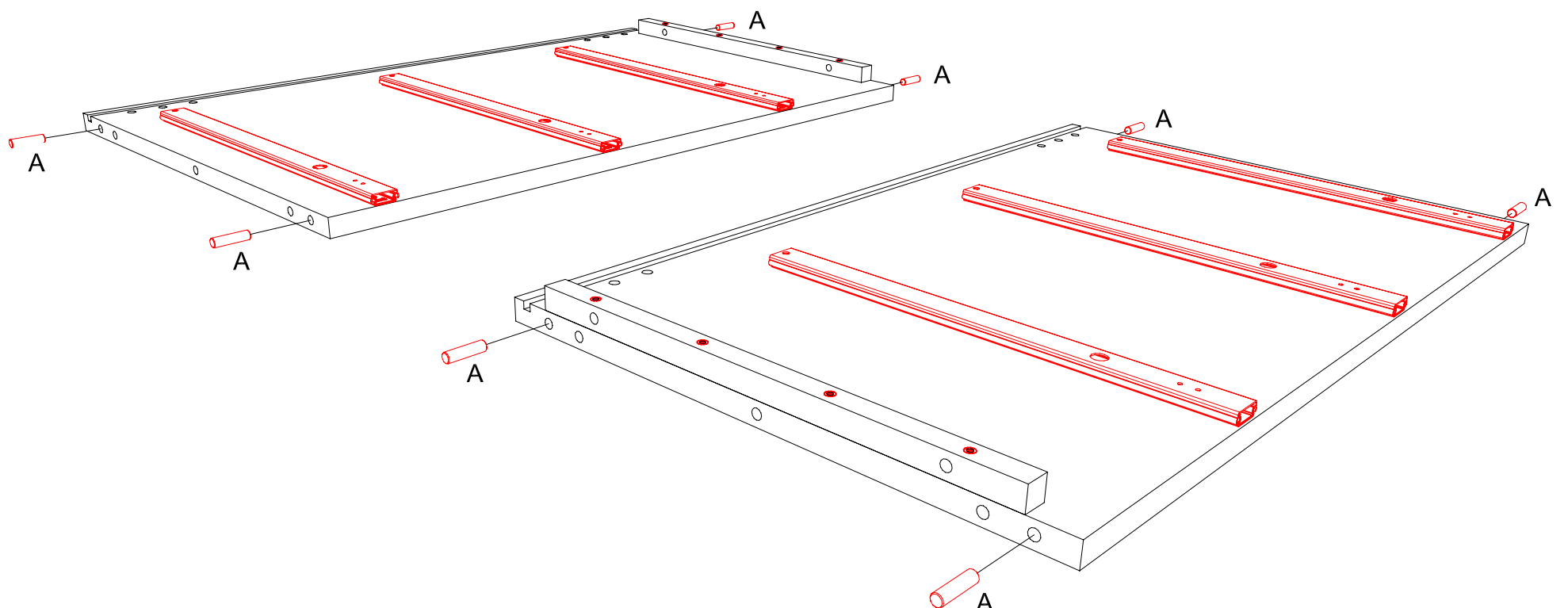
Insert 2 screws (E) into holes provided through inner drawer front and into outer drawer front.



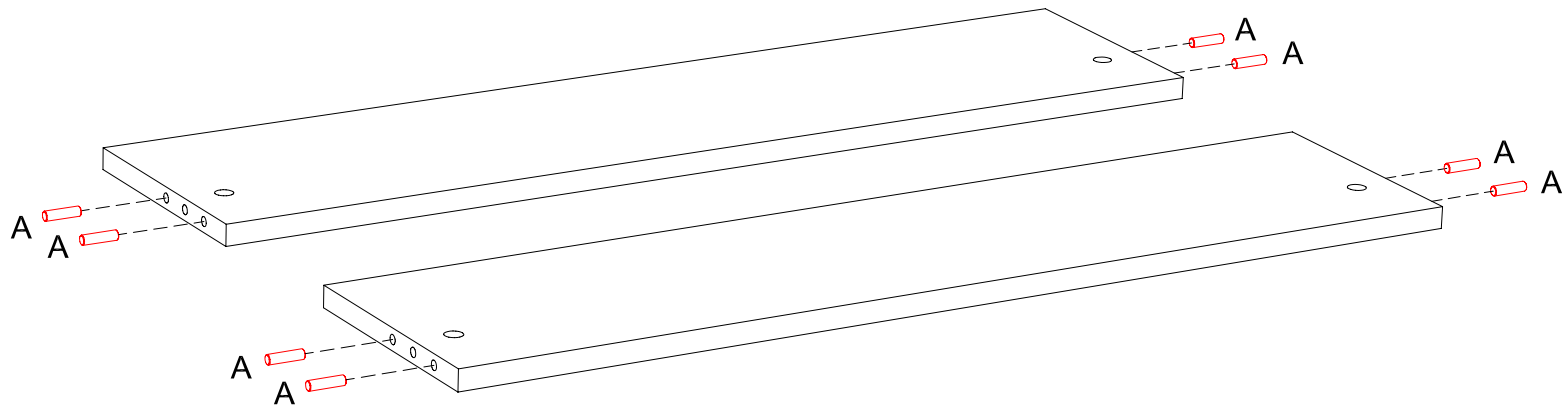
8: Attach 2 drawer handles (J) to upper edge on drawer front panel using 4 short screws (F) inserted through back side drawer front.



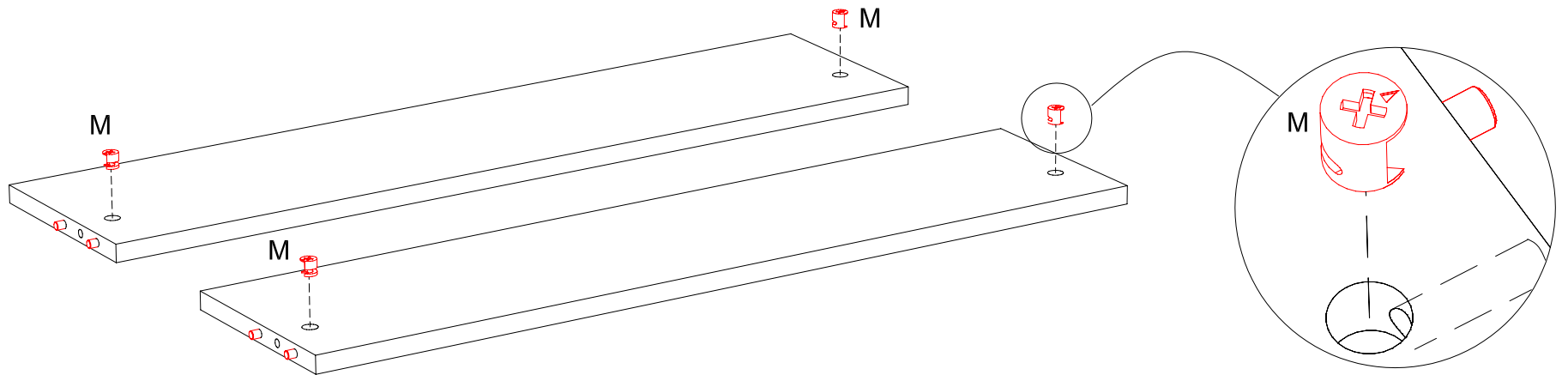
9: Insert 8 wooden dowels (A) into holes provided on side panels. Use the front hole and the back hole for these 8 dowels.



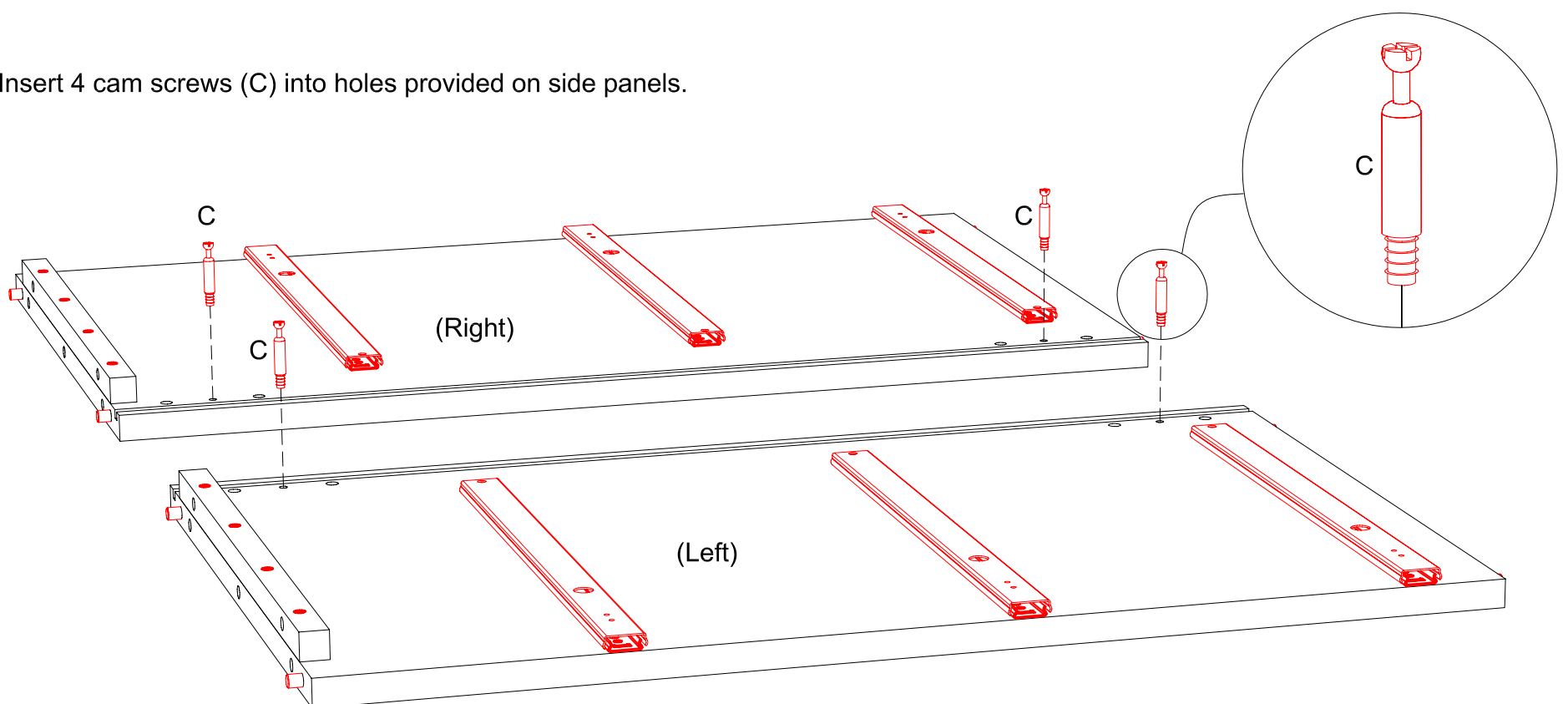
10: Insert 8 wooden dowels into holes provided on back panel slats.



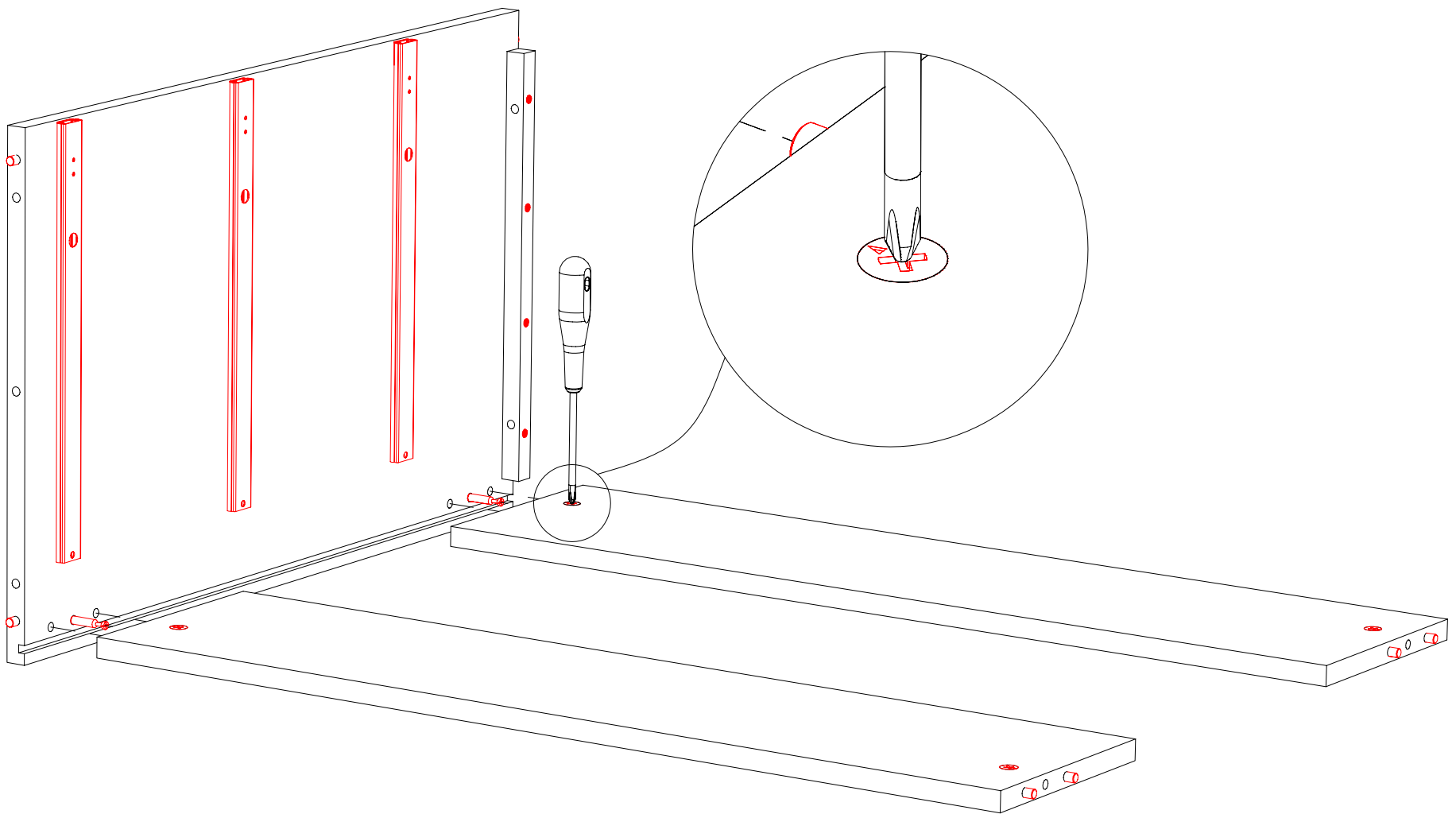
11: Insert 4 large cam locks (M) into holes provided on back panel slats.  
The arrow on cam locks must face in direction of hole on edge of back panel see insert.



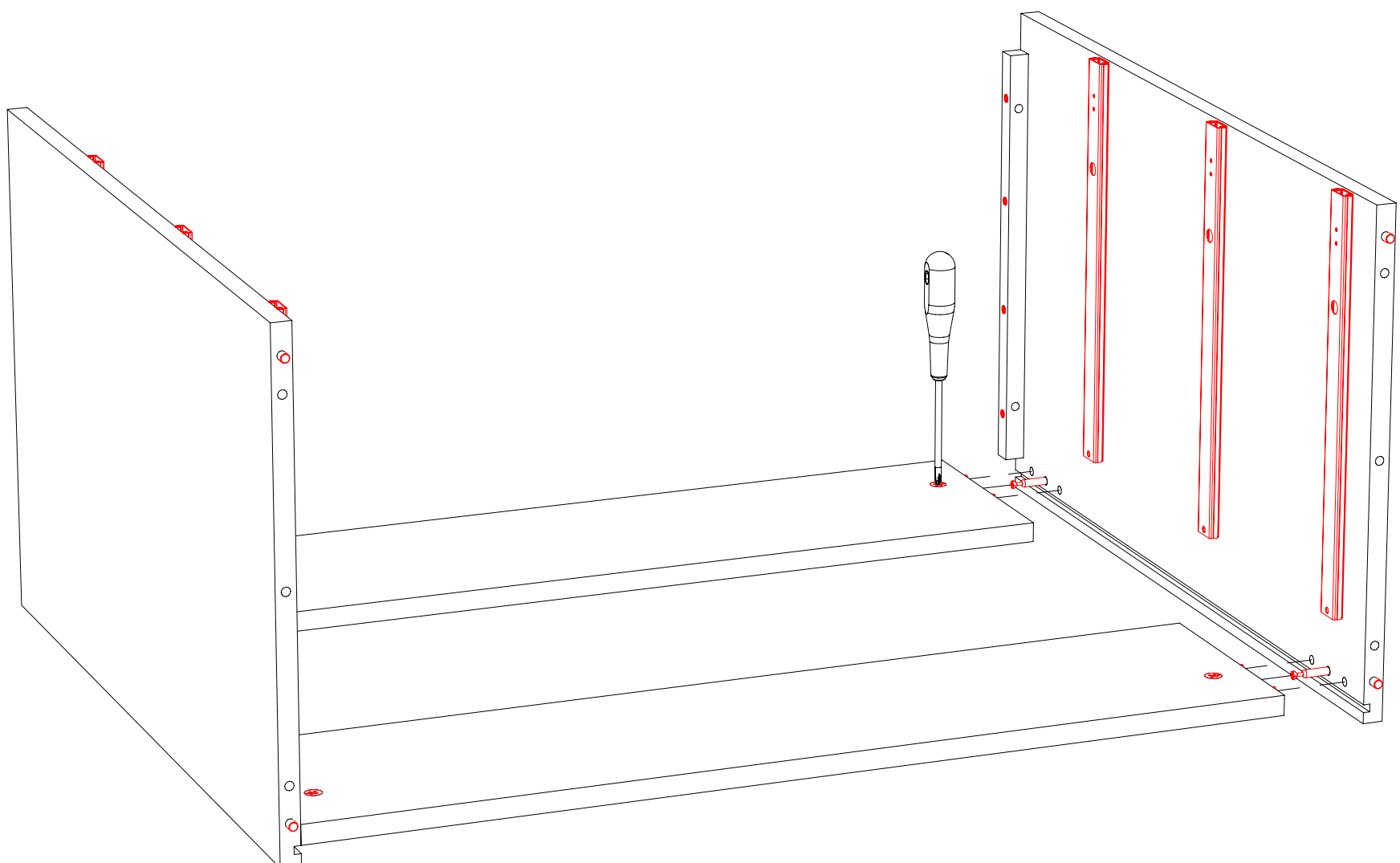
12: Insert 4 cam screws (C) into holes provided on side panels.



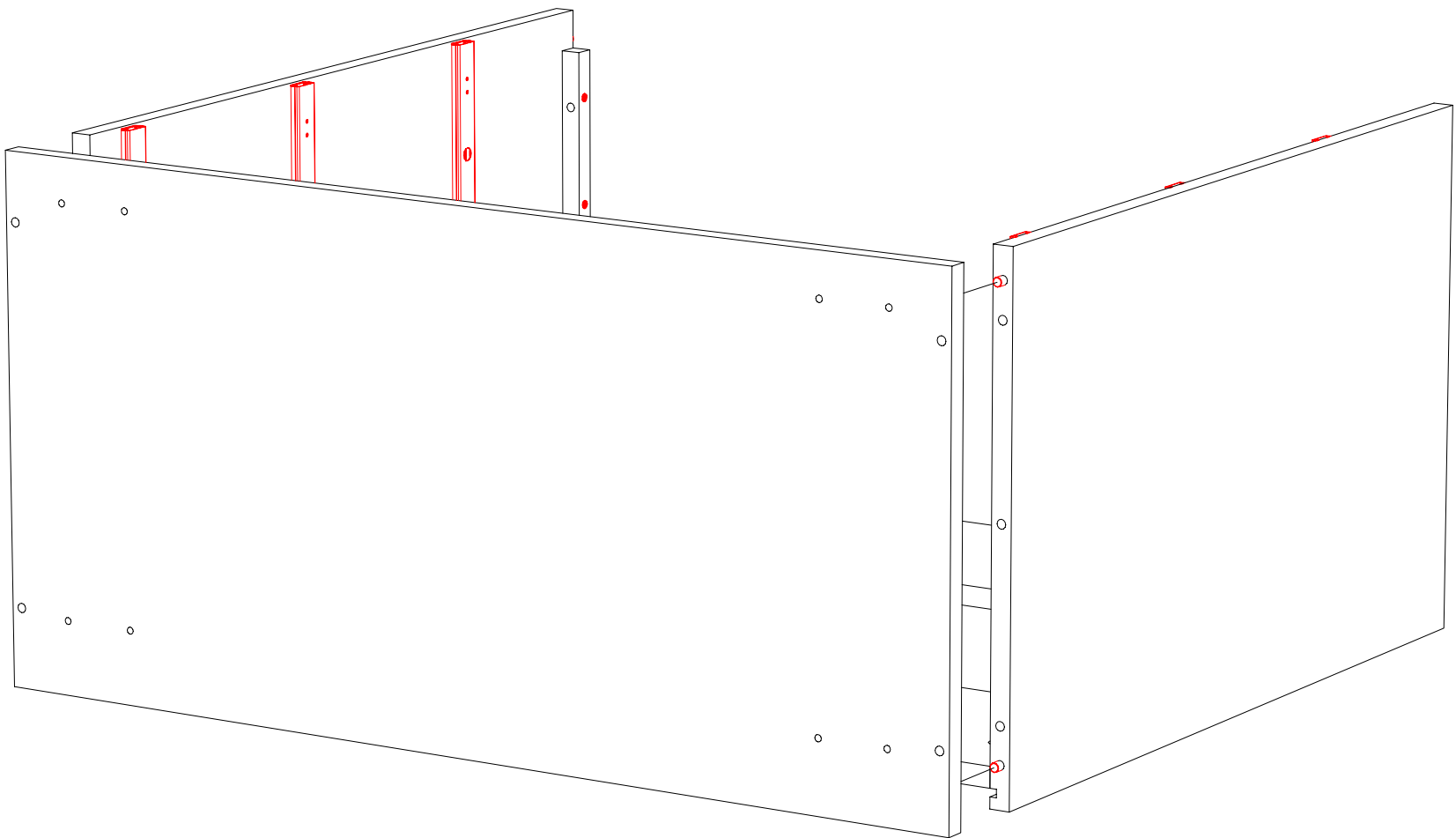
13: Attach back panel slats into holes provided inside left side panel. Fasten cam locks with screwdriver.



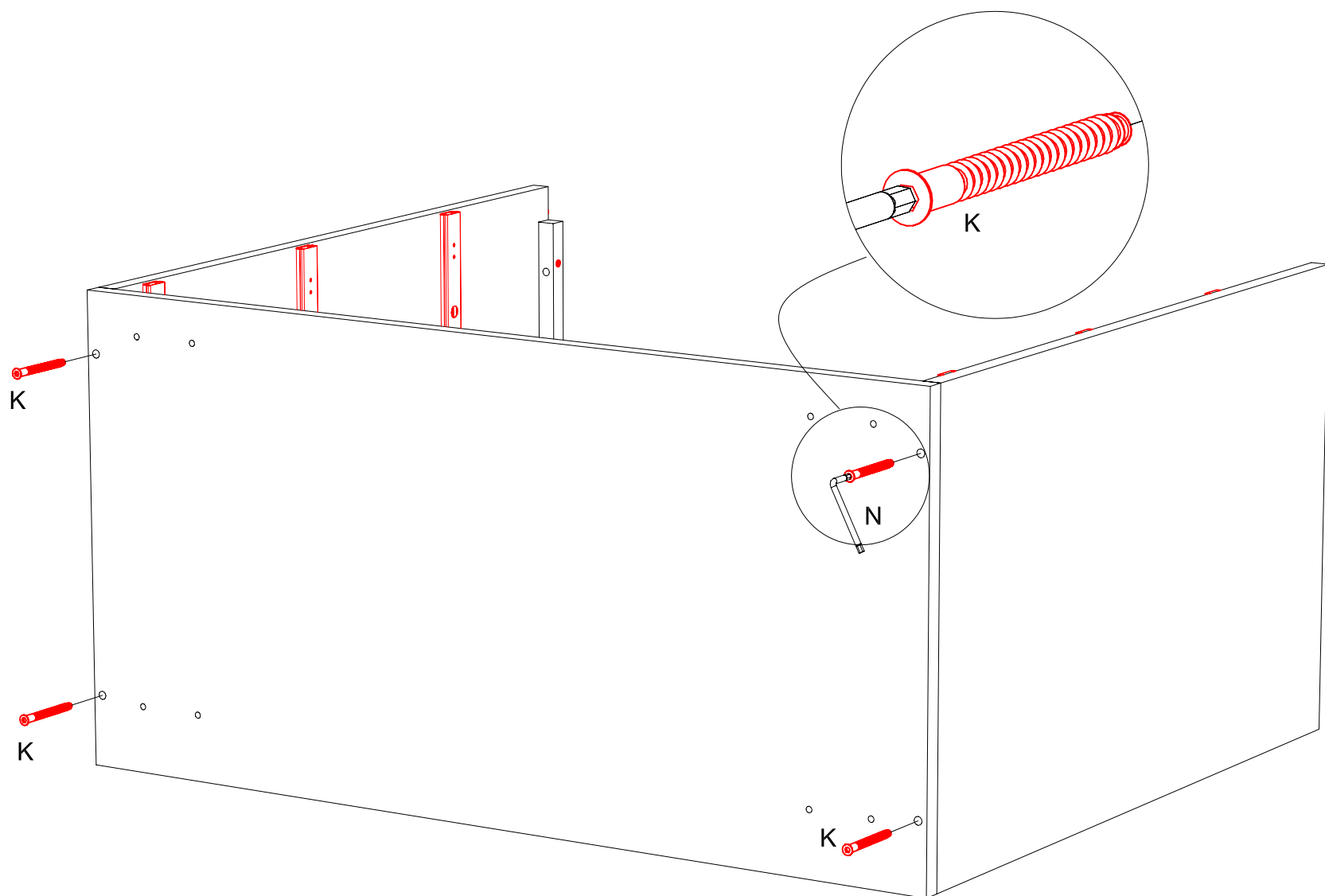
14: Attach back panel slats into holes provided inside right side panel. Fasten cam locks with screwdriver.



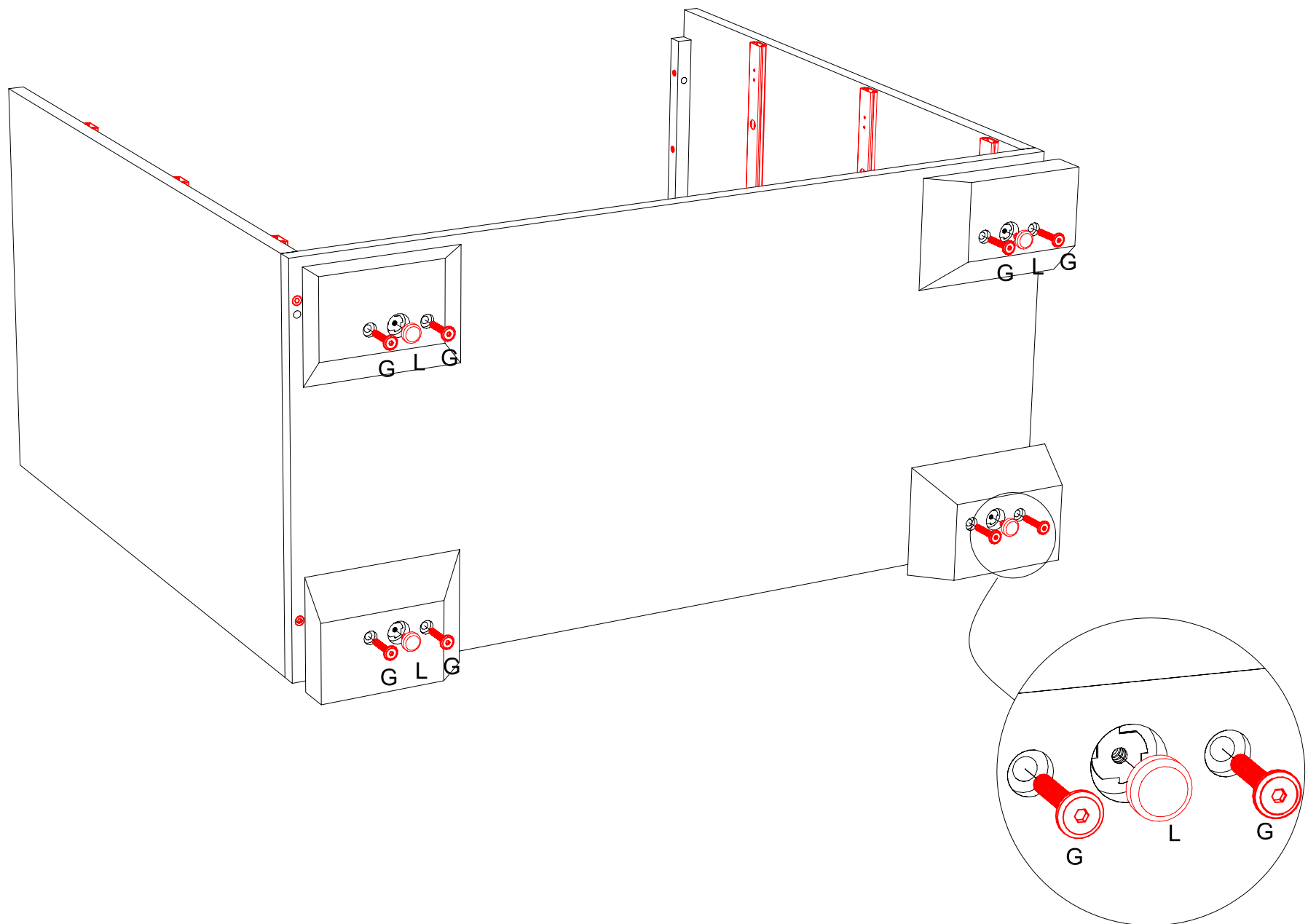
15: Attach bottom panel to each side panel using the 2 dowels previously attached to bottom of each side panel..



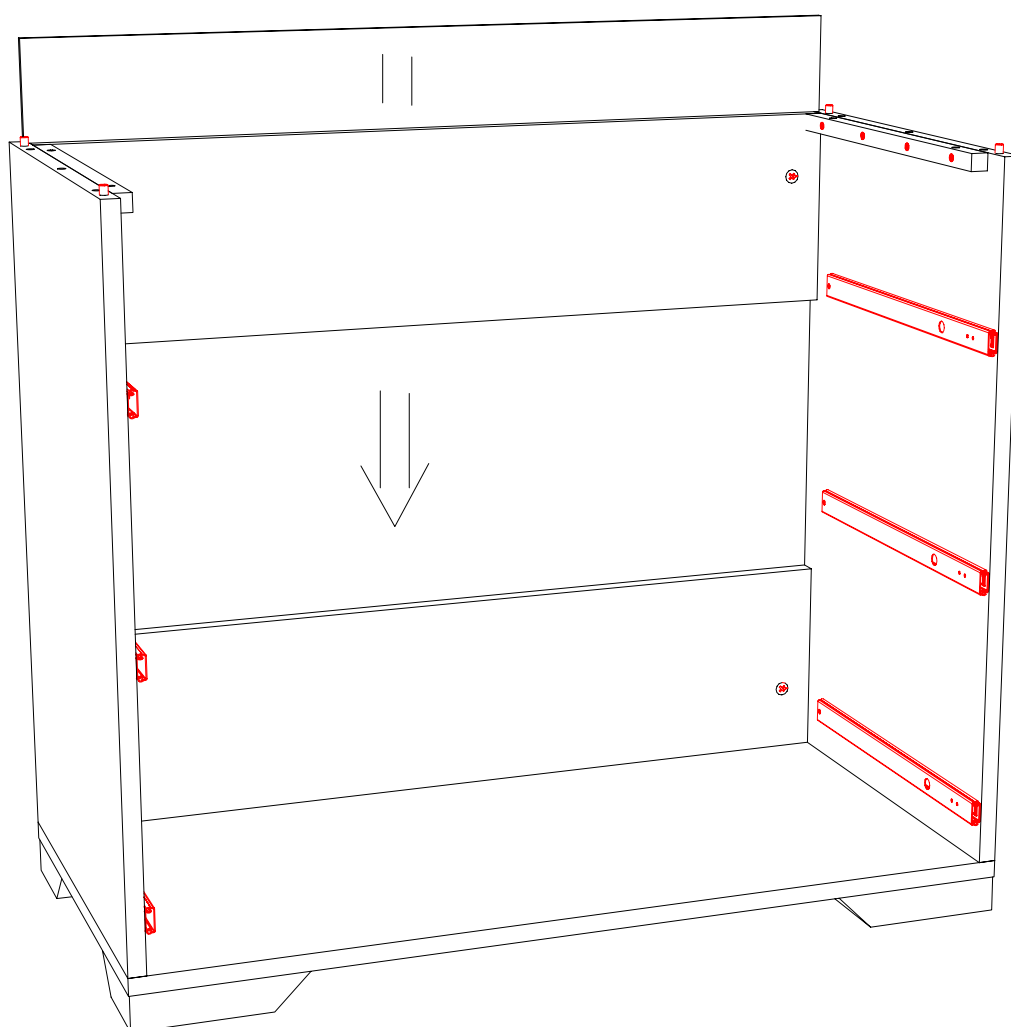
16: Insert long connecting screws (K) into holes provided in bottom panel and into each side panel.



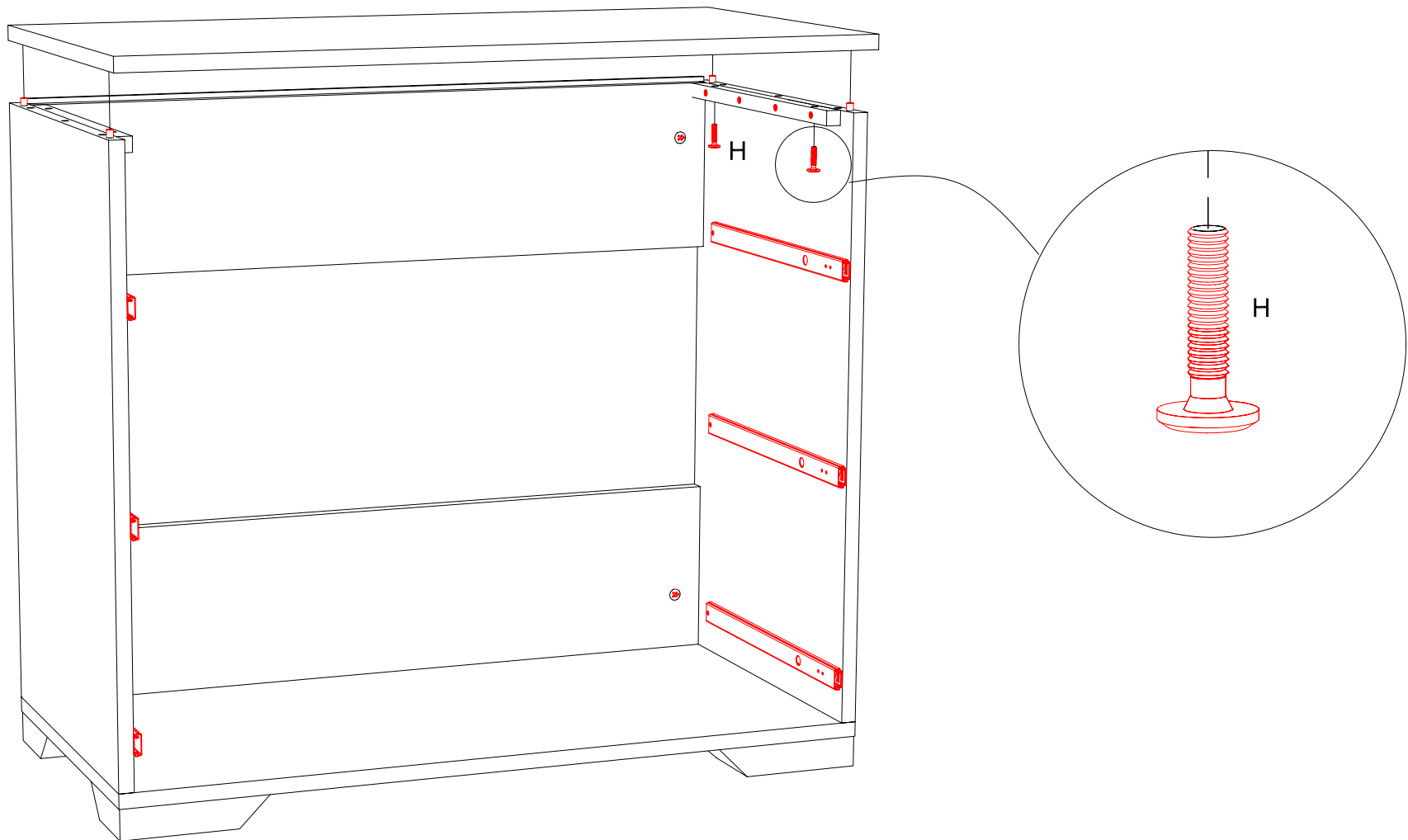
15: Attach 4 feet to bottom panel. Insert 8 medium connecting screws (G) into holes provided.  
Insert 4 level adjust screws (L) into holes provided.



16: Slide thin, back panel into groove at back edge side panels.



17: Attach top panel to dowels in upper edge side panels. Insert 4 short connecting screws (H) into holes provided.



18: Slide the drawer onto drawer rails. Insert drawer rail screws (I) into holes provided inside drawer side panels.

