



USER GUIDE - LED LIGHTED MIRROR

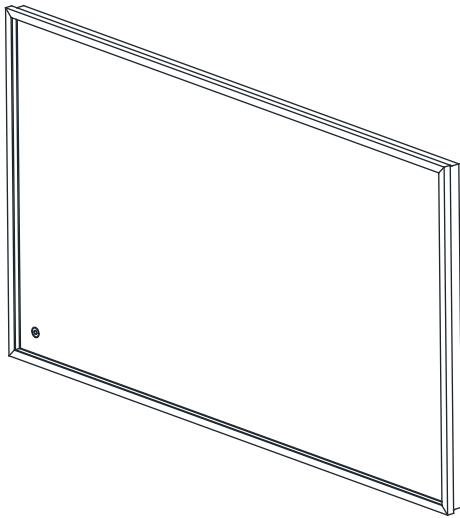


IF IN DOUBT ABOUT FITTING THIS PRODUCT, PLEASE CONSULT A QUALIFIED ELECTRICIAN

IMPORTANT

PLEASE READ THE INSTRUCTIONS BEFORE SET UP AND INSTALLATION

COMPONENT PARTS AND FITTINGS



Mirror



Screw & Wall plug x 5
(Included in pack)



Wire nut x 3
(Included in pack)

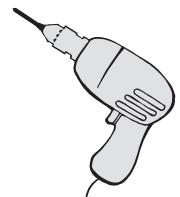


Metal Cleat x 1
(Included in pack)

Suggested Tools:



Screw driver



Drill

Safety Warning

Safety:

- We suggest you spend a short time reading the instruction leaflet.
- Carefully check that you have all the parts before beginning assembly.
- Keep small parts and fittings out of children's reach and keep children well away from construction area, as the unassembled product contains small parts, which could present a choking hazard.
- We suggest you retain these instructions for future reference.
- This appliance can be used by adults ONLY.
- If the supply cord is damaged, it must be replaced by the manufacturer, its service agent or similarly qualified persons in order to avoid a hazard.

Caution:

- In order to avoid overheating, do not cover the mirror.
- Switch off the mains supply and remove the appropriate fuse or switch off the appropriate circuit breaker before commencing installation
- Make sure that there is no danger that the cord or extension cord is inadvertently be pulled or cause anyone to trip when in use.

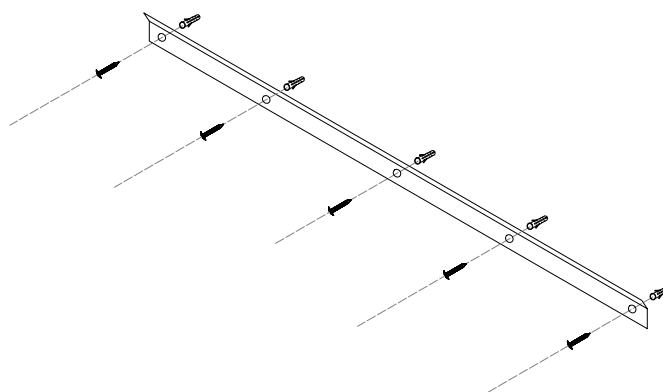
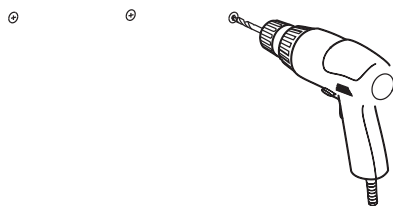
Assembly/User Instruction

Please read all instructions carefully. Before you proceed to install, make sure that the power supply is turned off and remains off until installation is complete.

Please note that each part has been assigned a number and proceed in a numerical order.

STEP1. Mark the position of the hanging screw.

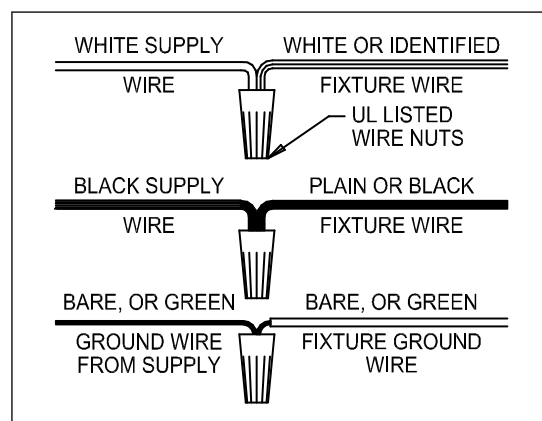
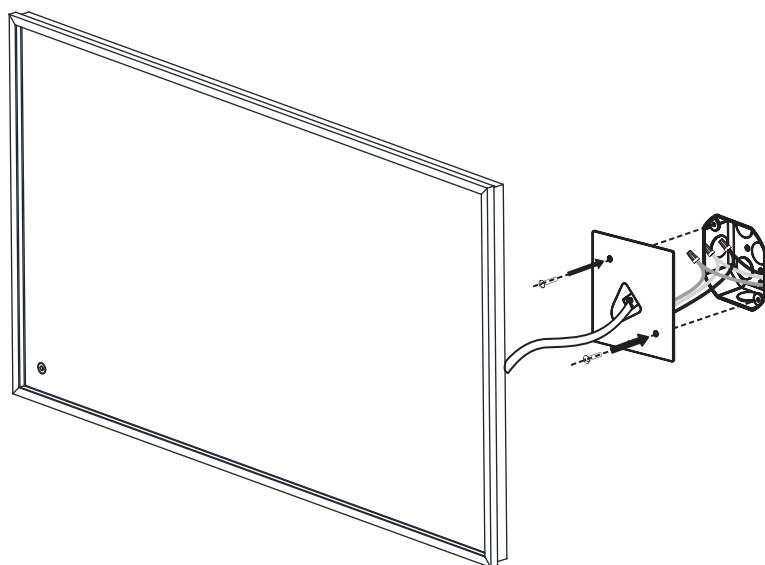
STEP2. Fix the screw.



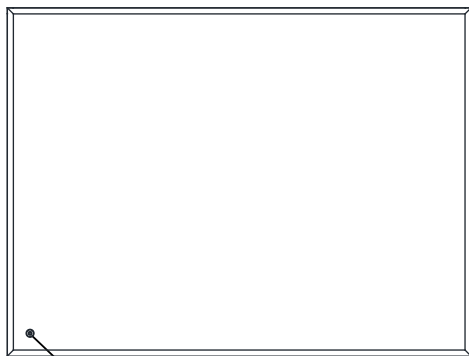
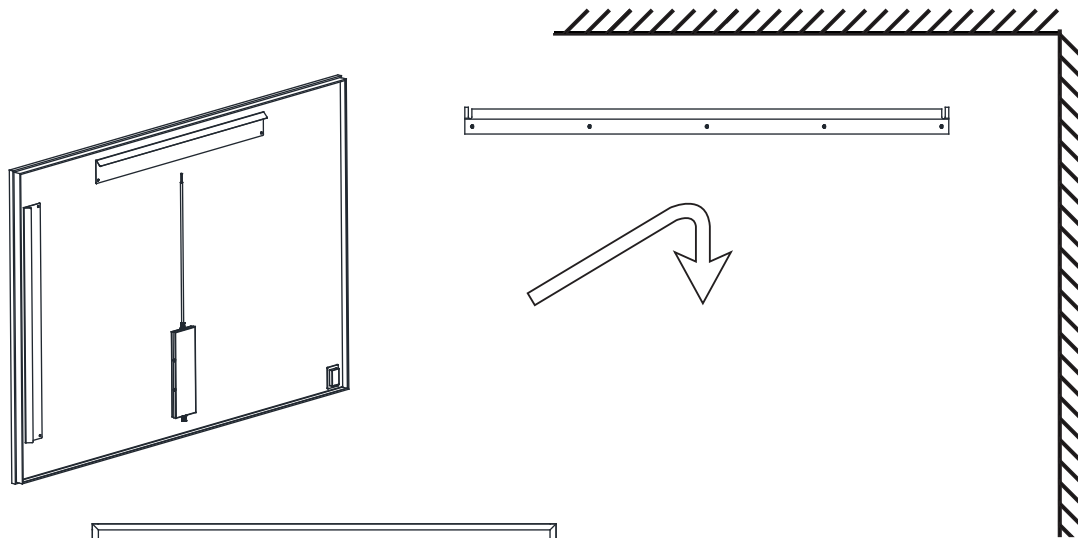
Applicable models

- MRE63048BK
- MRE63072BK
- MRE63636BK
- MRE63640BK
- MRE63648BK
- MRE63660BK
- MRE63672BK
- MRE64260BK
- MRE64272BK

STEP3. Connect to the main supply

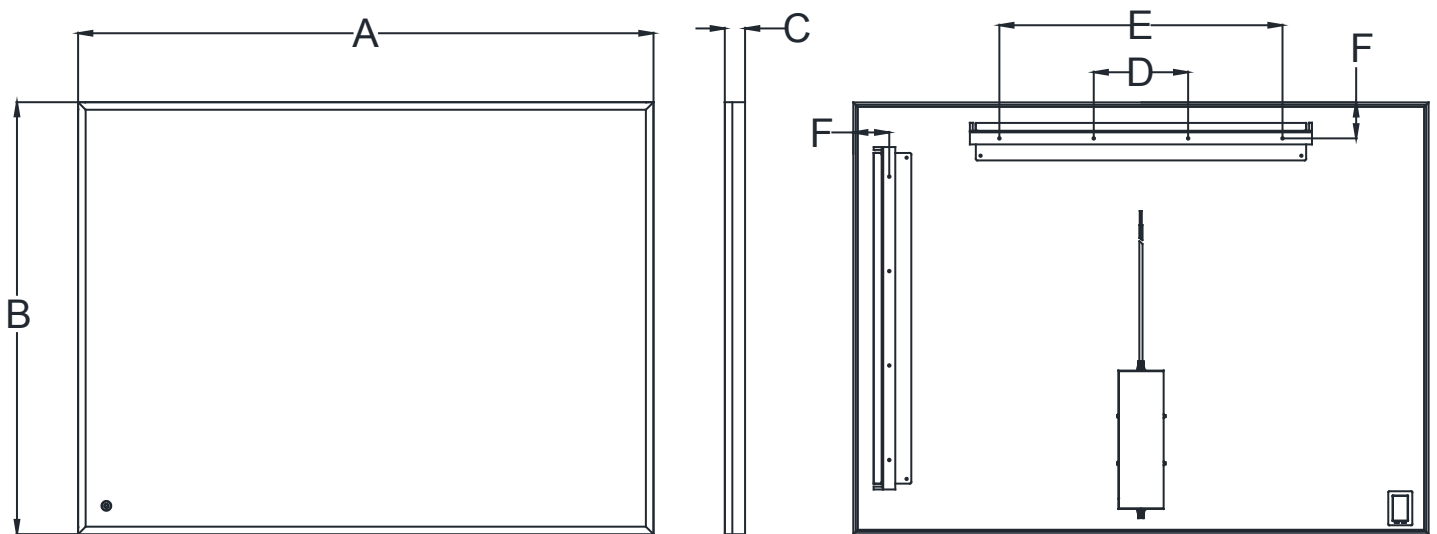


STEP4. Hang up the Mirror on the wall



Touch switch

Press once to change color temp. and on-off.
Press and hold switch for dimming the lumens.



Installation Dimensions:

MODEL	A(inch)	B(inch)	C(inch)	D(inch)	E(inch)	F(inch)	Color temperature	LED length/in	Driver
MRE63048BK	30	48	1.7	7.87	23.62	3	3000K/4200K/6400K	155.5	50W
MRE63072BK	30	72	1.7	7.87	23.62	3	3000K/4200K/6400K	203.5	60W
MRE63636BK	36	36	1.7	7.87	23.62	3	3000K/4200K/6400K	143.7	50W
MRE63640BK	36	40	1.7	7.87	23.62	3	3000K/4200K/6400K	151.5	50W
MRE63648BK	36	48	1.7	7.87	23.62	3	3000K/4200K/6400K	167.3	50W
MRE63660BK	36	60	1.7	7.87	23.62	3	3000K/4200K/6400K	190.9	60W
MRE63672BK	36	72	1.7	7.87	31.49	3	3000K/4200K/6400K	214.5	60W
MRE64260BK	42	60	1.7	7.87	31.49	3	3000K/4200K/6400K	202.7	60W
MRE64272BK	42	72	1.7	7.87	31.49	3	3000K/4200K/6400K	226.4	60W

