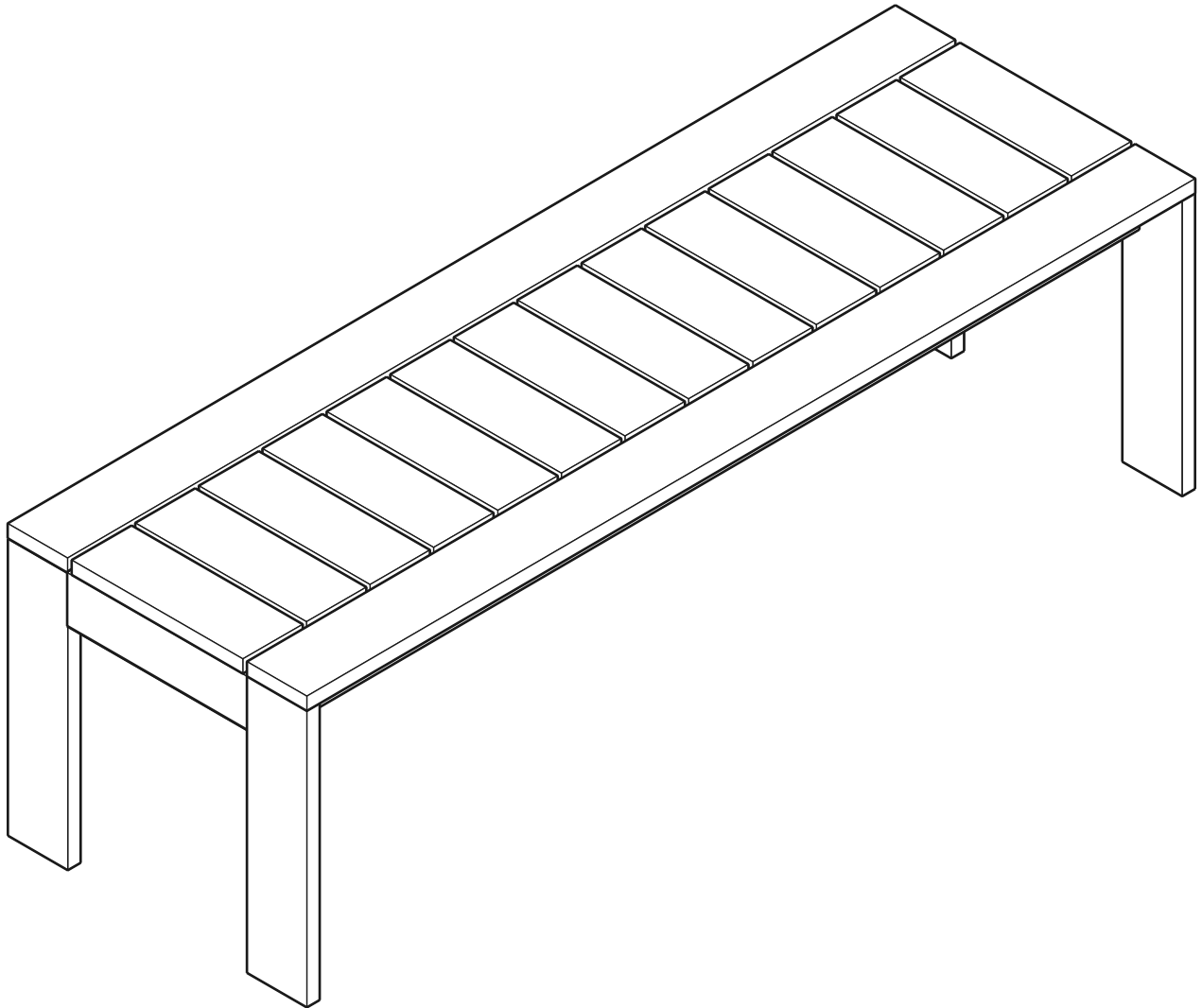


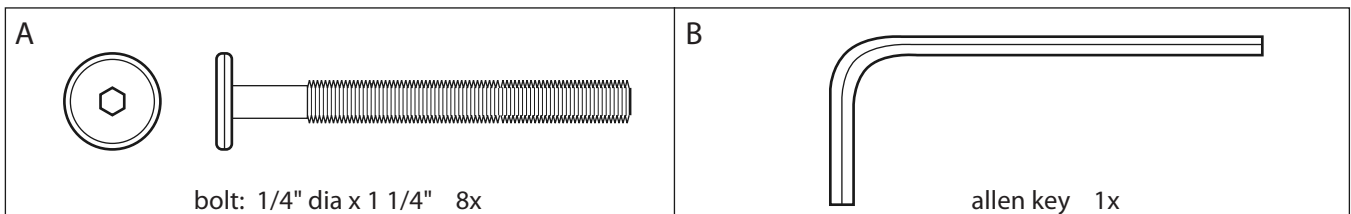
west elm : wood slat long bench

assembly instructions



! Do not throw away packaging materials until assembly is complete.

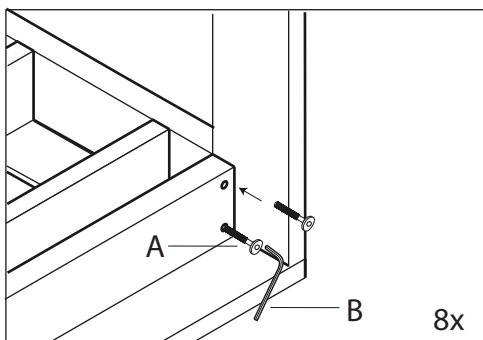
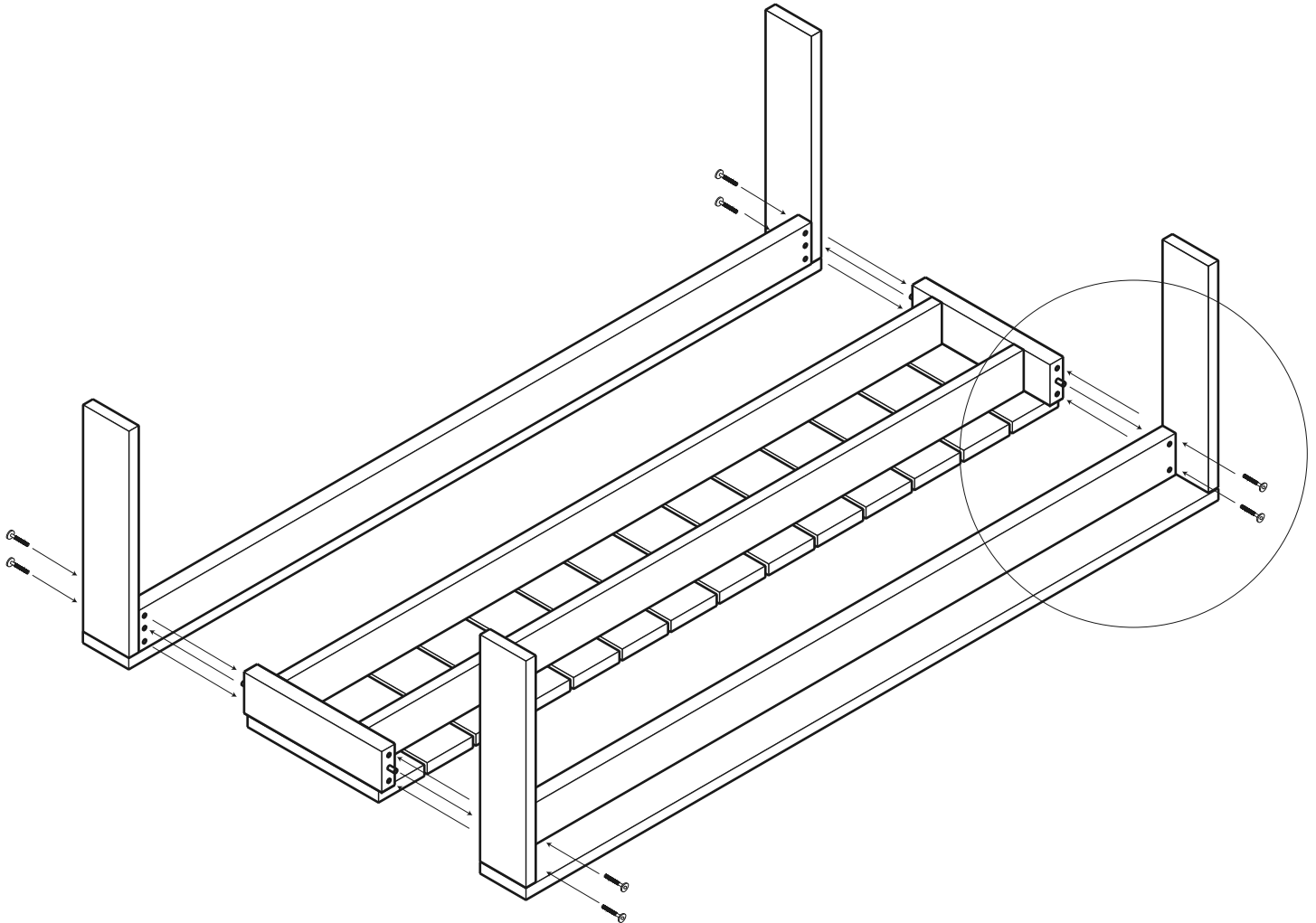
! Assemble this item on a soft surface, such as cardboard or carpet, to protect the finish.



west elm : wood slat long bench

assembly instructions

1. Carefully place the bench components upside down on a soft surface. Align dowels in center portion with holes in legs and insert as shown. Insert bolt (A) through holes in leg and into pre-drilled holes in center portion, and tighten using allen key (B).



CARE INSTRUCTION

Hardware may loosen over time. Periodically check that all connections are tight.

Wipe with a soft, dry cloth. To protect finish, avoid the use of chemicals and household cleaners.