

Overarching Linen Shade Floor Lamp Assembly Instructions

Important Safety Instructions:

- This portable luminaire has a polarized plug (one blade is wider than the other) as a safety feature to reduce the risk of electric shock. This plug will fit in a polarized outlet only one way. If the plug does not fit fully in the outlet, reverse the plug. If it still does not fit, contact a qualified electrician. Never use with an extension cord unless plug can be fully inserted. Do not alter the plug. Do not attempt to defeat this safety feature.
- These instructions are provided for your safety. It is very important that they are read carefully and completely before beginning the assembly and installation of this lighting fixture.
- For your safety and convenience, it is strongly recommended that two people install the lighting fixture.
- This fixture has been rated for up to two (2) **60-watt maximum TYPE A standard incandescent light bulbs**(not included) or two (2) **13-Watt compact fluorescent light bulb** (not included) or two (2) **9-watt SBLED bulb** (Included). To avoid the risk of fire, do not exceed the recommended wattage.
- Use with approved West Elm Shades only, having a minimum opening diameter of 4-1/2 inches and a minimum lamp-to-shade spacing of 2-1/2 inches.
- This lamp is meant for indoor use.
- **Save these instructions.**

WARNING:

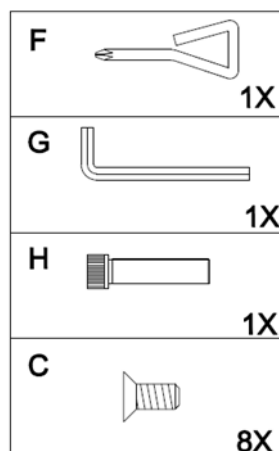
- **To reduce the risk of fire, electrical shock or personal injury, always turn off and unplug the light fixture and allow it to cool prior to replacing the light bulb.**
- **Do not touch bulb when fixture is turned on. Do not look directly at lit bulb.**
- **Keep flammable materials away from lit bulb.**

Pre-assembly:

- Remove all parts and hardware from box along with any plastic protective packaging.
- Do not discard any contents until after assembly is complete to avoid accidentally discarding small parts or hardware.

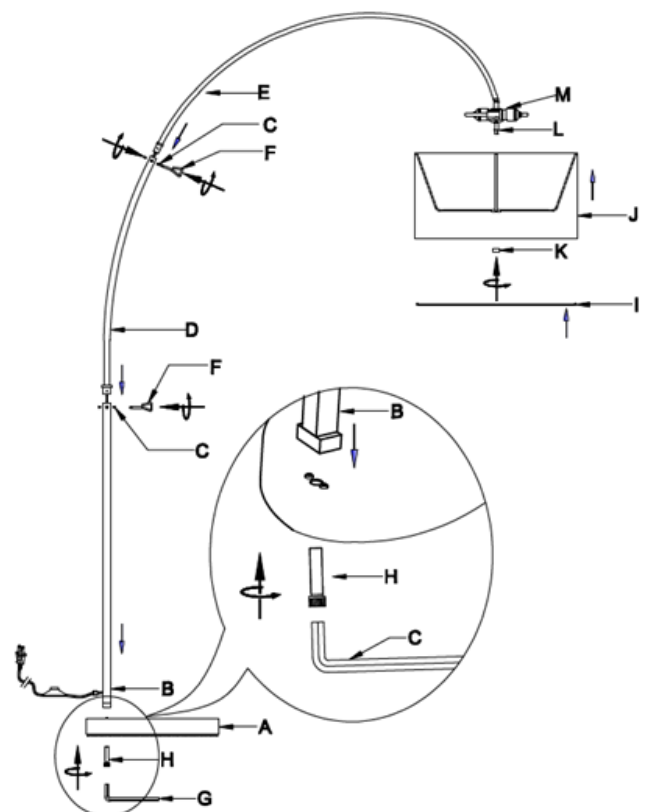
Parts Included:

- (A) Lamp Base (1)
- (B) Lower Tube (1)
- (C) Screws (8)
- (D) Upper Curved Tube (1)
- (E) Top Curved Tube (1)
- (I) Diffuser (1) (not included)
- (J) Lamp Shade (1) (not included)
- (K) Finial (1)
- (L) Threaded Rod (1)
- (M) Sockets (2)



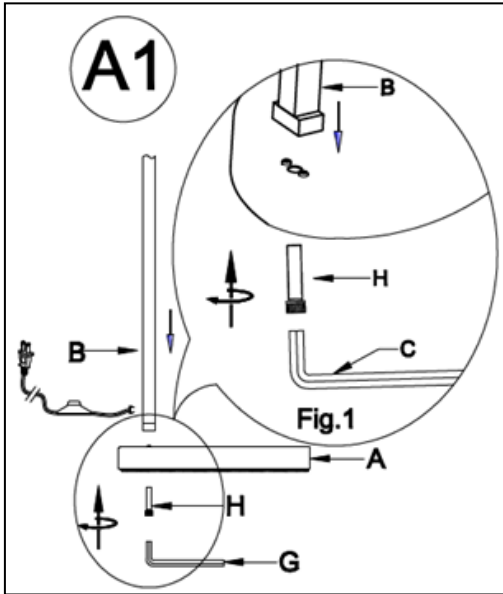
Hardware Included:

- (F) Screwdriver (1)
- (G) Allen Key (1)
- (H) Allen Screw (1)

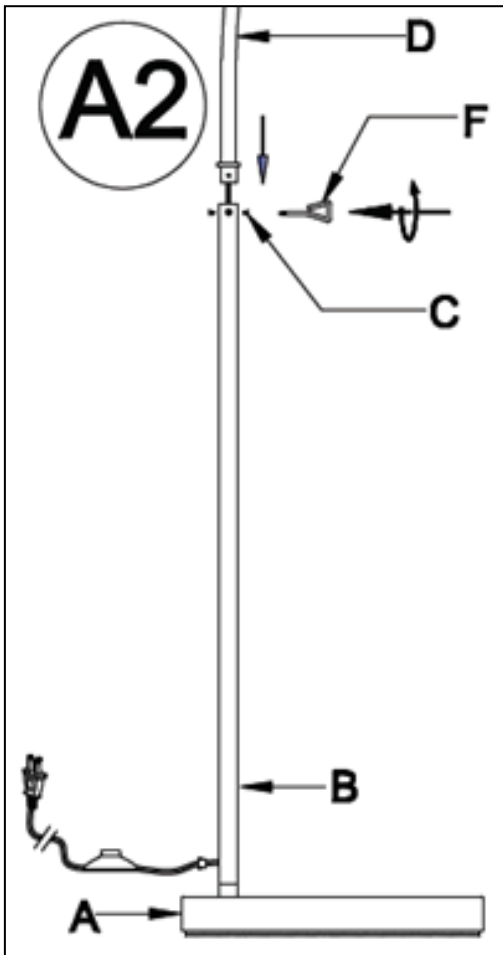


Overarching Linen Shade Floor Lamp Assembly Instructions

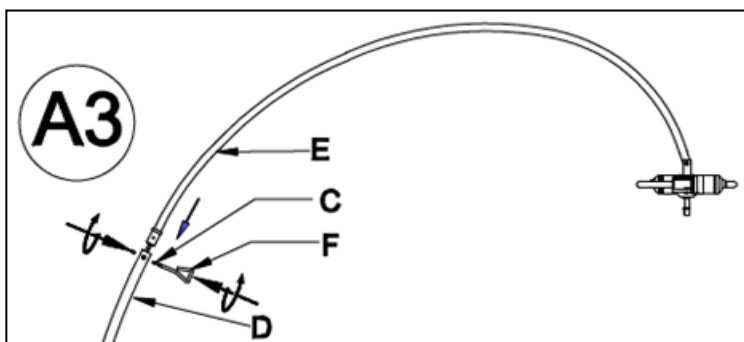
To Assemble:



1. With the help of another person, attach the bottom end of the Lower Tube (B) onto the top surface of the Lamp Base (A) as shown in Fig.1, making sure the 2 screw heads on the Lamp Base (A) are aligned and engaged with 2 holes on the bottom of the Lower Tube (B). Secure the Lower Tube (B) onto the Lamp Base (A) by turning the Allen Screw (H) into the bottom threaded hole of the Lower Tube (B) clockwise using Allen Key (G) until tight.



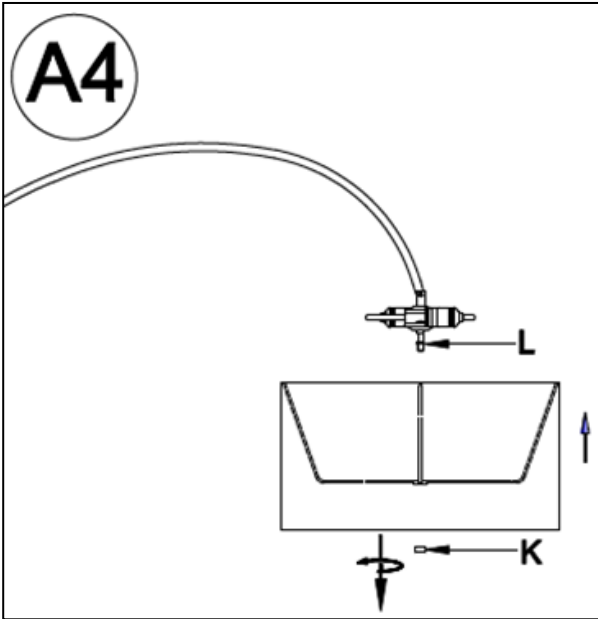
2. Loosen and unscrew 4 Screws (C) from the top end of the Lower Tube (B). Insert bottom end of the Upper Curved Tube (D) into the top end of the Lower Tube (B), making sure the Upper Curved Tube (D) is tilting forwards from the Lamp Base (A). Secure this joint by turning the 4 Screws (C) into the top end sides of the Lower Tube (B) in a clockwise direction using the Screwdriver (F) until tight.



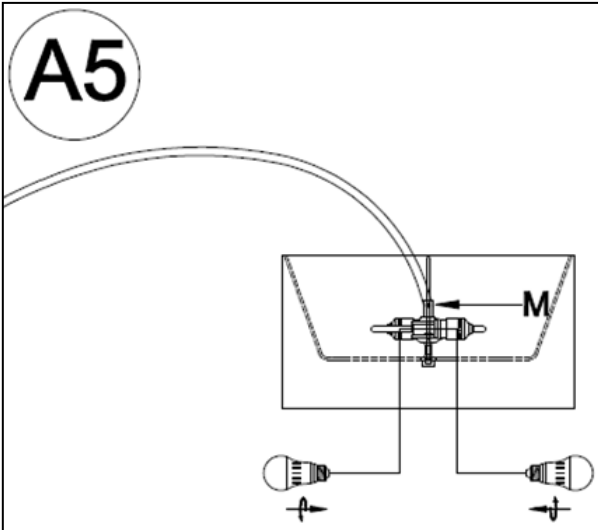
3. Assemble the Top Curved Tube (E) onto the top end of the installed Upper Curved Tube (D) using the same procedure as outlined in step A2.

Overarching Linen Shade Floor Lamp Assembly Instructions

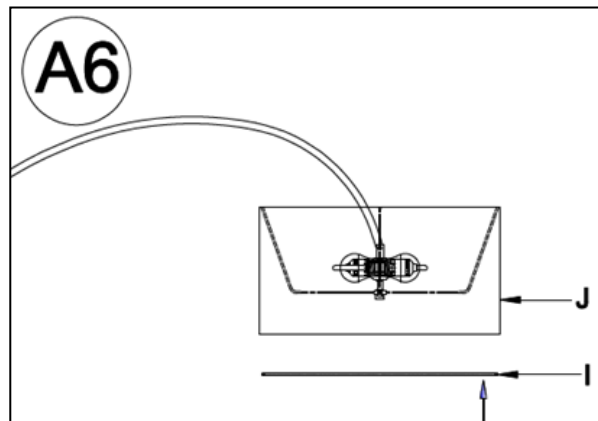
To Assemble:



4. Unscrew the Finial (K) from the Threaded Rod (L) by turning counter-clockwise.



5. Insert the specified light bulb into the Socket (M). DO NOT EXCEED THE SPECIFIED WATTAGE.



6. Insert the Diffuser (I) (not included) into the bottom opening of the Lamp Shade (J) (not included) so it is seated and resting evenly on the lower diffuser supports of Lamp Shade (J)

Care instructions:

- Wipe clean with a soft, dry cloth or static duster.
- Always avoid the use of harsh chemicals or abrasive cleaners as they may cause damage to the fixture's finish

Thank you for your purchase

Stores | catalog | www.westelm.com

USA 888-922-4119

US/UN