

## Sphere + Stem Table Lamp Assembly Instructions

### Important Safety Instructions:

- This portable luminaire has a polarized plug (one blade is wider than the other) as a safety feature to reduce the risk of electric shock. This plug will fit in a polarized outlet only one way. If the plug does not fit fully in the outlet, reverse the plug. If it still does not fit, contact a qualified electrician. Never use with an extension cord unless plug can be fully inserted. Do not alter the plug. Do not attempt to defeat this safety feature.
- These instructions are provided for your safety. It is very important that they are read carefully and completely before beginning the assembly and installation of this lighting fixture.
- This fixture has been rated for up to one (1) **60-watt maximum TYPE G standard incandescent light bulb** (not included) or one (1) **E12 7-watt maximum Self-Ballasted LED bulb** (5-watt LED light bulb included). To avoid the risk of fire, do not exceed the recommended lamp wattage.
- This lamp is meant for indoor use.
- **Save these instructions.**

### WARNING:

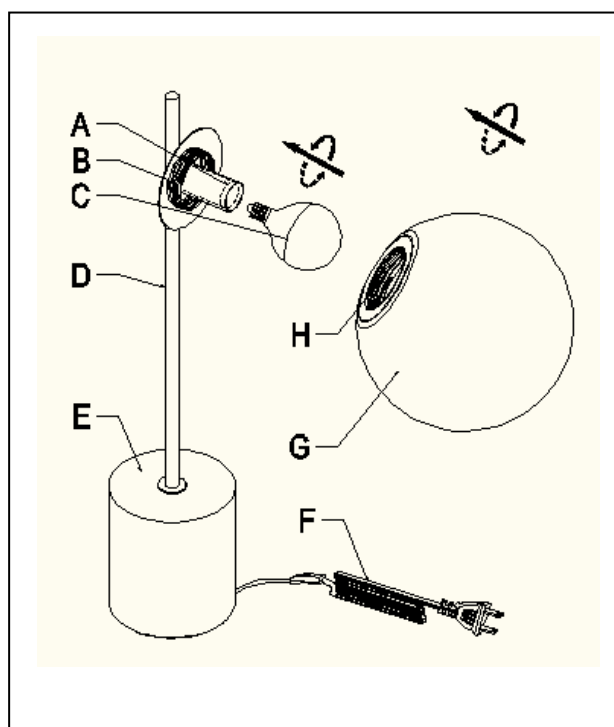
- **To reduce the risk of fire, electrical shock or personal injury, always turn off and unplug the light fixture and allow it to cool prior to replacing the light bulb.**
- **Do not touch bulb when fixture is turned on. Do not look directly at lit bulb.**
- **Keep flammable materials away from lit bulb.**

### Pre-assembly:

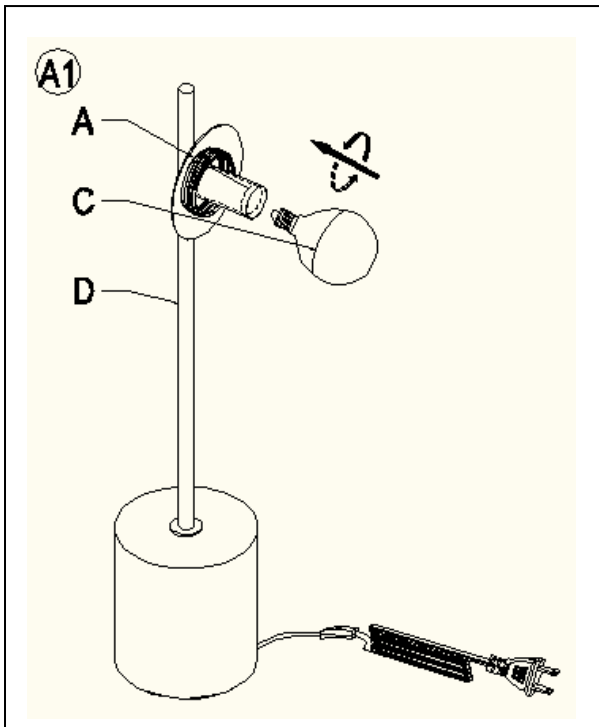
- Remove all parts and hardware from box along with any plastic protective packaging.
- Do not discard any contents until after assembly is complete to avoid accidentally discarding small parts or hardware.

### Parts Included:

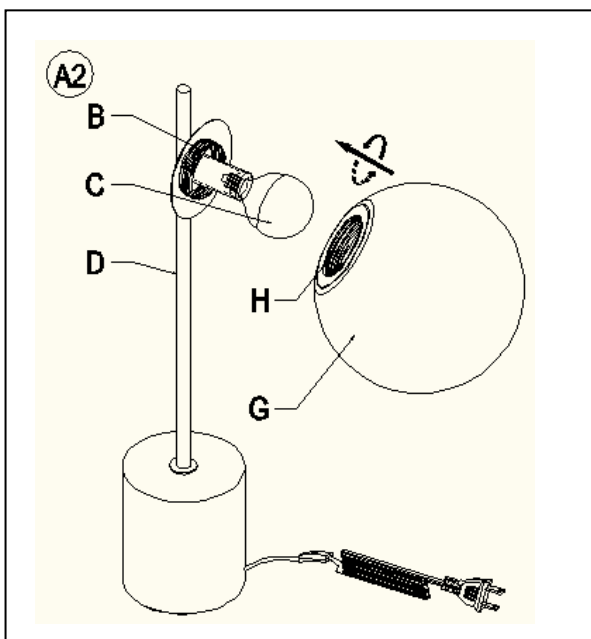
- (A) Socket (1)
- (B) Shade Outer Thread-Ring (1)
- (C) E12 5W LED bulb (1)
- (D) Stem (1)
- (E) Marble base (1)
- (F) Power cord (1)
- (G) Glass shade (1)
- (H) Shade Inner Thread-Ring (1)



## To Assemble:



1. Insert the specified light bulb into the Socket (A). DO NOT EXCEED THE SPECIFIED WATTAGE.



2. Attached Shade Inner Thread-Ring (H) onto the Shade Outer Thread-Ring (B), then turning Glass Shade (G) in a clockwise direction until tight. Please don't over tight.

### Care instructions:

- Wipe clean with a soft, dry cloth or static duster.
- Always avoid the use of harsh chemicals or abrasive cleaners as they may cause damage to the fixture's finish.

Thank you for your purchase

Stores | catalog | [www.westelm.com](http://www.westelm.com)

USA [888-922-4119](tel:888-922-4119)

[Mid Century Tripod Floor Shade V2 Natural Linen](#)

[Mid Century Tripod Table Lamp V2 : Antique Brass](#)