

! Tools supplied:

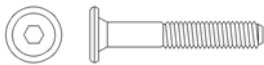
! Do not throw away packaging materials until assembly is complete.

! Assemble this item on a soft surface, such as cardboard or carpet, to protect finish.

! Proper assembly of this item requires 2 people.

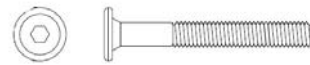
Hardware

A



bolt : 6mm x 35mm 4x

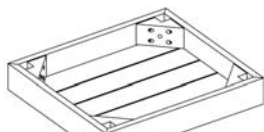
B



bolt : 6mm x 50mm 8x

Parts

C



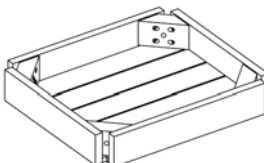
top 1x

D



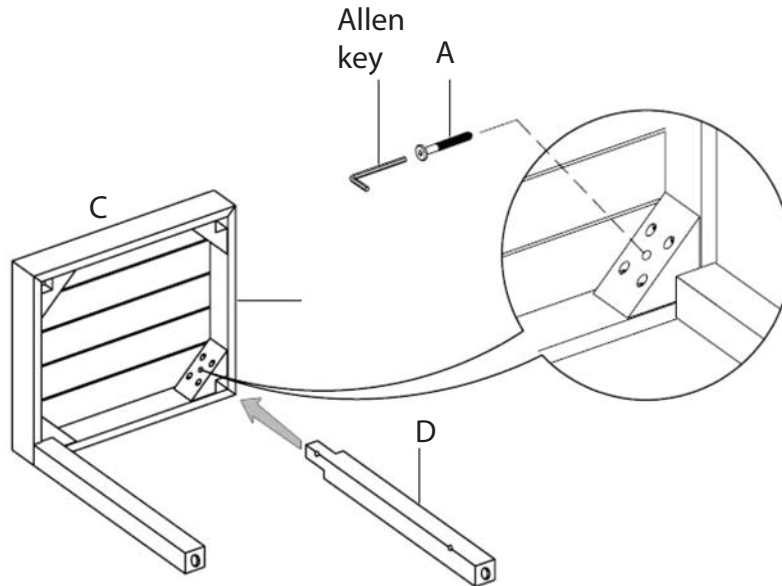
leg 4x

E

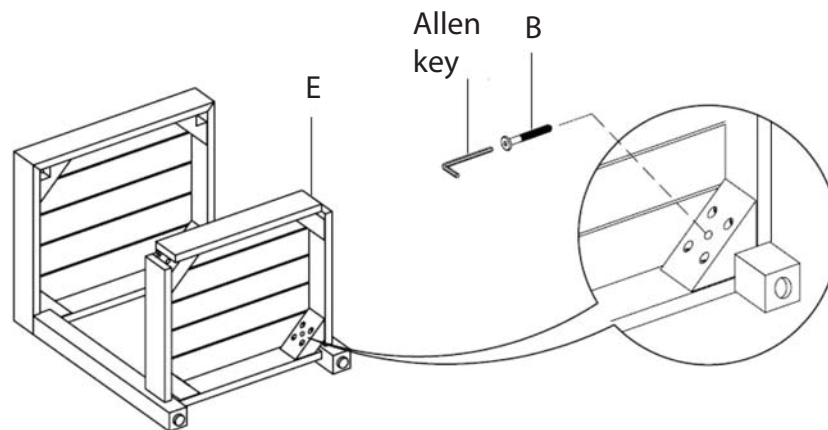


shelf 1x

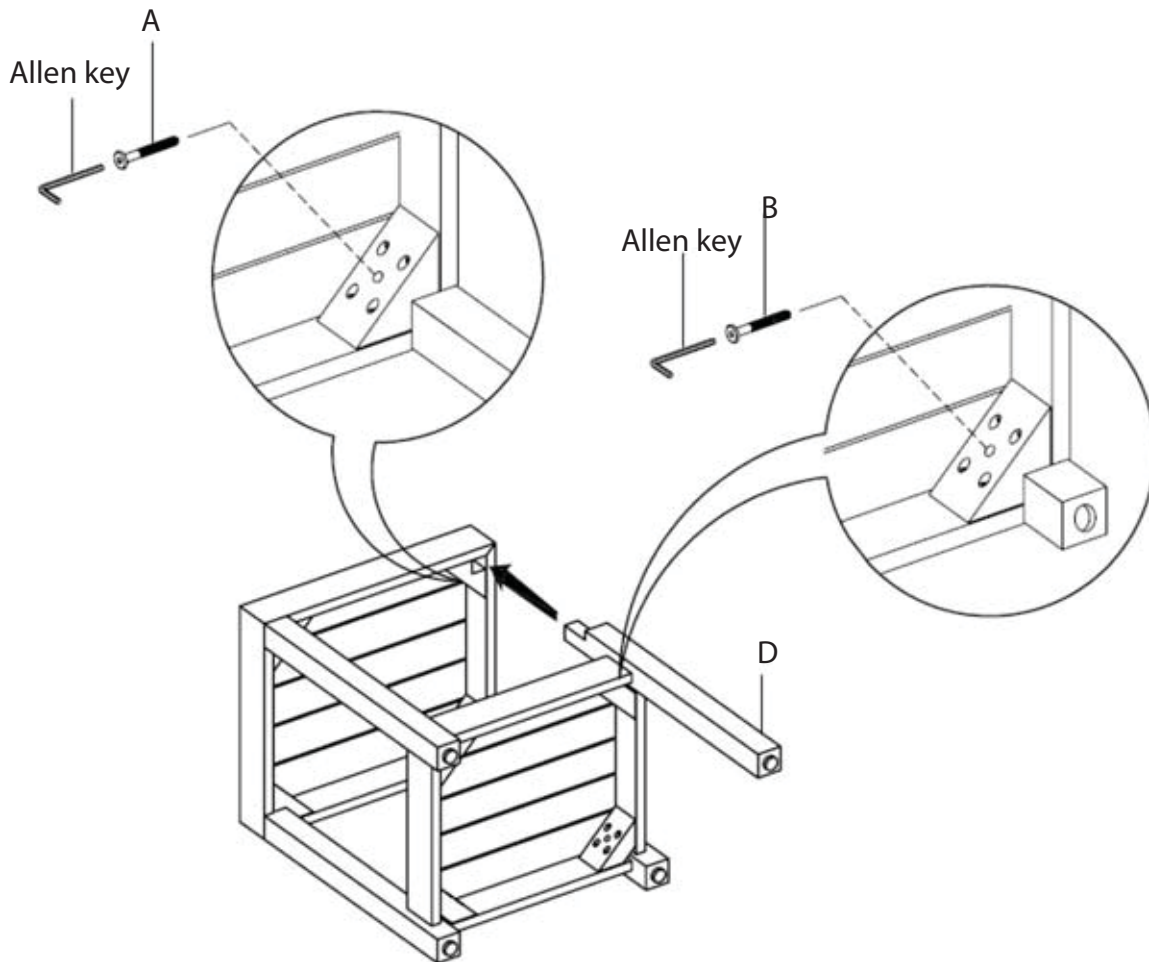
1. Position the top (C) as shown, insert the 2 legs (D) into the opening located at each corner of the top (C). Once the leg is fully inserted, apply bolt (A) into the center hole of the top bracing as shown. Tighten fully using the enclosed allen key.



2. Insert the 1 shelf (E) into the opening between the two previously-installed legs and align the holes from the leg with the corresponding holes on the center of the shelf bracing (located on each corner). Apply bolt (B) into the center hole of the shelf bracing as shown. Tighten fully using the enclosed Allen key.



3. Insert the remaining legs (D) into the opening located at each corner of the top (C). Once the leg is fully inserted, apply bolt (A) into the center hole of the top bracing as shown. Tighten fully using the enclosed allen key. Align the holes from the leg with the corresponding holes on the center of the shelf bracing (located on each corner). Apply bolt (B) into the center hole of the shelf bracing as shown. Tighten fully using the enclosed allen key. Stand stool upright.



CARE INSTRUCTIONS

Hardware may loosen overtime. Periodically check that all connections are tight.
Wipe with a soft, dry cloth. To protect finish, avoid the use of chemicals and household cleaners.