

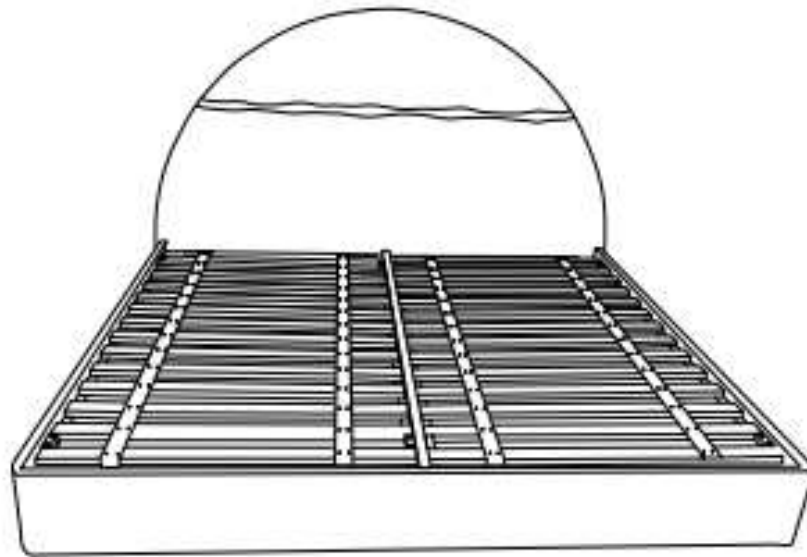
MOE'S

home collection

ASSEMBLY INSTRUCTIONS.






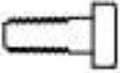





WATSON BED QUEEN BROWN

BB-1003-03-0



THANK YOU FOR YOUR PURCHASE!

PARTS AND HARDWARE.

<p>1. HEADBOARD X 1</p> 	<p>2. CENTER RAIL X 1</p> 	
<p>3. RIGHT RAIL X 1</p> 	<p>4. LEFT RAIL X 1</p> 	
<p>A. WRENCH X 1</p> 	<p>B. HEX BOLT M10-32mm X 8mm</p> 	
<p>C. ALLEN KEY X 1</p> 	<p>D. WASHER 24mmX8mm</p> 	<p>E. ALLEN BOLT M6-24mm X 8mm</p> 
<p>5. FRONT RAIL X 1</p> 	<p>6. SLATS X 2</p> 	

NOTES.

Thank you for purchasing this quality product! Be sure to check all the packing material carefully for small parts that may have come loose inside the carton during shipping.

CAUTION: Keep all packaging and instructions until assembly is complete to ensure you have all required parts and hardware.

Keep small hardware out of reach of children.

The item is heavy, take care when lifting and use 2 people to maneuver safely.

