



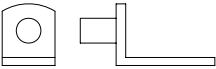

! Tool required:

! Do not throw away packaging materials until assembly is complete.

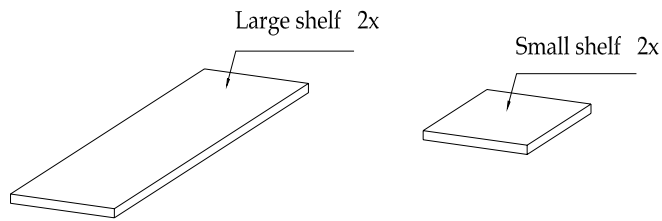
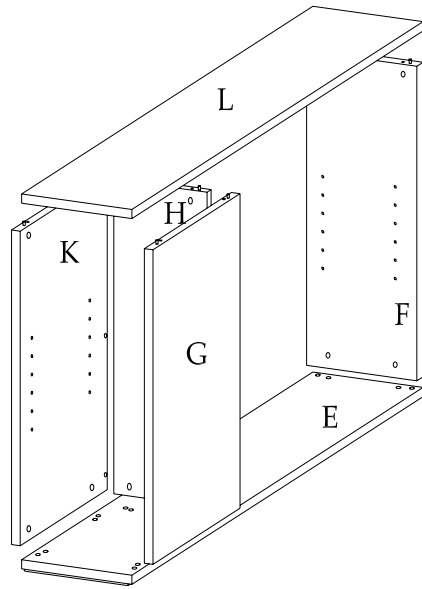
! Assemble this item on a soft surface, such as: cardboard or carpet to protect finish.

! Proper assembly of this item requires 2 people.

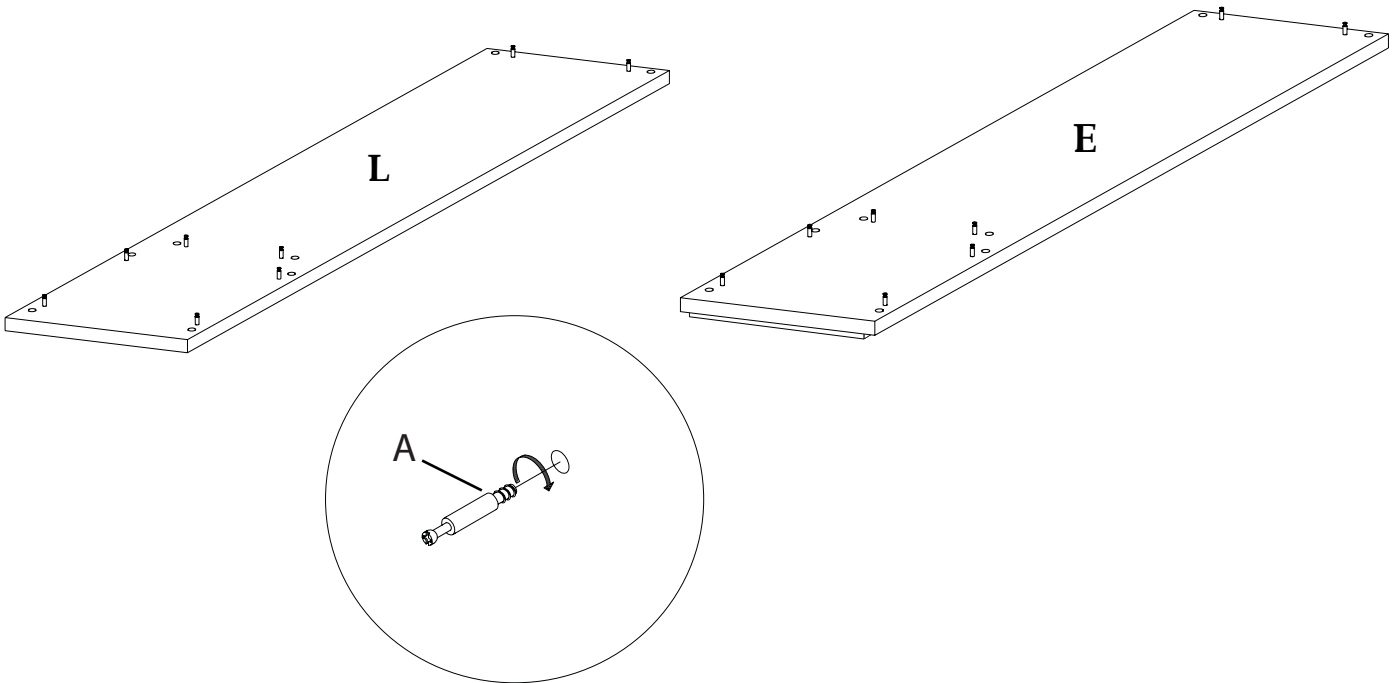
Hardware

<p>A</p>  <p>cam bolt 16x</p>	<p>B</p>  <p>cam house 16x</p>
<p>C</p>  <p>shelf pin 8x</p>	<p>D</p>  <p>allen key 1x</p>

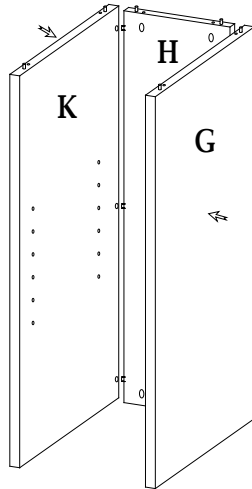
Parts



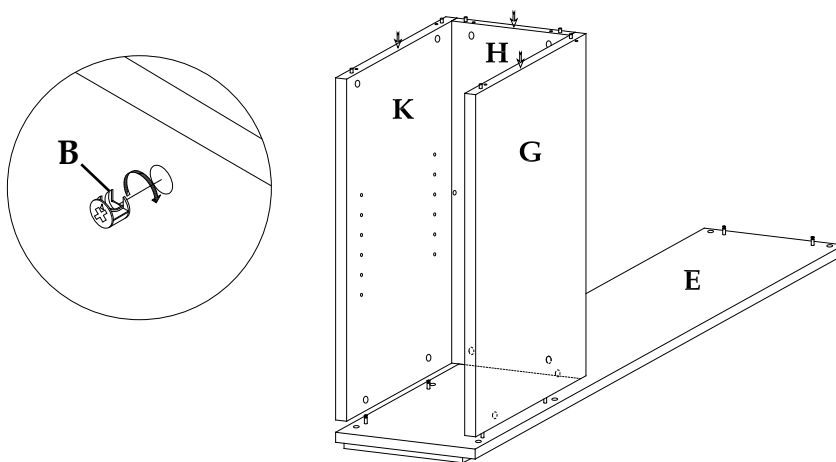
1. Put Cam bolts (A) into pre-installed Insert nuts on Top panel (L) and Bottom panel (E) as shown below. Tighten all Cam bolts (A) with Phillips head screw driver.



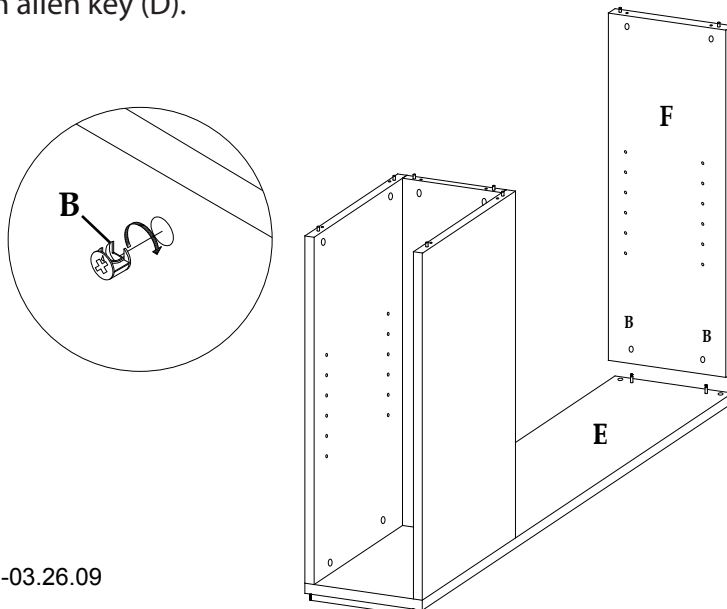
2. Put panel (K), panel (G) and panel (H) together by putting pre-assembled dowels on panel (H) into pre-drilled holes in panel (K) and panel (G) as shown below.



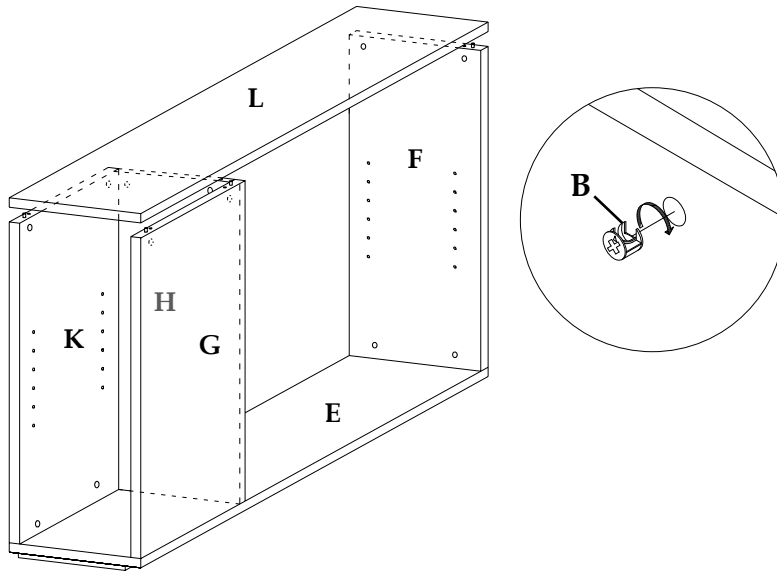
3. Carefully lift pre-assembled panels (K,G,H) onto bottom panel (E) by aligning cam bolts (A) with pre-drilled holes in panel (K), (G) and (H). Put cam houses (B) into pre-drilled holes in panel (K), (G), and (H) as shown. Tighten all cam houses (B) with allen key (D).



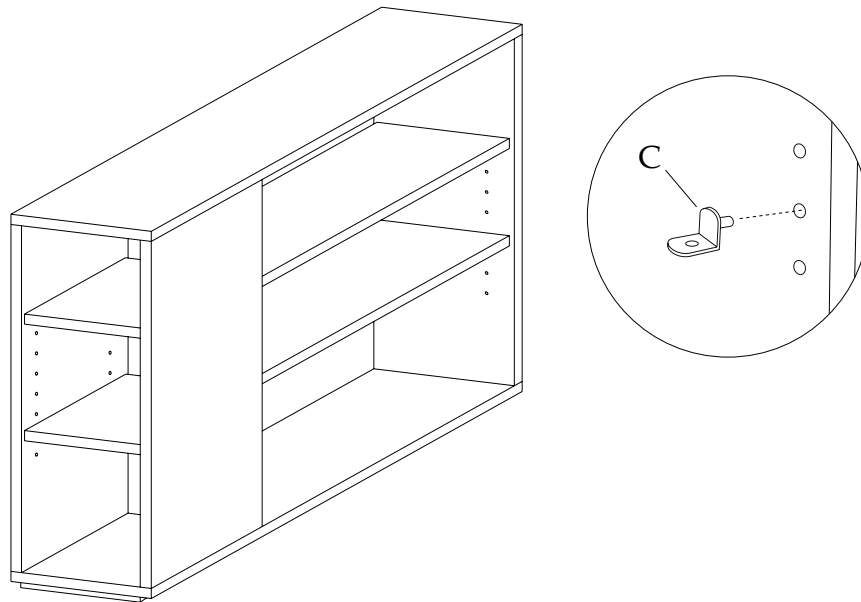
4. Put panel (F) on bottom panel (E) by aligning cam bolts (A) with pre-drilled holes in panel (F). Put cam houses (B) into pre-drilled holes in panel (F) as shown below. Tighten both cam houses (B) with allen key (D).



5. Carefully put top panel (L) onto assembled base by aligning cam bolts (A) on top panel (L) with pre-drilled holes on panels (K), (G), (H), and (F) as shown below. Tighten all cam houses (B) with allen key (D).



6. Insert shelf pin (C) into your desired height. Put all shelves in bookcase as shown.



CARE INSTRUCTIONS

Hardware may loosen over time. Periodically check that all connections are tight.
Wipe with a soft, dry cloth. To protect finish, avoid the use of chemicals and household cleaners