

Library Floor Lamp Assembly Instructions

Important Safety Instructions:

- These instructions are provided for your safety. It is very important that they are read carefully and completely before beginning the assembly and installation of this lighting fixture.
- This portable luminaire has a polarized plug (one blade is wider than the other) as a safety feature to reduce the risk of electric shock. This plug will fit in a polarized outlet only one way. If the plug does not fit fully in the outlet, reverse the plug. If it still does not fit, contact a qualified electrician. Never use with an extension cord unless plug can be fully inserted. Do not alter the plug. Do not attempt to defeat this safety feature.
- Light bulb should be centered inside each shade, Making sure it does not touch the shade sides.
- This fixture has been rated for two (2) **40-watt maximum TYPE A standard incandescent light bulbs** (not included) or two (2) **9-watt compact fluorescent light bulbs** (not included) or two (2) **20-watt maximum SBLED light bulbs** (two 9-watt SBLED bulbs included). To avoid the risk of fire, do not exceed the recommended wattage.
- This lamp is meant for indoor use.
- **Save these instructions.**

WARNING:

- **To reduce the risk of fire, electrical shock or personal injury, always turn off and unplug the light fixture and allow it to cool prior to replacing the light bulb.**
- **Do not touch bulb when fixture is turned on. Do not look directly at lit bulb.**
- **Keep flammable materials away from lit bulb.**

Pre-assembly:

- Remove all parts and hardware from box along with any plastic protective packaging.
- Do not discard any contents until after assembly is complete to avoid accidentally discarding small parts or hardware.

TOOLS REQUIRED (NOT INCLUDED):

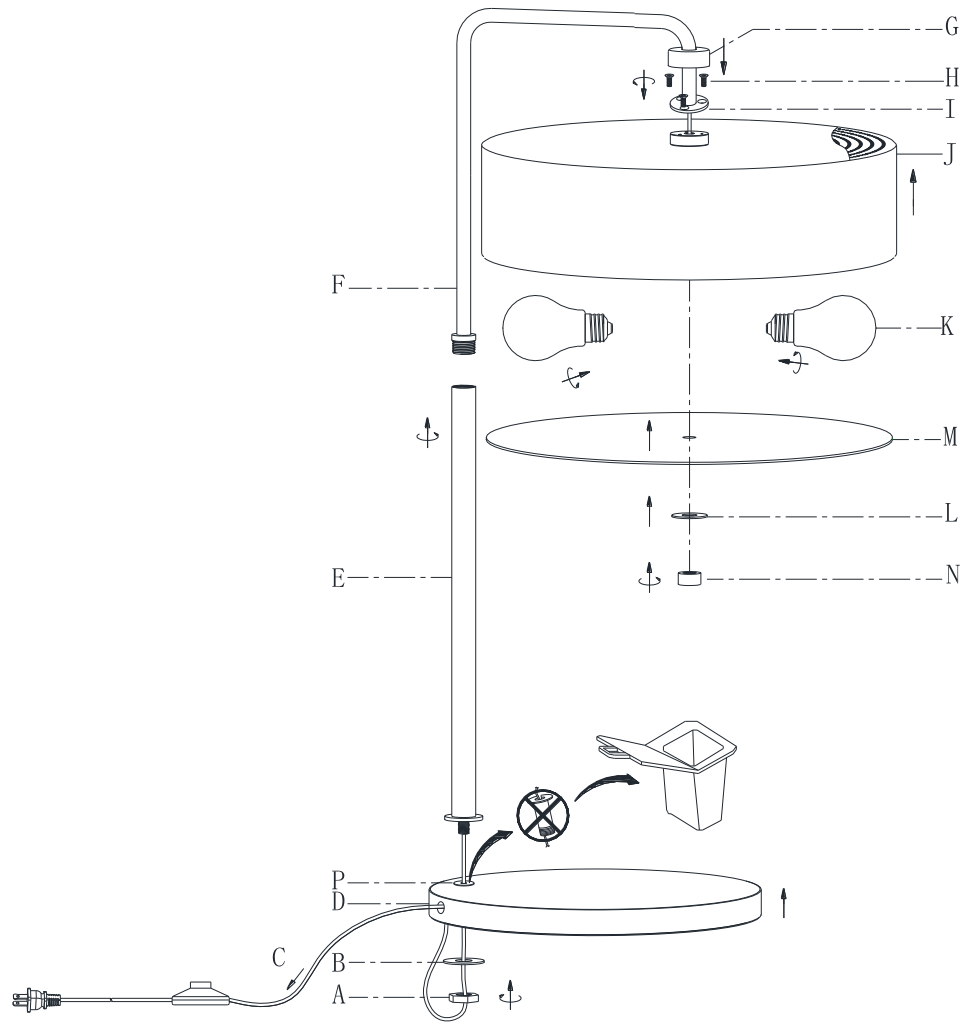
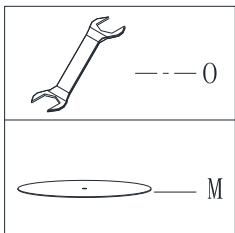


Parts Included:

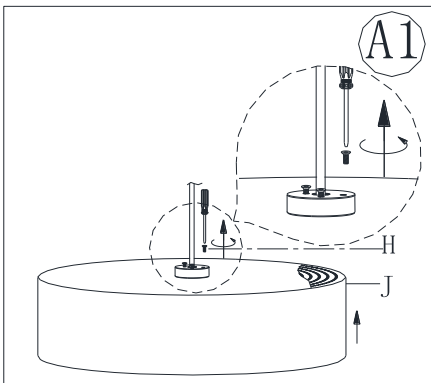
- (A) Bottom Nut (1)
- (B) Bottom Washer (1)
- (C) Cable (1)
- (D) Base (1)
- (E) Lower Tube (1)
- (F) Upper tube (1)
- (G) Cover (1)
- (H) Assembly Screws (3)
- (I) Connection Head (1)
- (J) Lamp Shade (1)
- (K) Bulbs (2)
- (L) Flat Washer (1)
- (N) Final Nut (1)
- (P) Plastic Tube (1)

Hardware enclosed:

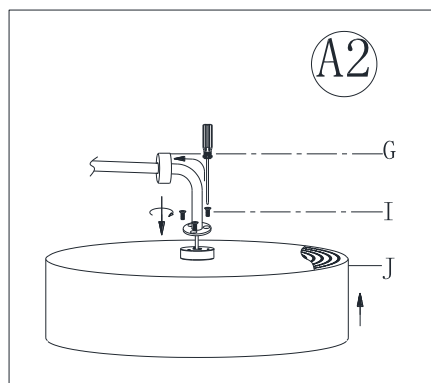
- (M) Diffuser (1)
- (O) Spanner (1)



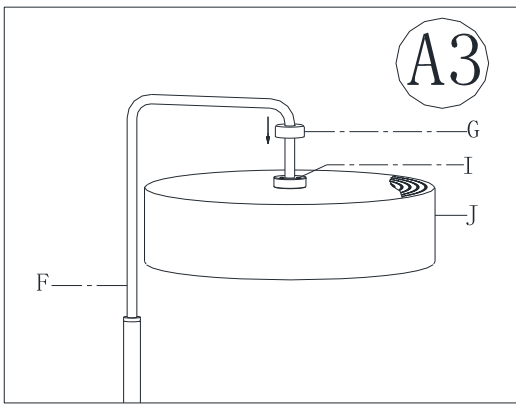
To Assemble:



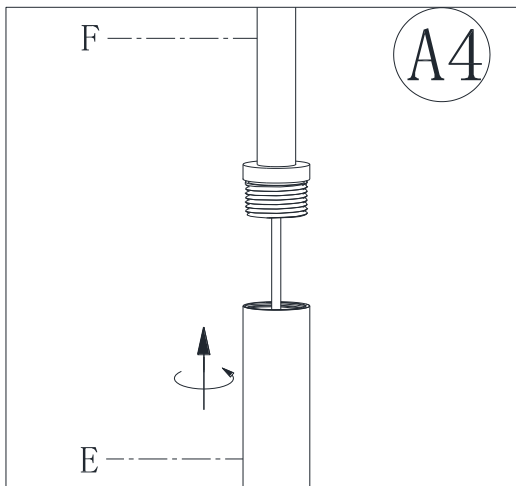
- 1 . Remove 3 Assembly Screws (H) from top head of Lamp Shade (J). Do not discard the Assembly Screws (H) as these will be used later.



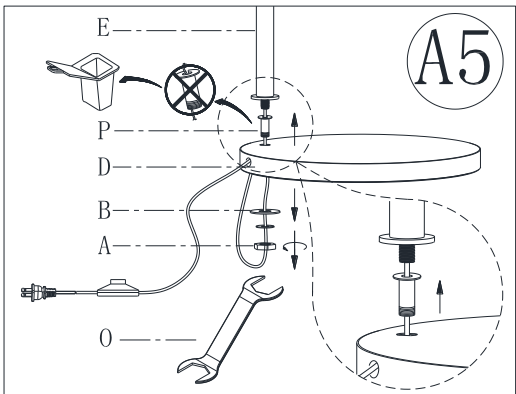
2. Raise the Cover (G) without scratch tube. Put Lamp Shade (J) onto Connection Head (I) aligning with the 3 holes. Fix Lamp Shade (J) by using 3 Assembly Screws (H) and tighten with a screwdriver.



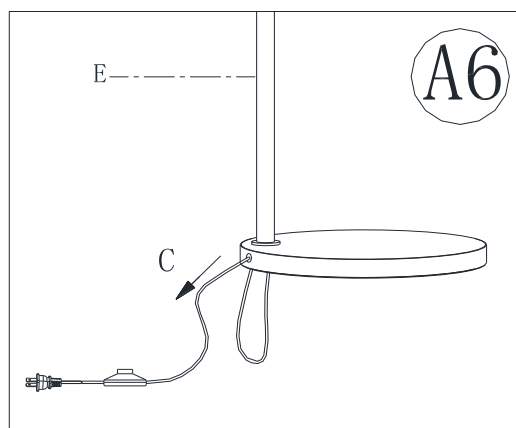
3 . Adjust Cover (G) onto Connection Head (I).



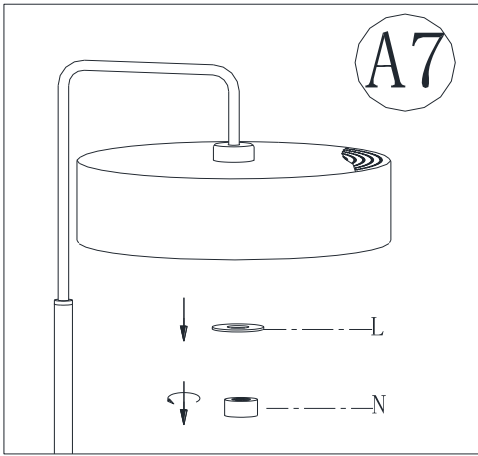
4 . Screw Lower Tube (E) onto Upper Tube (F). And turn clockwise to tighten securely.



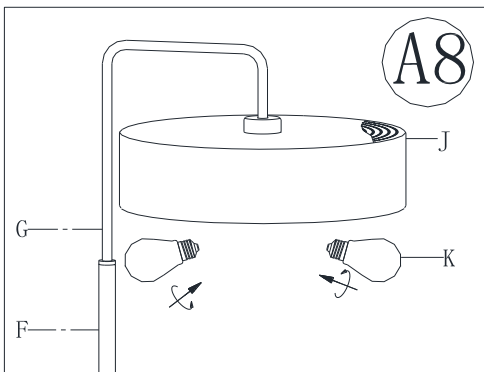
5. Unscrew the Bottom Nut (A) and Washer (B) using the Spanner (O), do not discard the parts as these will be used later. Pull out the Plastic Tube (P) from the hole on the Base (D) then throw it into trash (same as image remark). Put Base (D) onto Lower Tube (E). Make sure Lamp Shade is ahead to front of Base. Screw Bottom Washer (B) and Bottom Nut (A) onto Lower Tube (E). And turn clockwise to tighten securely by the Spanner(O).



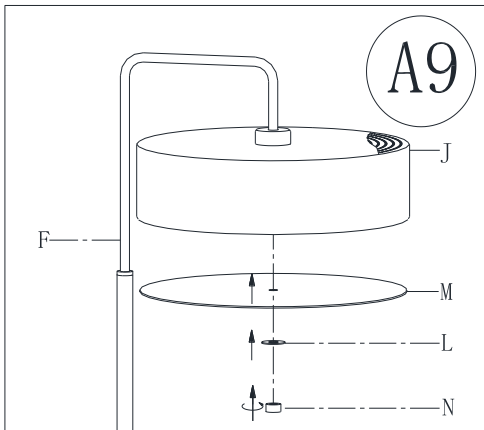
6. Pull Cable(C) out from base and making sure cable is no twist.



7. Remove Flat Washer (L) and Final Nut (N) from nipple. Do not discard the parts as these will be used later.



8. Insert the specified light Bulbs (K) into Sockets. DO NOT EXCEED THE SPECIFIED WATTAGE.



9. Attach Diffuser (M) and Flat Washer (L) onto center nipple . Screw Final Nut (N) onto center nipple and turn clockwise to tighten securely. Insert the plug into a proper electrical outlet and then turn on the switch.

Care instructions:

- Wipe clean with a soft, dry cloth or static duster.
- Always avoid the use of harsh chemicals or abrasive cleaners as they may cause damage to the fixture's finish.

Thank you for your purchase
 Stores | catalog | www.westelm.com
 USA 888-922-4119