



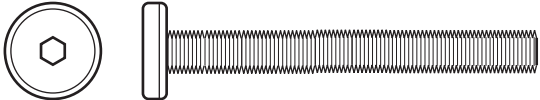

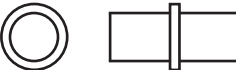
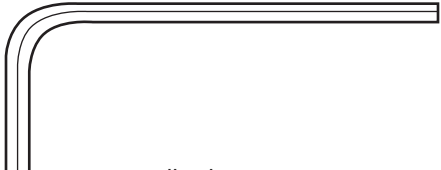
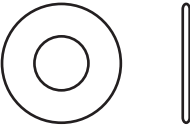



! Tools required: 

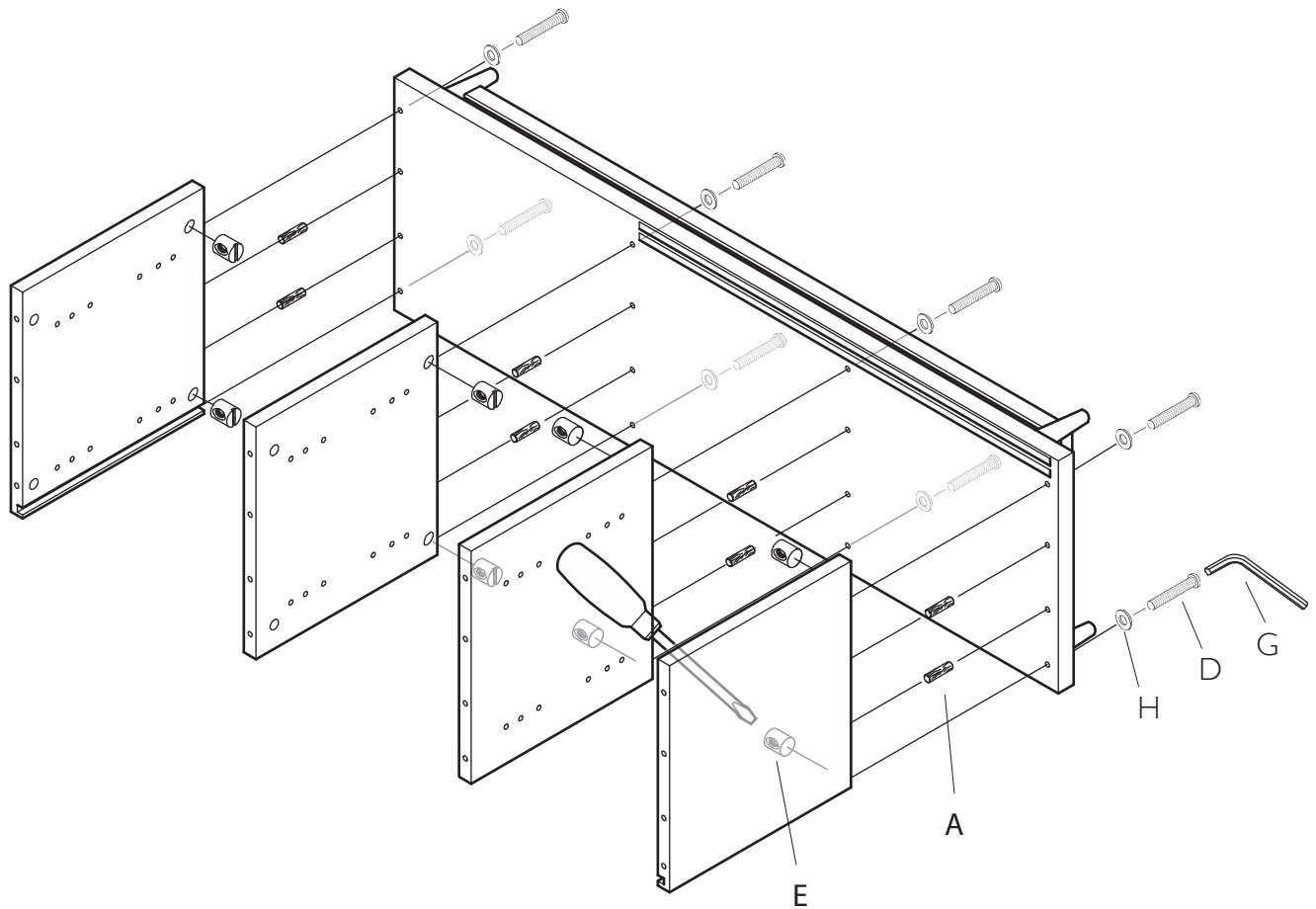
! Do not throw away packaging materials until assembly is complete.

! Assemble this item on a soft surface, such as cardboard or carpet, to protect finish.

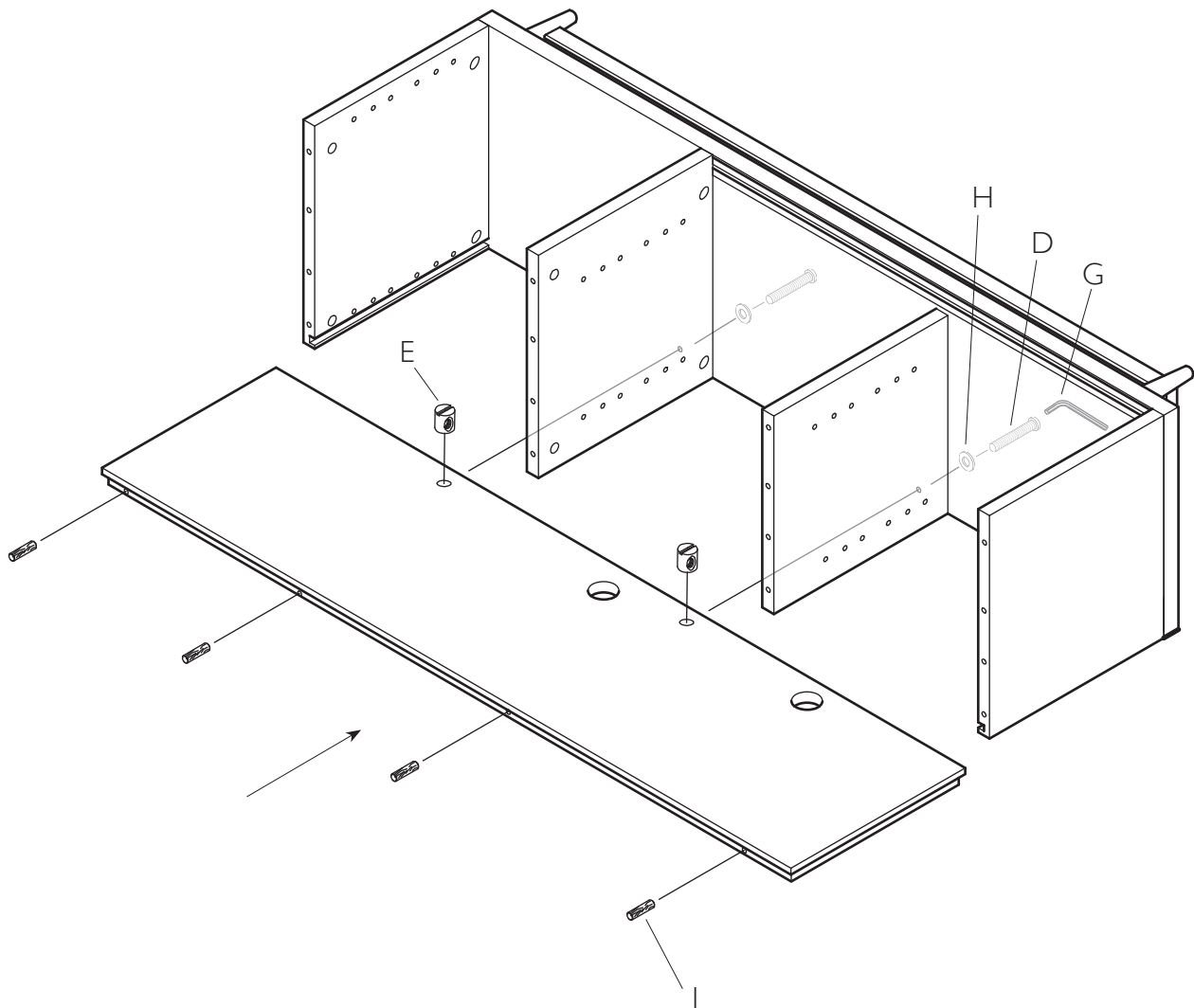
! Proper assembly of this item requires 2 people.

<p>A</p>  <p>long wooden dowel 1 1/2" 16x</p>	<p>B</p>  <p>cam 8x</p>
<p>C</p>  <p>cam lock 8x</p>	<p>D</p>  <p>bolt 10x</p>
<p>E</p>  <p>barrel nut 10x</p>	<p>F</p>  <p>shelf pin 24x</p>
<p>G</p>  <p>allen key 1x</p>	<p>H</p>  <p>metal washer 10x</p>
<p>I</p>  <p>short wooden dowel 1 1/8" 4x</p>	

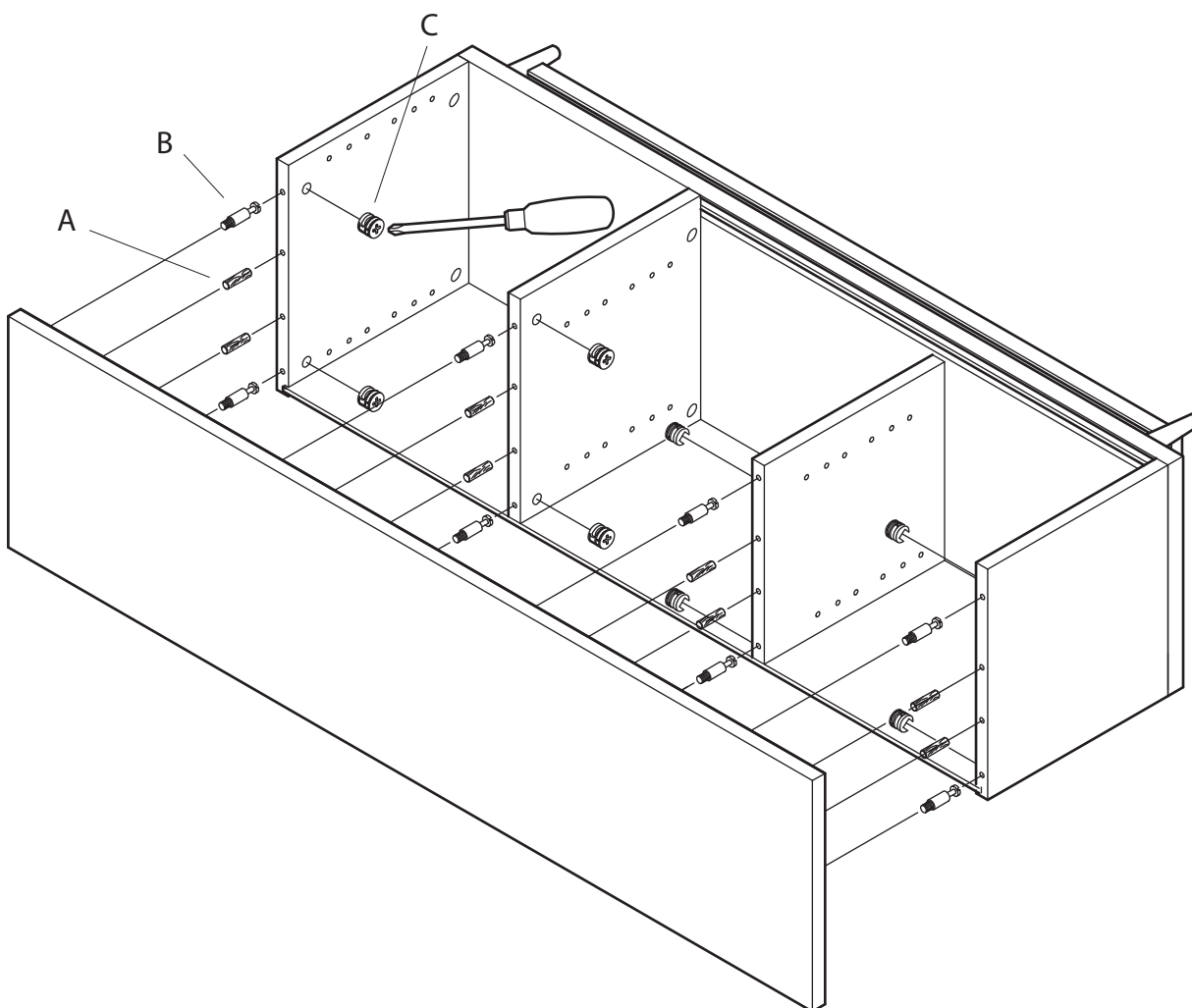
1. Insert wooden dowel (A) into predrilled hole in top face of bottom panel as shown.
2. Insert barrel nut (E) into predrilled hole in face of side panel as shown. Use screwdriver to align opening in barrel nut (E) with hole in bottom edge of side panel.
3. Align holes in bottom edge of side panels with wooden dowels (A) in top face of bottom panel and insert as shown.
4. Insert bolt (D) and washer (H) through predrilled hole in bottom face of bottom panel as shown. Tighten into barrel nut using allen key (G).



5. Insert back panel into grooves in outside panels as shown. The warning sticker on the back panel should face the outside of the cabinet. Slide down fully into place.
6. Insert wood dowels (I) into holes on top of back panel.
7. Insert barrel nut (E) into predrilled hole in face of side panel as shown. Use screwdriver to align opening in barrel nut (E) with hole in bottom edge of side panel.
8. Insert bolt (D) and washer (H) through predrilled hole in bottom face of bottom panel as shown. Tighten using allen key (G).

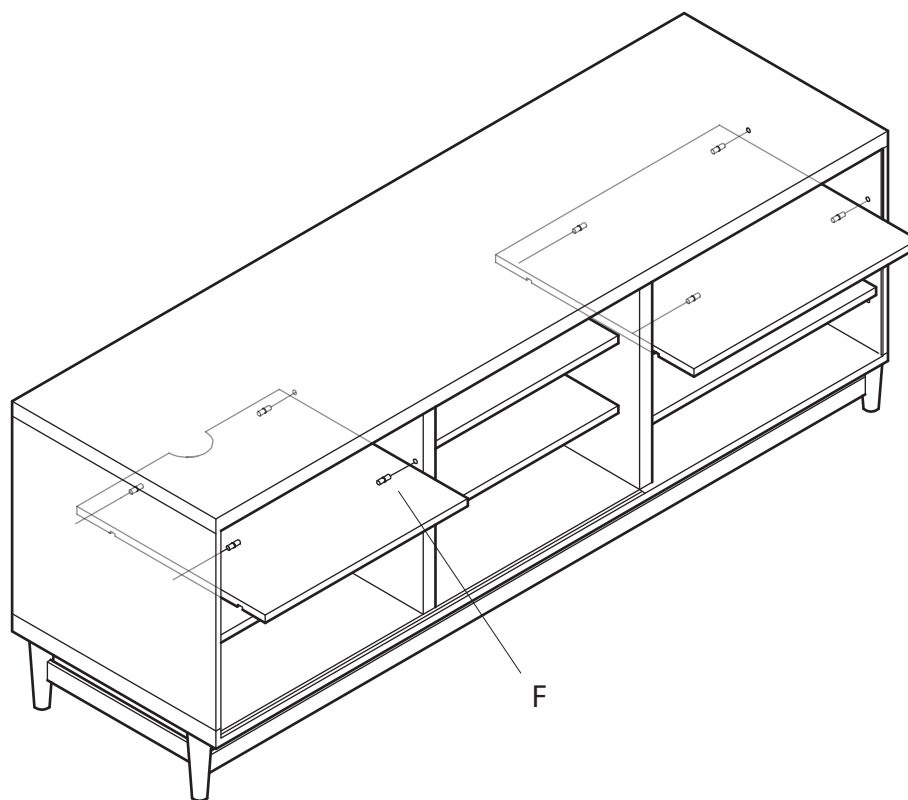


9. Insert wooden dowel (A) into predrilled hole in bottom face of top panel as shown.
10. Insert cam (B) into predrilled hole in bottom face of top panel as shown.
11. Align holes in top edge of side panel with wooden dowels (A) and cams (B) in bottom face of top panel and insert as shown.
12. Insert cam lock (C) into predrilled hole in side panel as shown. Tighten with screwdriver.

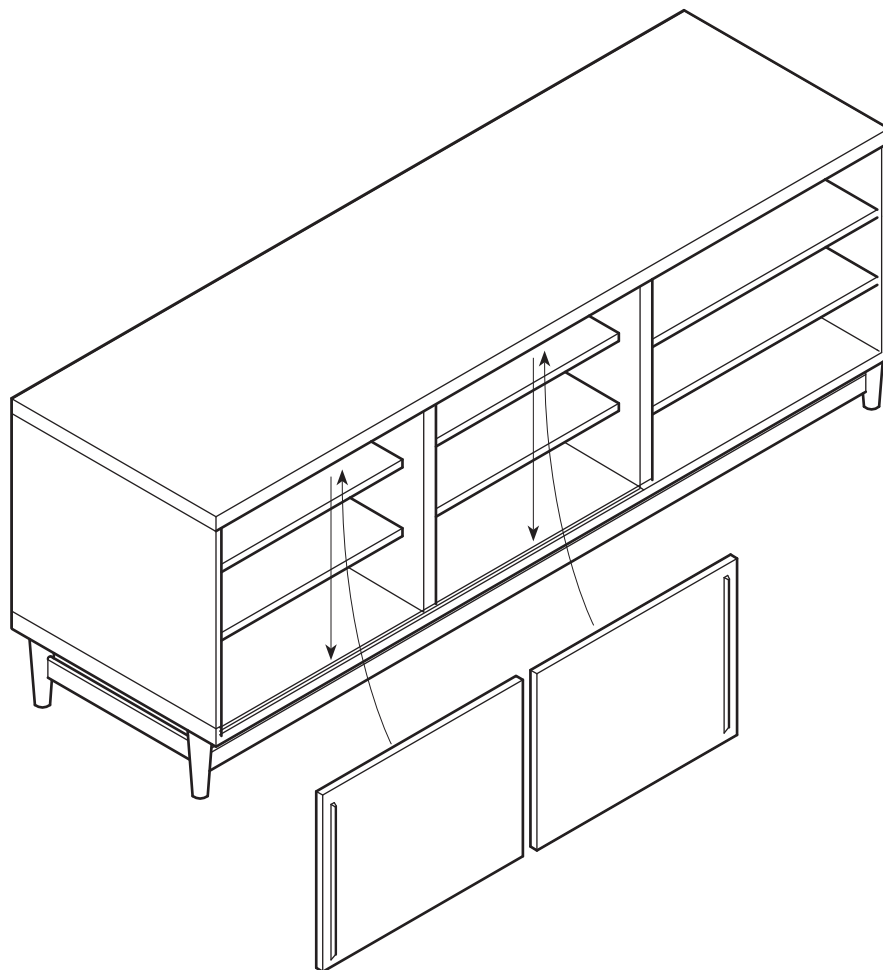


13. Insert shelf pins (F) into predrilled holes along the sides of the vertical panels. Take care to align pins to ensure that the shelves lay evenly.

14. Place the shelves on top of the shelf pins (F). NOTE: Shelves with the notch cut out of the back should be used on the middle and left hand side of the console to align with cable holes in back panel.



15. Angling the bottom edge out slightly, lift door into channel in bottom face of top panel then pivot in bottom edge of door and let it fall into matching channel in top face of bottom panel.



CARE INSTRUCTION

Hardware may loosen over time. Periodically check that all connections are tight.

Wipe with a soft, dry cloth. To protect finish, avoid the use of chemicals and household cleaners.