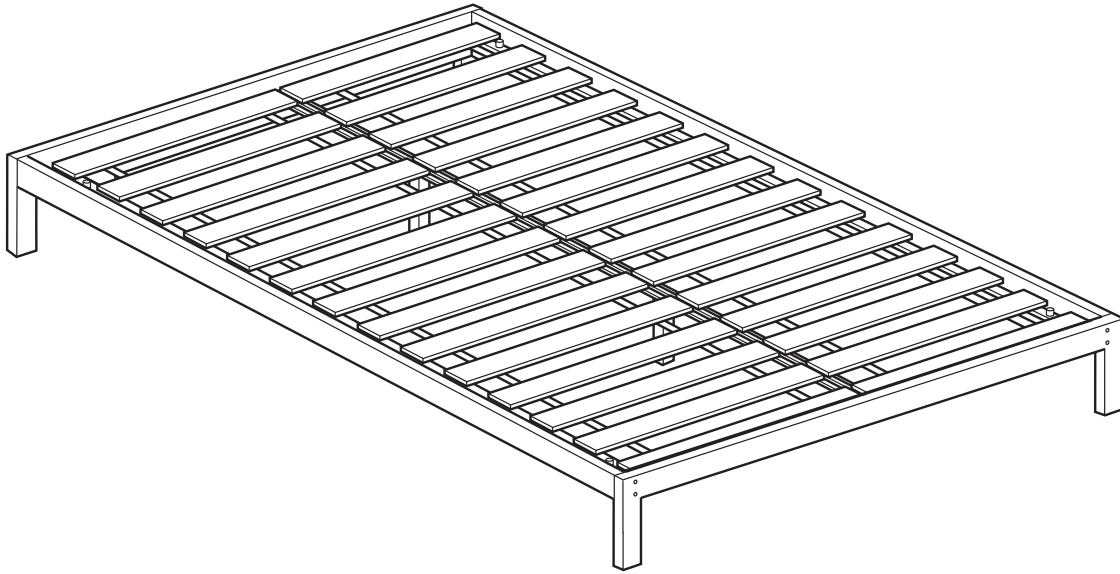
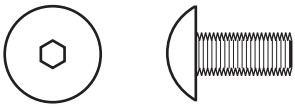

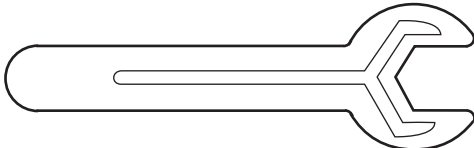
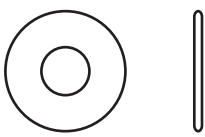



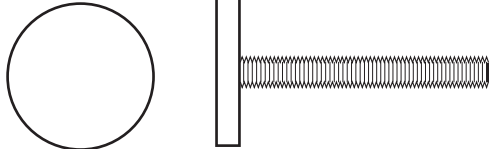
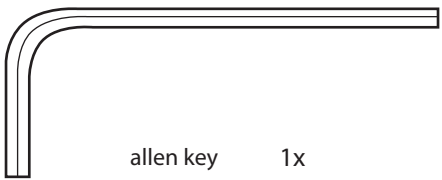


west elm : metal bedframe

assembly instructions



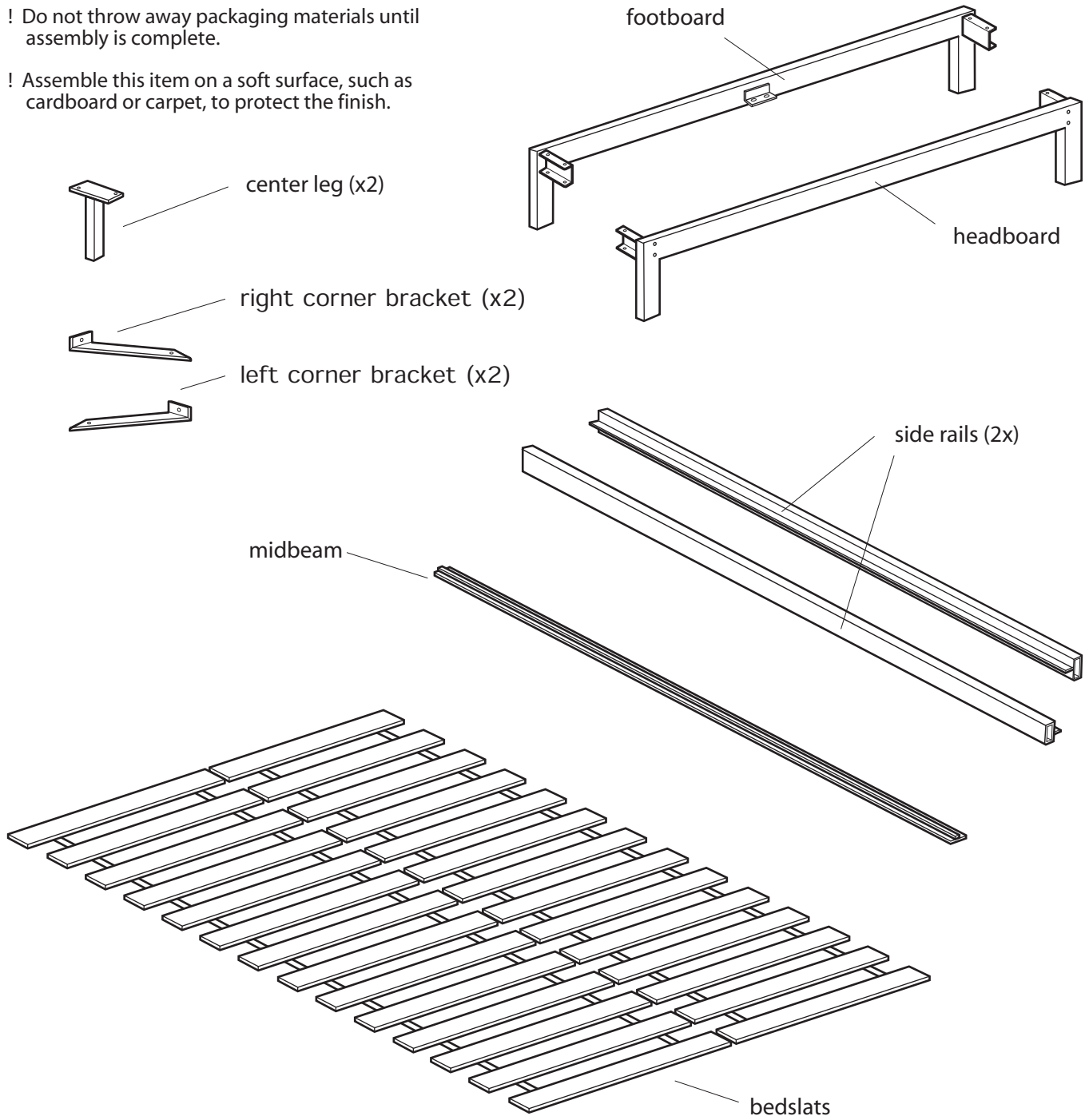
<p>A</p>  <p>bolt: 1/4" DIA x 3/4" 24x</p>	<p>B</p>  <p>bolt: 1/4" DIA x 3/8" 4x</p>	
<p>C</p>  <p>wrench 1x</p>	<p>D</p>  <p>metal washer 32x</p>	
<p>E</p>  <p>lock washer 28x</p>	<p>F</p>  <p>nut 4x</p>	<p>G</p>  <p>stopper 8x</p>
<p>H</p>  <p>foot 2x</p>	<p>I</p>  <p>allen key 1x</p>	

west elm : metal bedframe

assembly instructions

! Do not throw away packaging materials until assembly is complete.

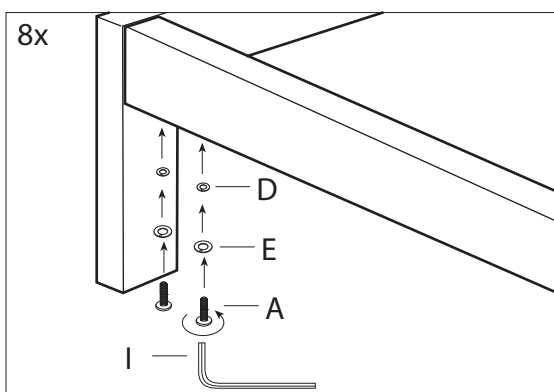
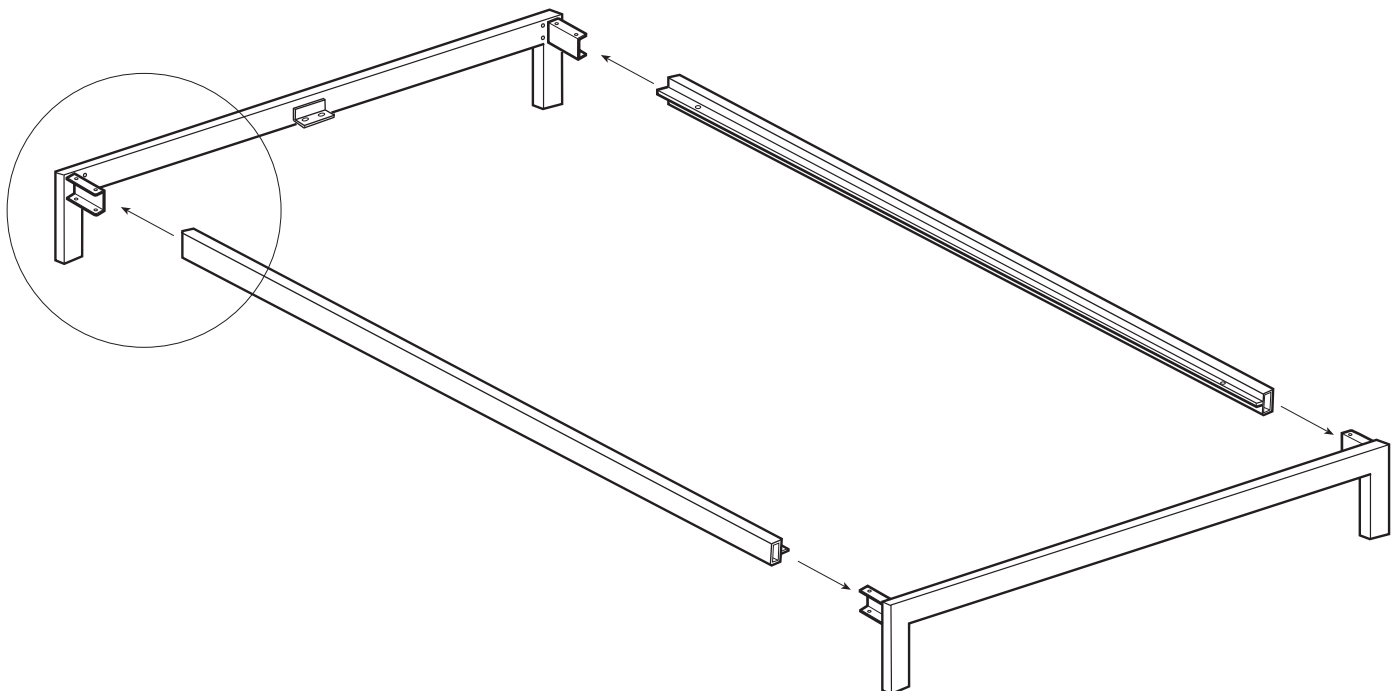
! Assemble this item on a soft surface, such as cardboard or carpet, to protect the finish.



west elm : metal bedframe

assembly instructions

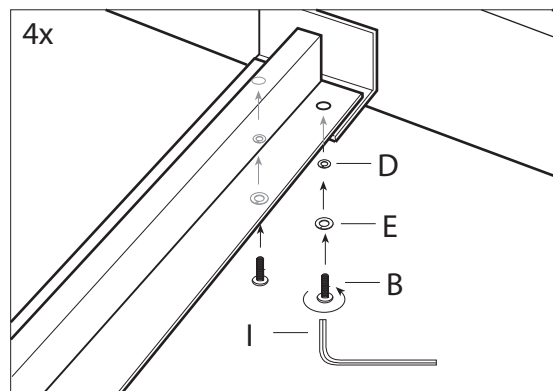
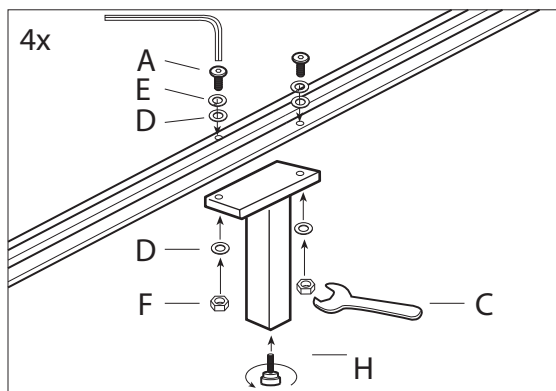
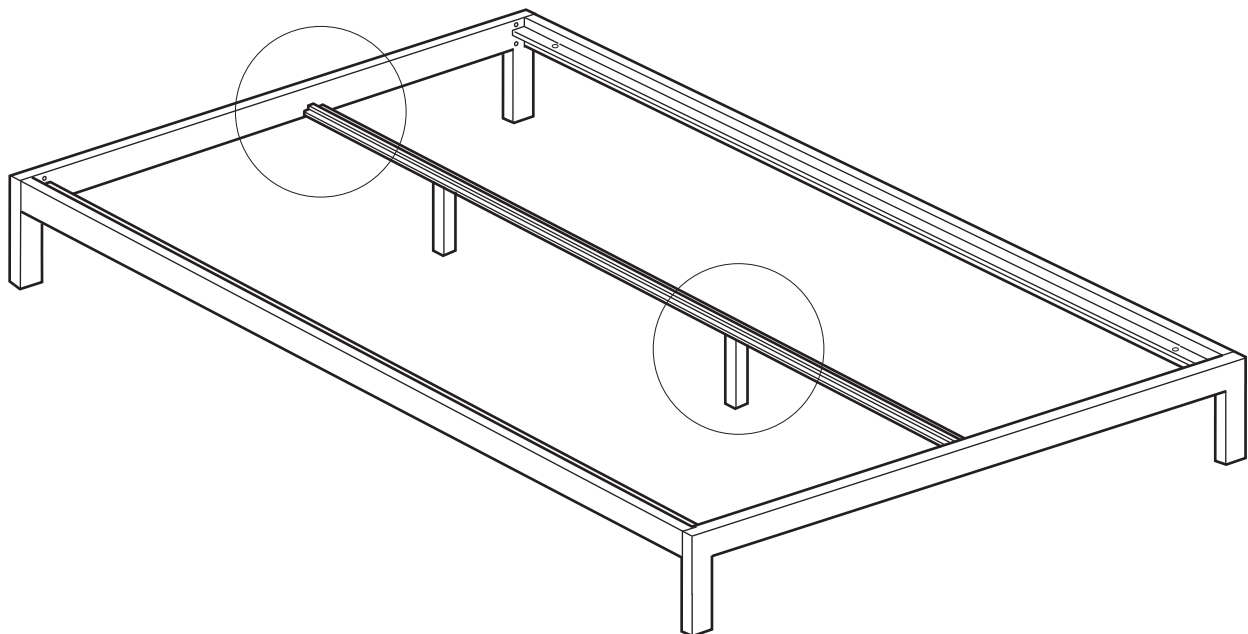
1. Insert the connectors on the footboard into the side rails. Insert metal washer (D) and lock washer (E) with bolt (A). Tighten with allen key (I).
2. Repeat step 1 with the headboard.



west elm : metal bedframe

assembly instructions

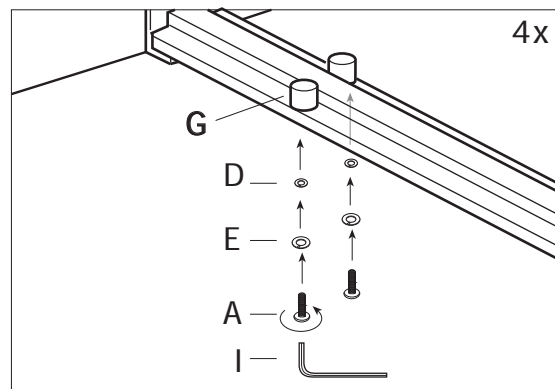
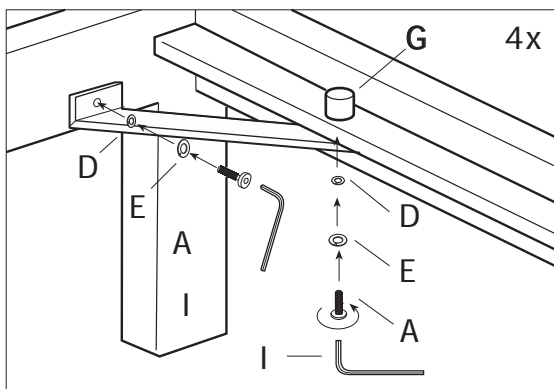
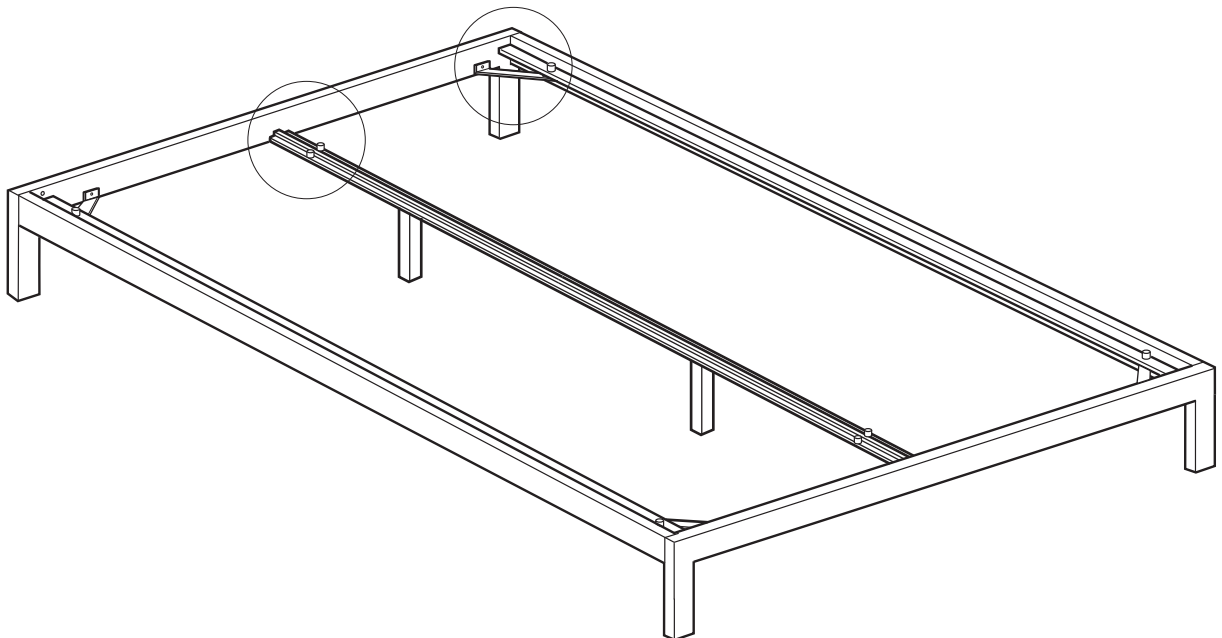
3. Attach the center legs to the midbeam as shown with bolt (A), metal washers (D) locking washer (E), and nut (F) . Tighten with allen key (I) and wrench (C).
4. Attach the midbeam to the ledges on the inside center of the headboard and footboard with bolt (B), metal washer (D) and locking washer (E). Tighten with allen key (I). Adjust feet (H) on center legs as needed.



west elm : metal bedframe

assembly instructions

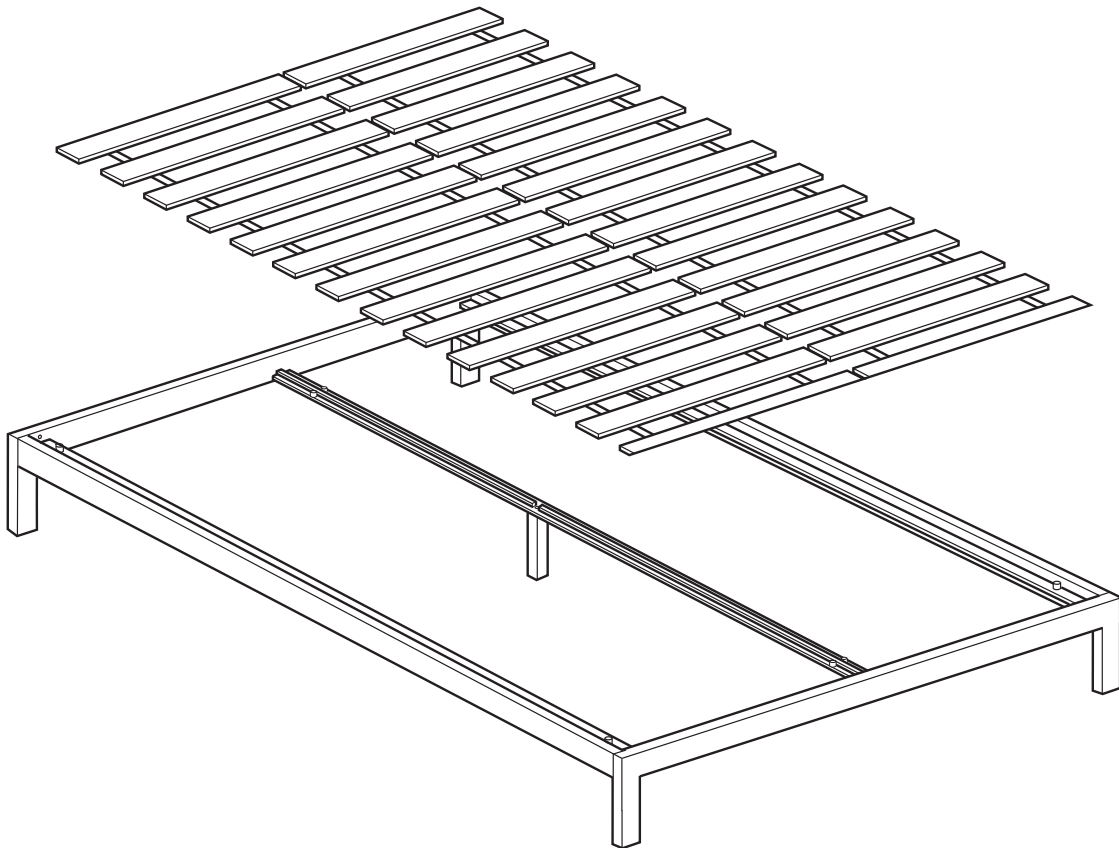
5. Attach corner brackets as shown. Insert metal washer (D) and lock washer (E) with bolt (A) through side rail and into stopper (G). Tighten with allen key (I).
6. Next, insert metal washer (D) and lock washer (E) with bolt (A) into end-board. Tighten with allen key (I).
7. Repeat steps 5 and 6 at each corner.
8. Attach stoppers (G) to top side of midbeam as shown. Insert metal washer (D) and lock washer (E) with bolt (A) through side rail and into stopper (G). Tighten with allen key (I).



west elm : metal bedframe

assembly instructions

9. Install slats. Position the bedslats as shown. The stoppers at each end of the bed prevent the bedslats from moving.



CARE INSTRUCTIONS.

Hardware may loosen over time. Periodically check that all connections are tight.

Headboards are designed for placement against a wall.

Moisten a clean, soft cloth with undiluted white or cider vinegar and wipe the surface clean. To remove streaks or stains, dampen a clean, soft cloth with club soda and rub the surface.

Do not use harsh abrasives or steel wool on stainless steel, as they will create a network of tiny scratches on the surface.

As with other stainless steel products, such as cookware and tools, some scratches are inevitable and should be regarded as part of the natural patina.