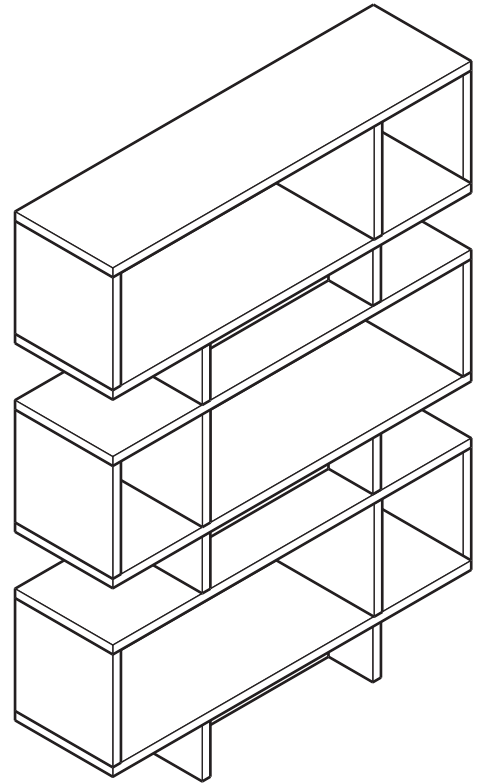
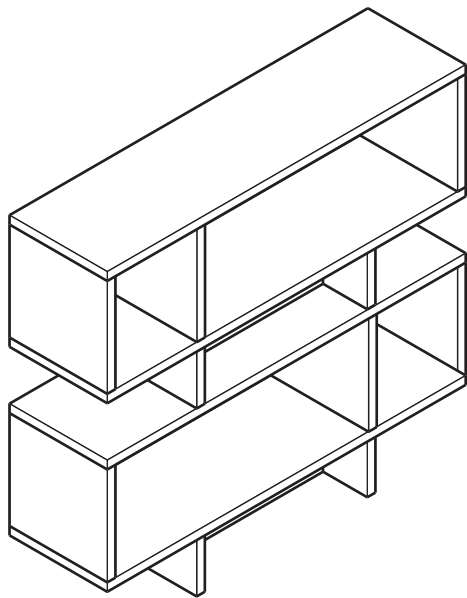


# west elm : stacked modular bookcase

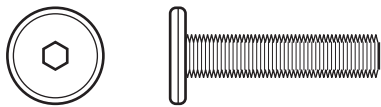

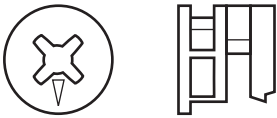
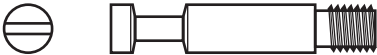
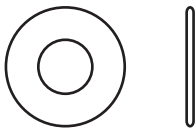

## assembly instructions



! Tools required: 

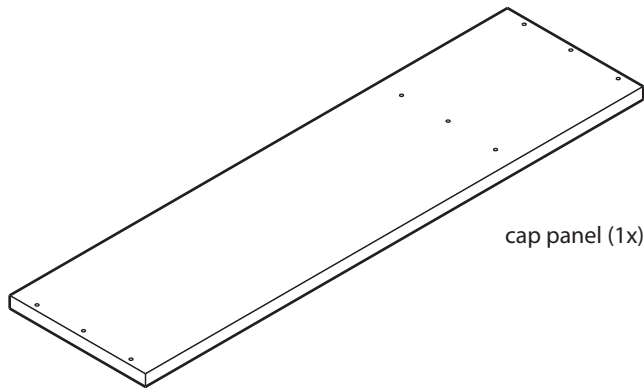
! Do not throw away packaging materials until assembly is complete.

! Assemble this item on a soft surface, such as cardboard or carpet, to protect the finish.

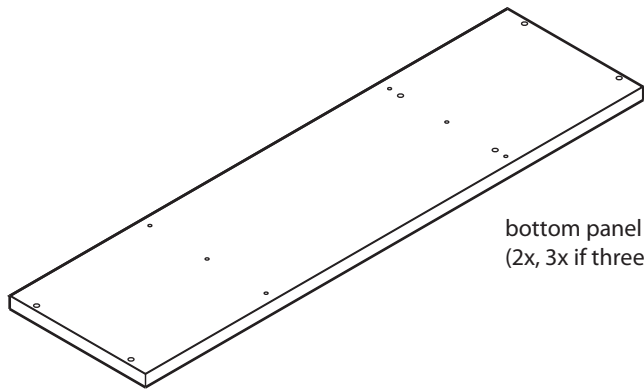
<p><b>A</b></p>  <p>bolt: 1/4" dia x 1 1/4" 16x (22x if three shelves)</p>	<p><b>B</b></p>  <p>allen key 1x</p>
<p><b>C</b></p>  <p>cam lock 20x (30x if three shelves)</p>	<p><b>D</b></p>  <p>cam 20x (30x if three shelves)</p>
<p><b>E</b></p>  <p>metal washer 16x (22x if three shelves)</p>	<p><b>F</b></p>  <p>wood dowel 26x (38x if three shelves)</p>

# west elm : stacked modular bookcase

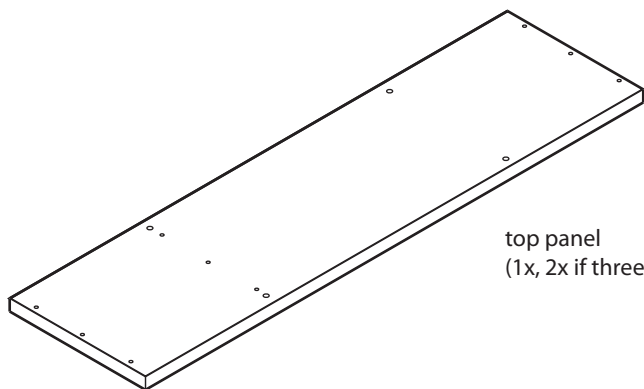
## assembly instructions



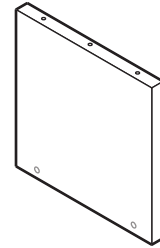
cap panel (1x)



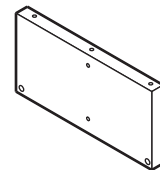
bottom panel  
(2x, 3x if three shelves)



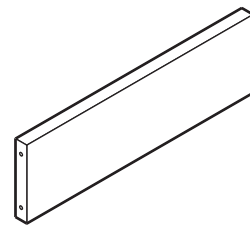
top panel  
(1x, 2x if three shelves)



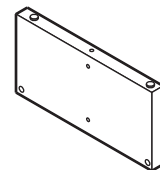
tall side panel  
(6x, 9x if three shelves)



short side panel  
(2x, 4x if three shelves)



cross panel  
(2x, 3x if three shelves)

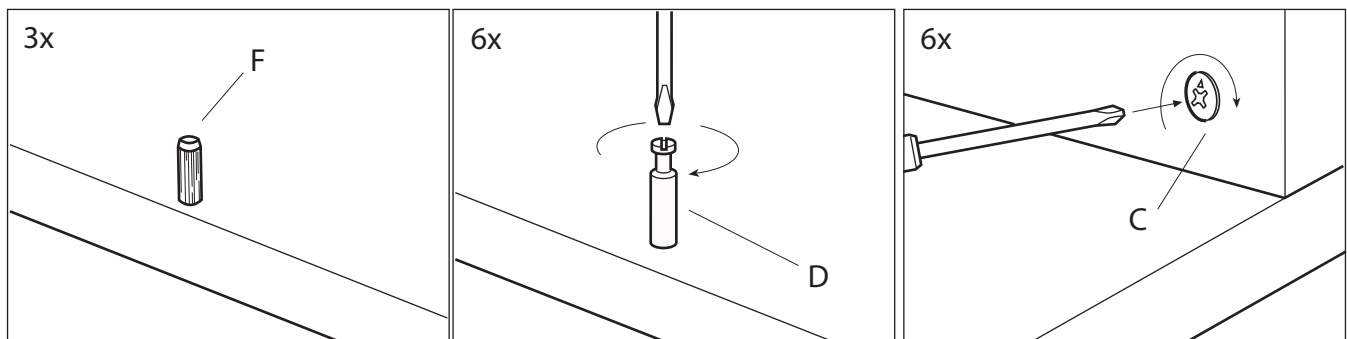
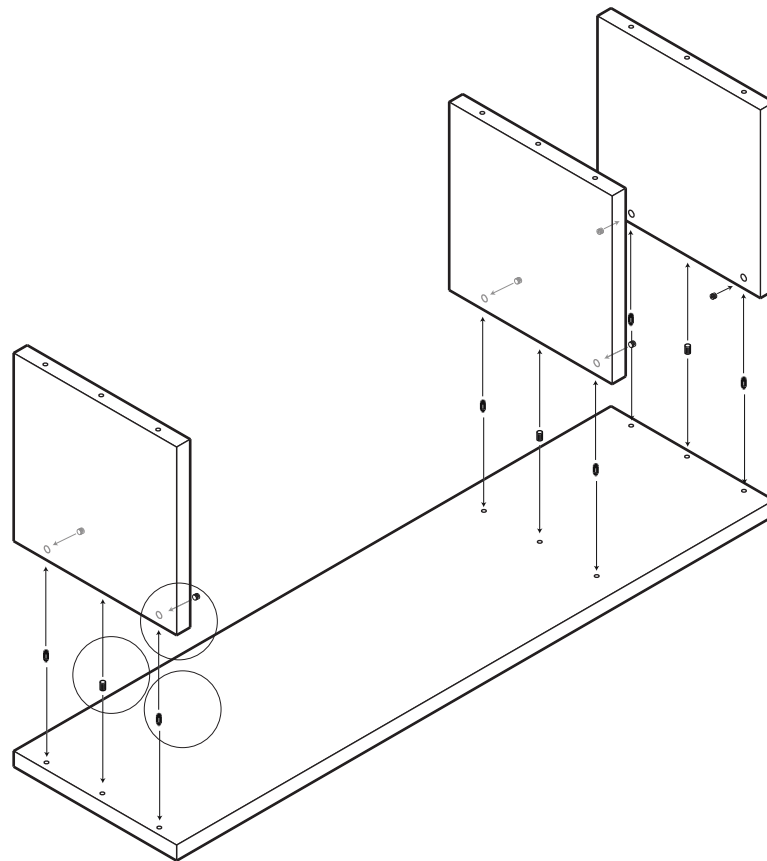


foot panel (2x)

# west elm : stacked modular bookcase

## assembly instructions

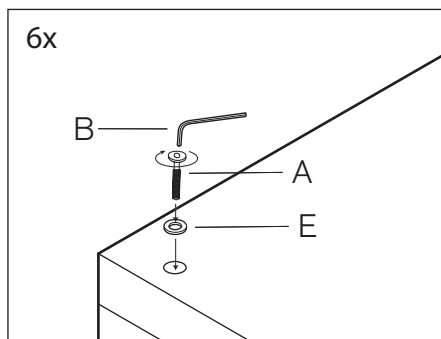
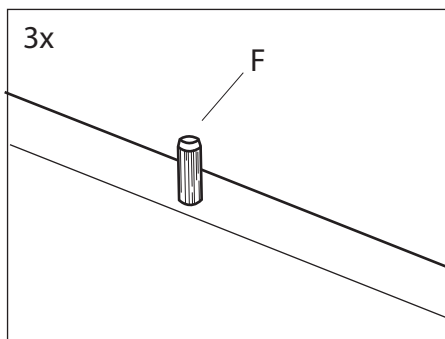
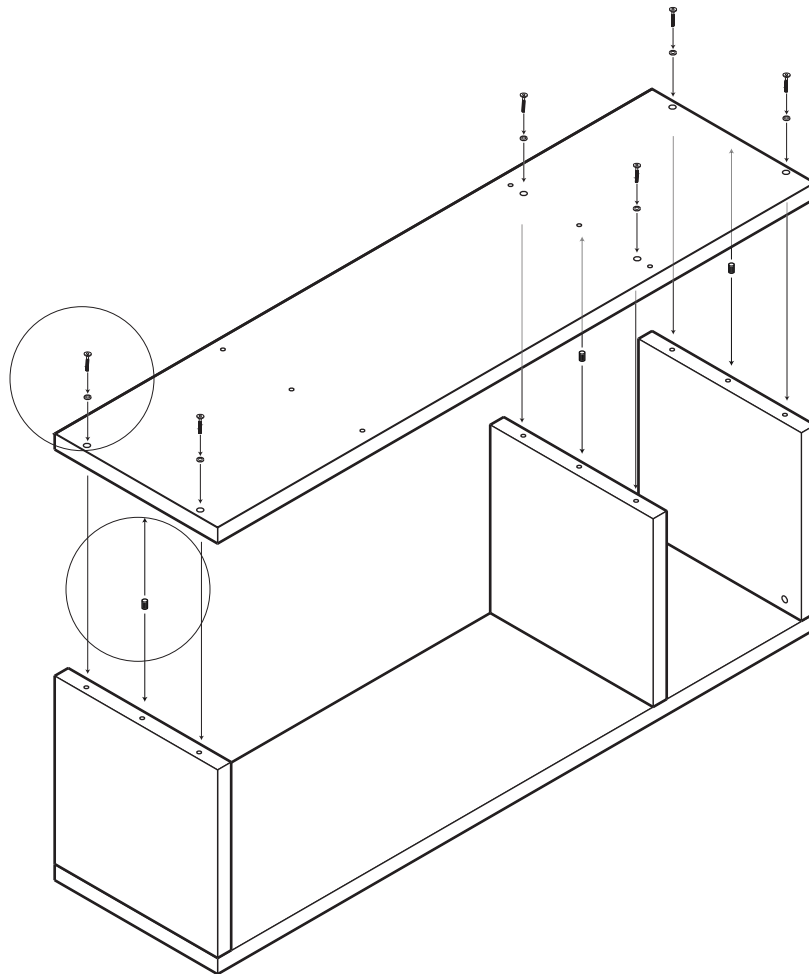
1. Assembly begins with the bookcase upside down. Insert wooden dowels (F) into pre-drilled holes in the bottom-side of the cap panel as shown.
2. Insert cams (D) into pre-drilled holes in the bottom-side of the cap panel as shown. Tighten with phillips-head screw driver.
3. Set tall side panels into place over cams and wooden dowels as shown. Insert cam locks (C) into pre-drilled holes in the tall side panels as shown. Tighten with phillips-head screw driver.



# west elm : stacked modular bookcase

## assembly instructions

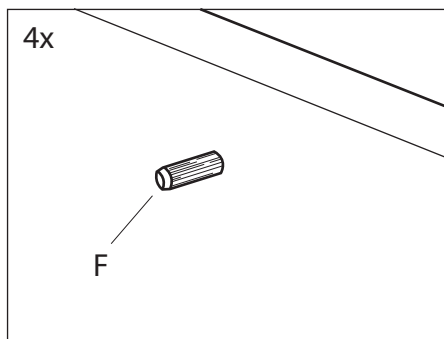
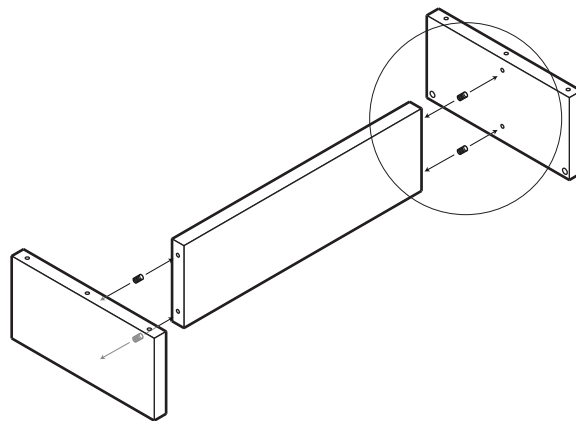
4. Insert wooden dowels (F) into pre-drilled holes along the bottom edge of tall side panel as shown.
5. Insert bolts (A) with metal washers (E) through pre-drilled holes in bottom panel and into pre-drilled holes along the bottom edge of the tall side panels as shown.



# west elm : stacked modular bookcase

## assembly instructions

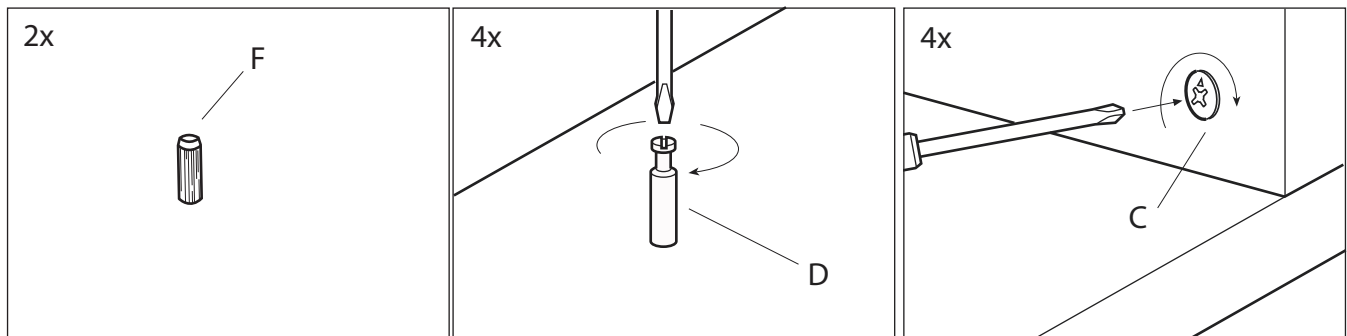
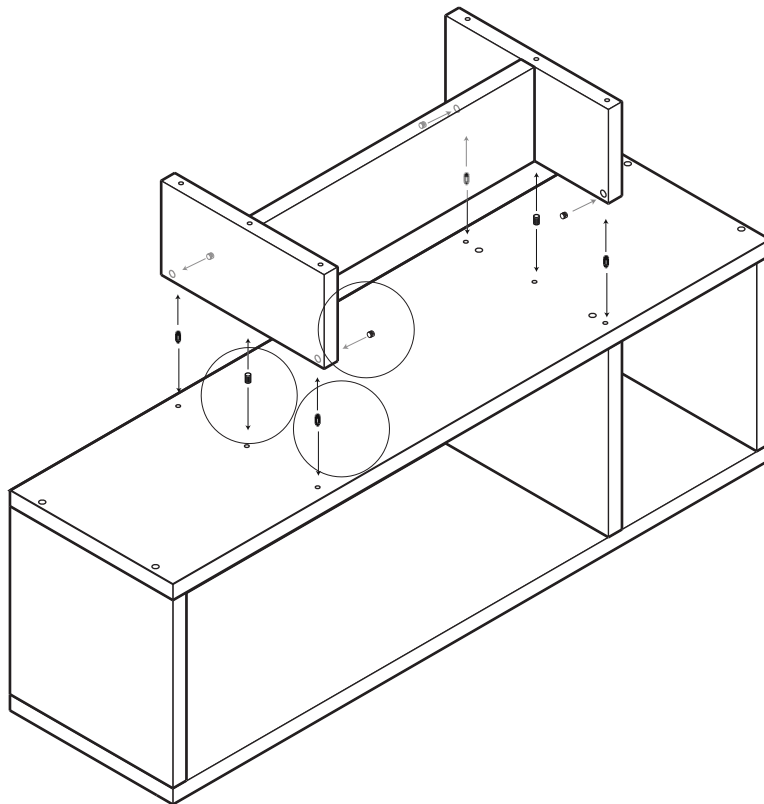
6. Insert wooden dowels (F) into pre-drilled holes along the edge of the cross panel as shown. Align dowels in cross panel with holes in the face of the short side panel and insert.



# west elm : stacked modular bookcase

## assembly instructions

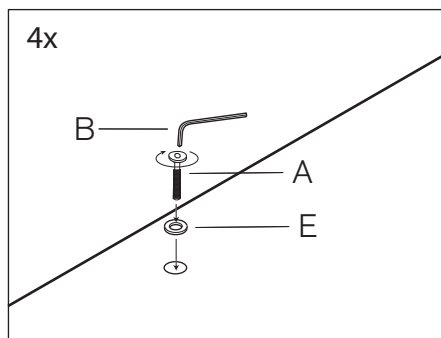
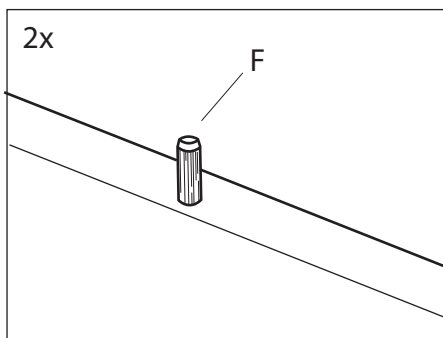
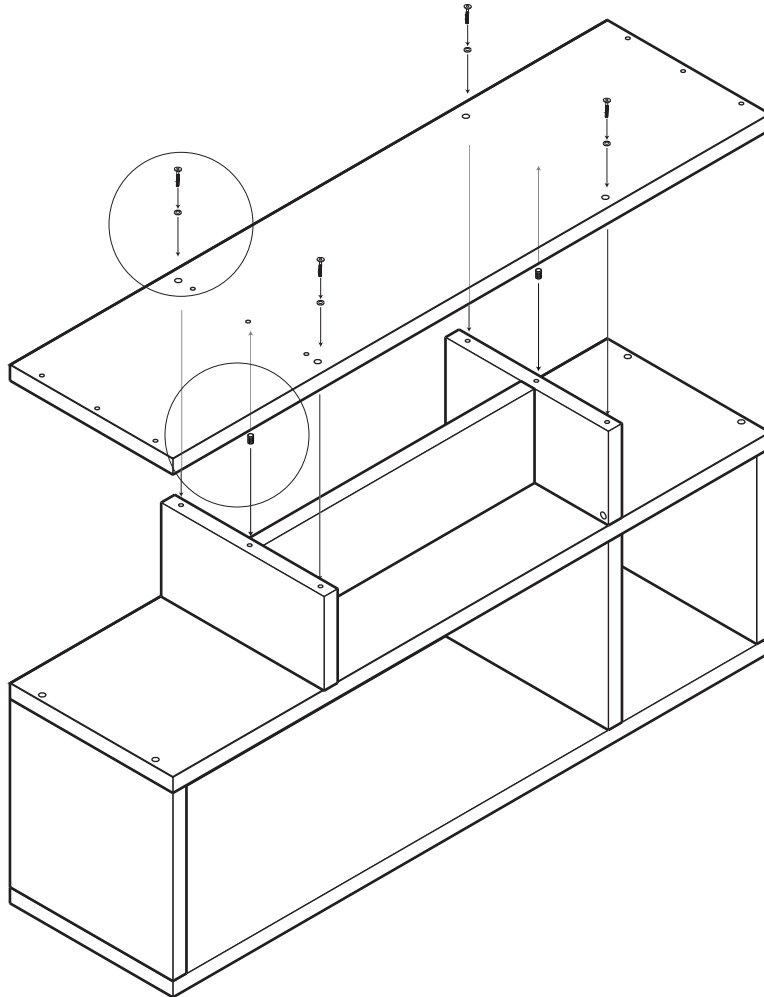
7. Insert wooden dowels (F) into pre-drilled holes in the bottom-side of the bottom panel as shown.
8. Insert cams (D) into pre-drilled holes in the bottom-side of the bottom panel as shown. Tighten with phillips-head screw driver.
9. Set short side panels into place over cams and wooden dowels as shown. Insert cam locks (C) into pre-drilled holes in the tall side panels as shown. Tighten with phillips-head screw driver.



# west elm : stacked modular bookcase

## assembly instructions

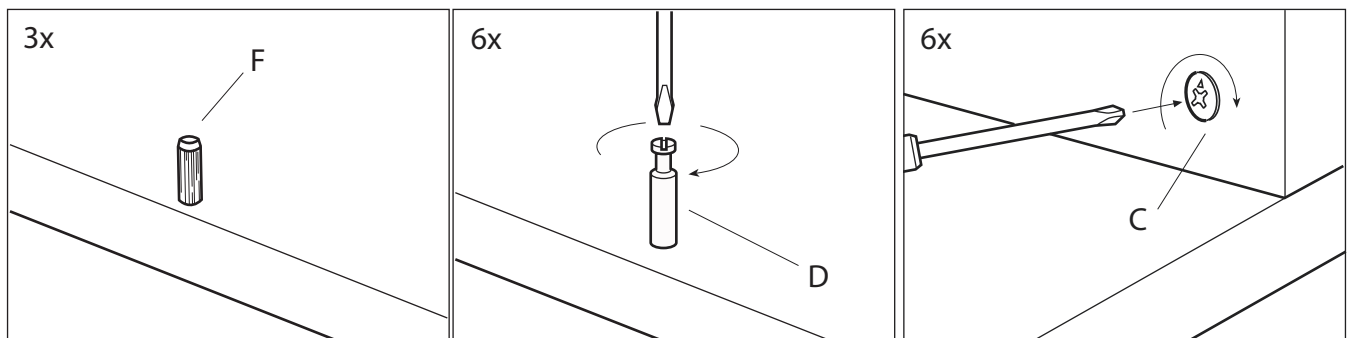
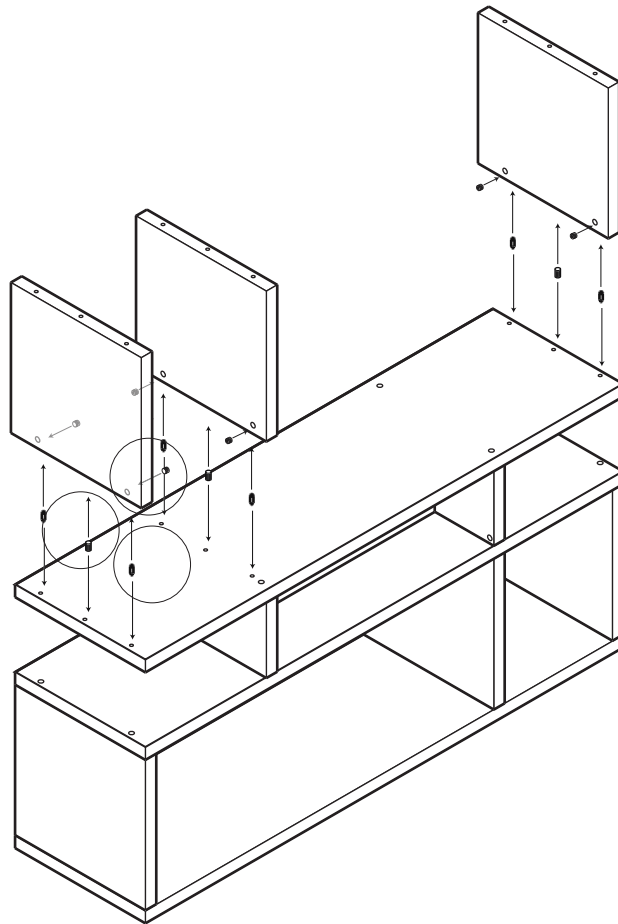
10. Insert wooden dowels (F) into pre-drilled holes along the bottom edge of short side panel as shown.
11. Insert bolts (A) with metal washers (E) through pre-drilled holes in top panel and into pre-drilled holes along the bottom edge of the short side panels as shown.



# west elm : stacked modular bookcase

## assembly instructions

12. Insert wooden dowels (F) into pre-drilled holes in the bottom-side of the top panel as shown.
13. Insert cams (D) into pre-drilled holes in the bottom-side of the top panel as shown. Tighten with phillips-head screw driver.
14. Set tall side panels into place over cams and wooden dowels as shown. Insert cam locks (C) into pre-drilled holes in the tall side panels as shown. Tighten with phillips-head screw driver.



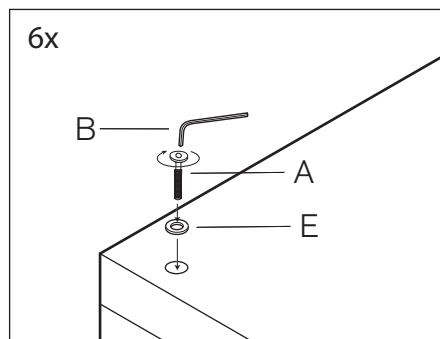
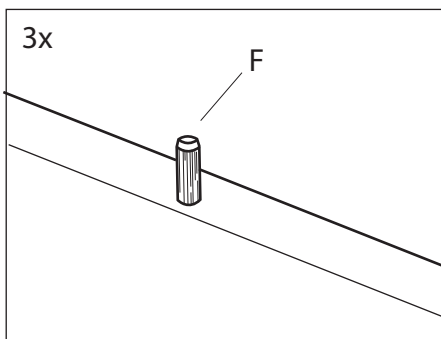
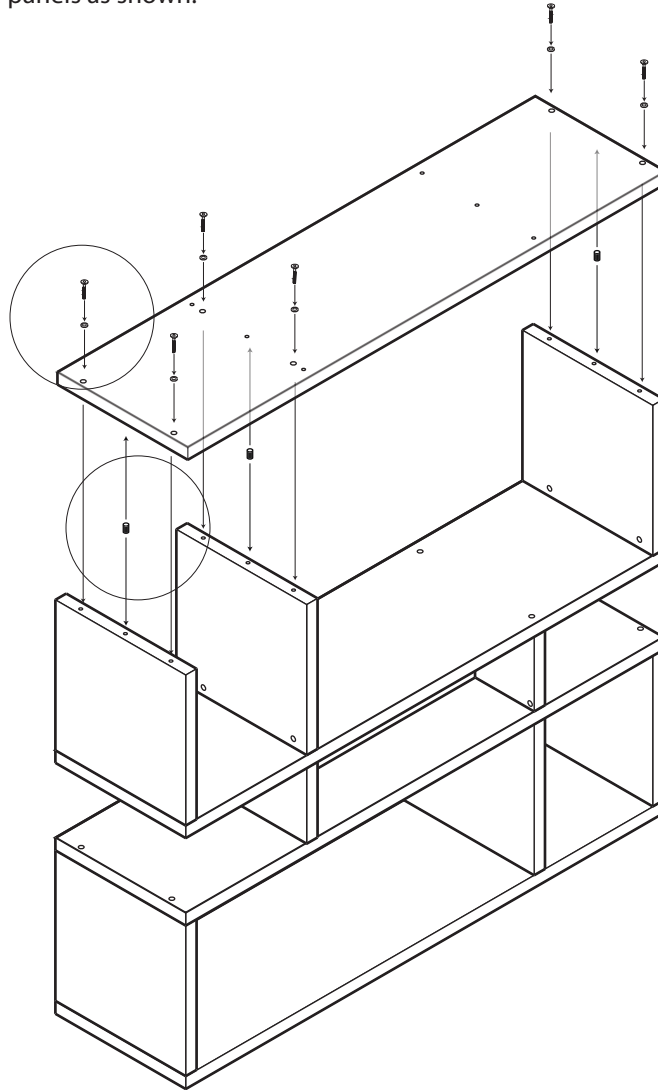


# west elm : stacked modular bookcase

## assembly instructions

15. Insert wooden dowels (F) into pre-drilled holes along the bottom edge of tall side panel as shown.

16. Insert bolts (A) with metal washers (E) through pre-drilled holes in bottom panel and into pre-drilled holes along the bottom edge of the tall side panels as shown.

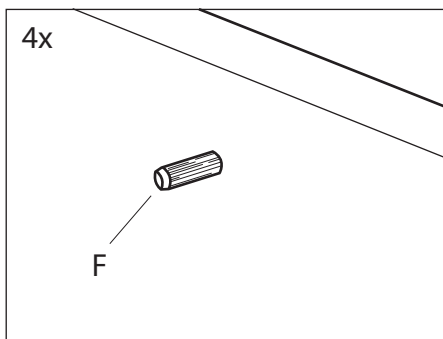
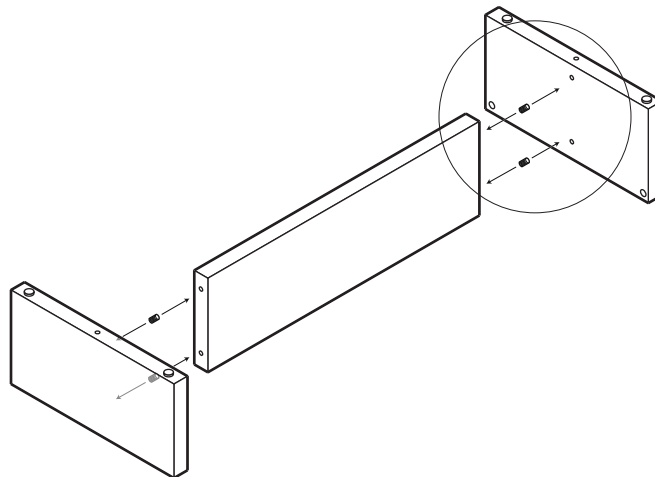


# west elm : stacked modular bookcase

## assembly instructions

**IMPORTANT NOTE:** IF ASSEMBLING A THREE UNIT HIGH MODULAR BOOKCASE, SKIP STEPS 17-20 ON THIS PAGE AND THE NEXT AND PROCEED TO STEP 21 ON PAGE 12.

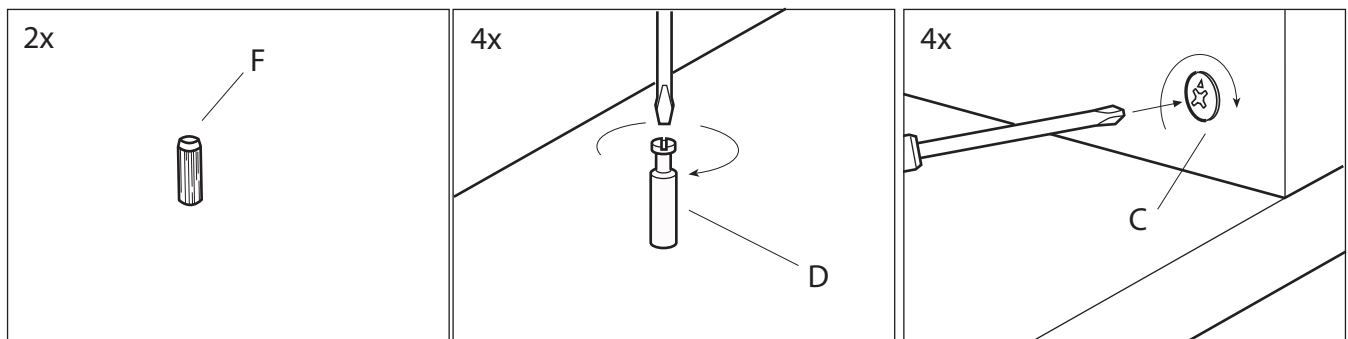
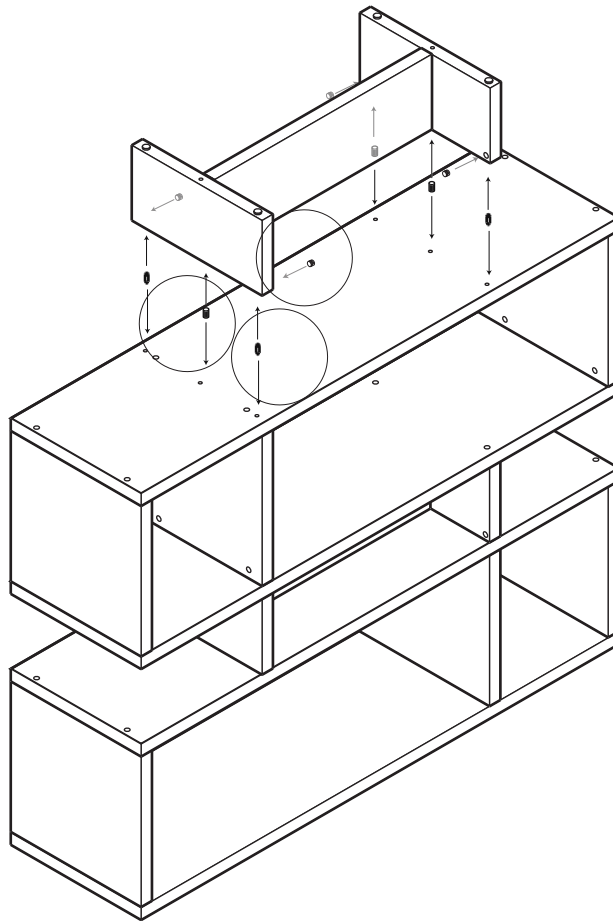
17. Insert wooden dowels (F) into pre-drilled holes along the edge of the cross panel as shown. Align dowels in cross panel with holes in the face of the foot panel and insert.



# west elm : stacked modular bookcase

## assembly instructions

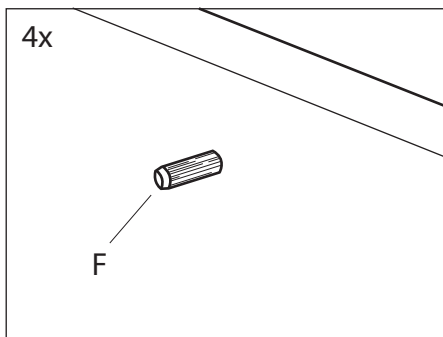
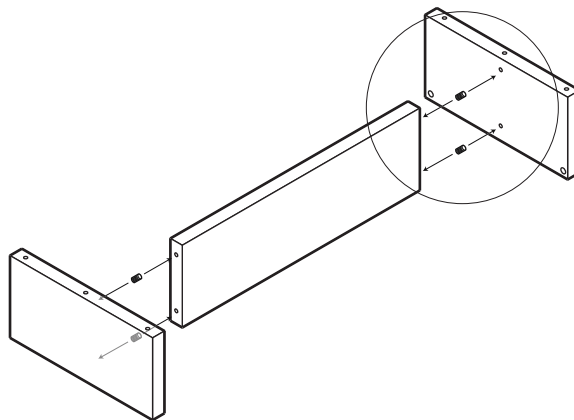
18. Insert wooden dowels (F) into pre-drilled holes in the bottom-side of the bottom panel as shown.
19. Insert cams (D) into pre-drilled holes in the bottom-side of the bottom panel as shown. Tighten with phillips-head screw driver
20. Set short side panels into place over cams and wooden dowels as shown. Insert cam locks (C) into pre-drilled holes in the foot panels as shown. Tighten with phillips-head screw driver.



# west elm : stacked modular bookcase

## assembly instructions

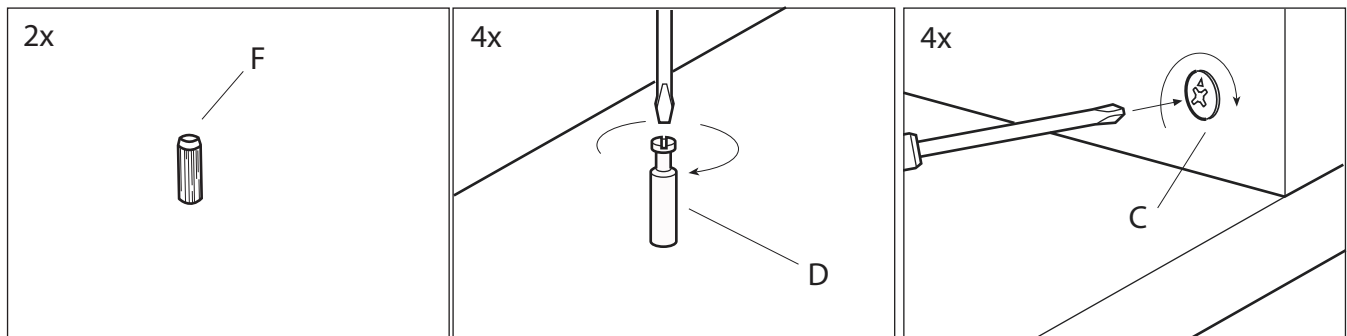
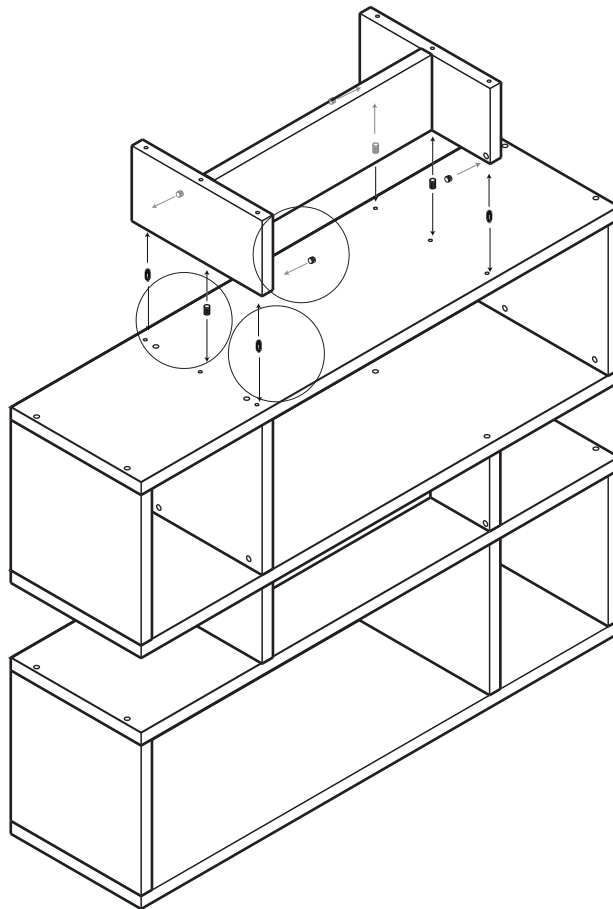
21. Insert wooden dowels (F) into pre-drilled holes along the edge of the cross panel as shown. Align dowels in cross panel with holes in the face of the short side panel and insert.



# west elm : stacked modular bookcase

## assembly instructions

23. Insert wooden dowels (F) into pre-drilled holes in the bottom-side of the bottom panel as shown.
24. Insert cams (D) into pre-drilled holes in the bottom-side of the bottom panel as shown. Tighten with phillips-head screw driver
25. Set short side panels into place over cams and wooden dowels as shown. Insert cam locks (C) into pre-drilled holes in the tall side panels as shown. Tighten with phillips-head screw driver.

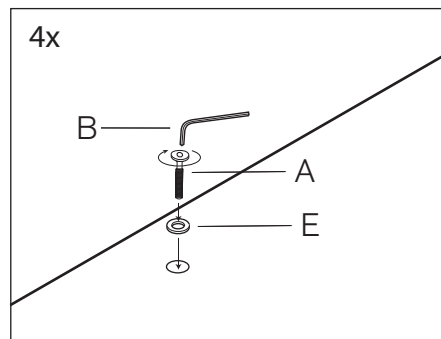
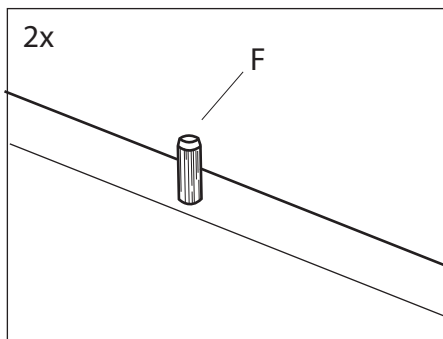
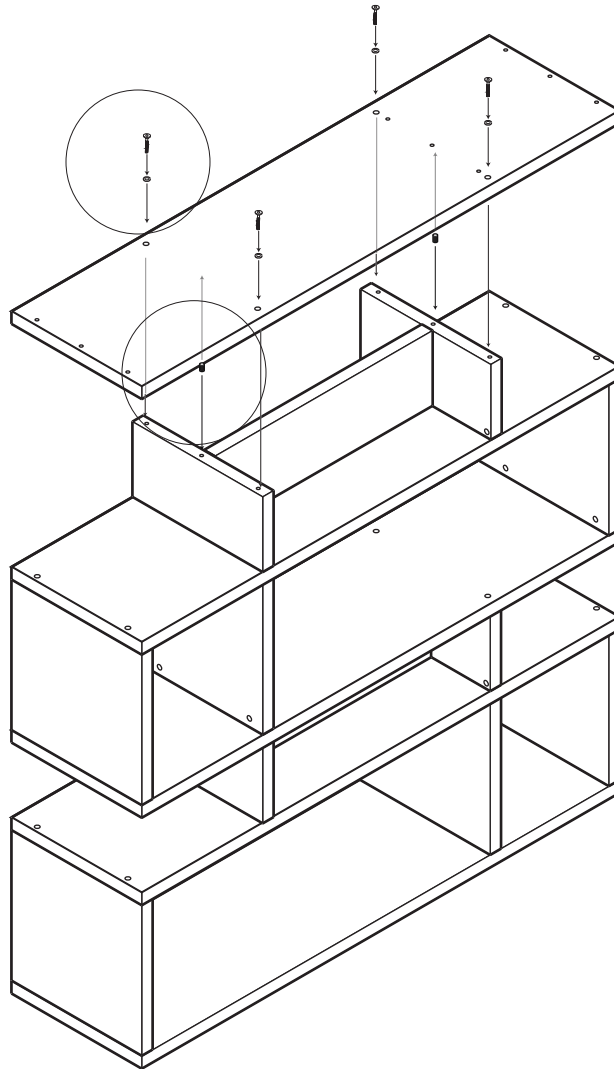


# west elm : stacked modular bookcase

## assembly instructions

26. Insert wooden dowels (F) into pre-drilled holes along the bottom edge of short side panel as shown.

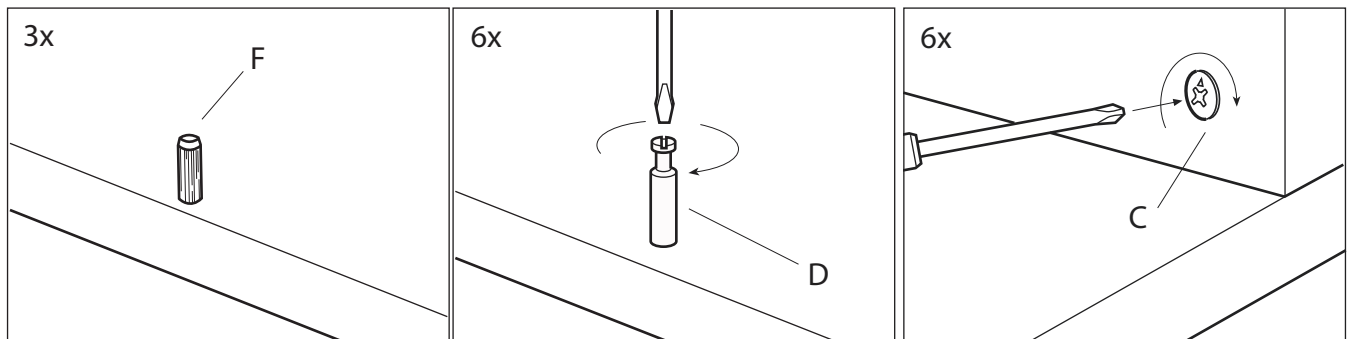
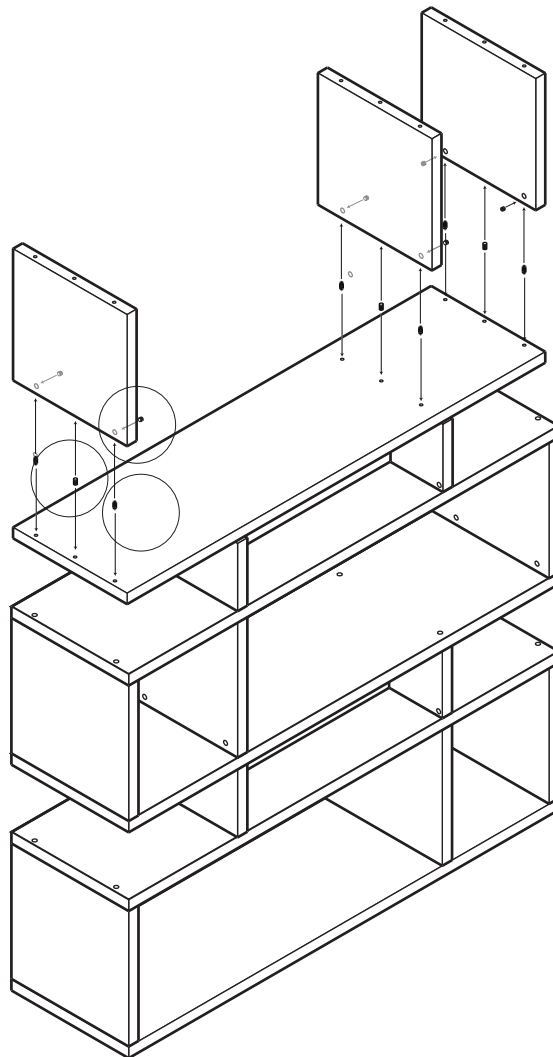
27. Insert bolts (A) with metal washers (E) through pre-drilled holes in top panel and into pre-drilled holes along the bottom edge of the short side panels as shown.



# west elm : stacked modular bookcase

## assembly instructions

28. Insert wooden dowels (F) into pre-drilled holes in the bottom-side of the top panel as shown.
29. Insert cams (D) into pre-drilled holes in the bottom-side of the top panel as shown. Tighten with phillips-head screw driver.
30. Set tall side panels into place over cams and wooden dowels. Insert cam locks (C) into pre-drilled holes in the tall side panels as shown. Tighten with phillips-head screw driver.

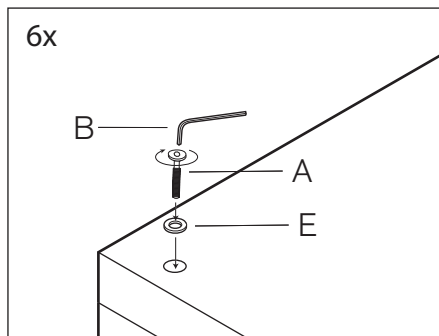
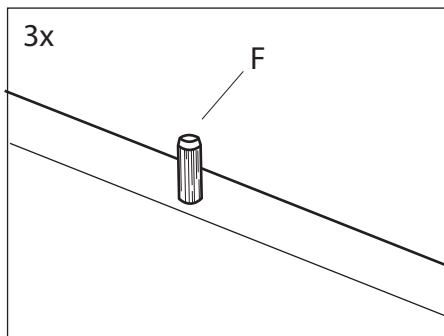
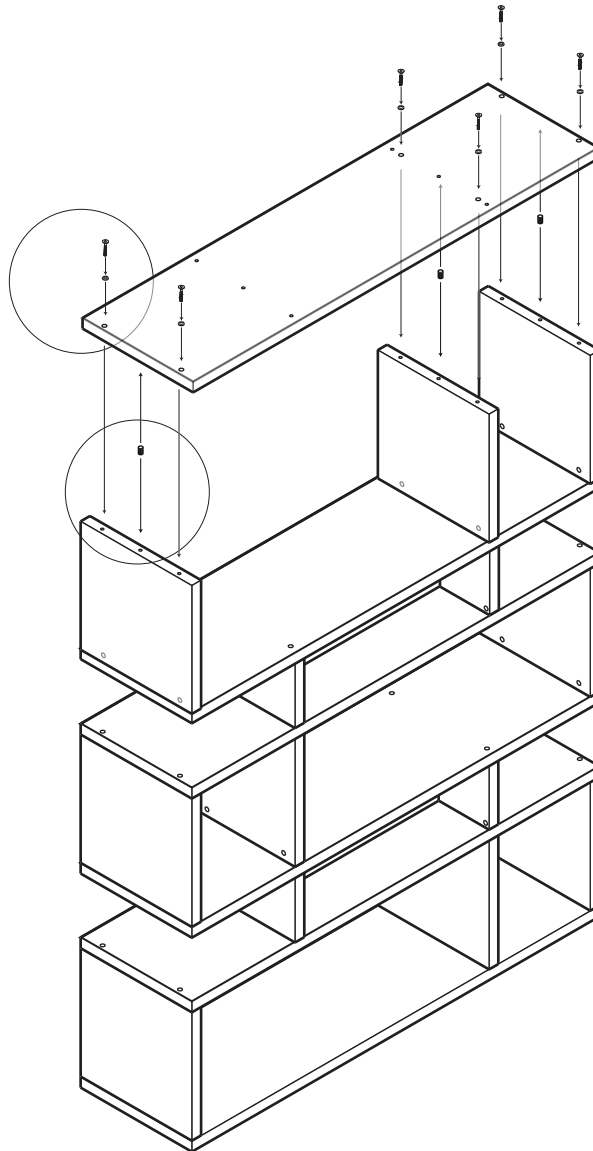


# west elm : stacked modular bookcase

## assembly instructions

31. Insert wooden dowels (F) into pre-drilled holes along the bottom edge of tall side panel as shown.

32. Insert bolts (A) with metal washers (E) through pre-drilled holes in bottom panel and into pre-drilled holes along the bottom edge of the tall side panels as shown.

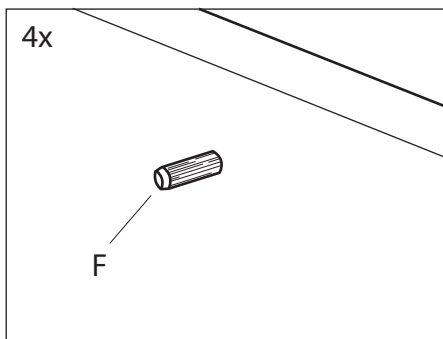
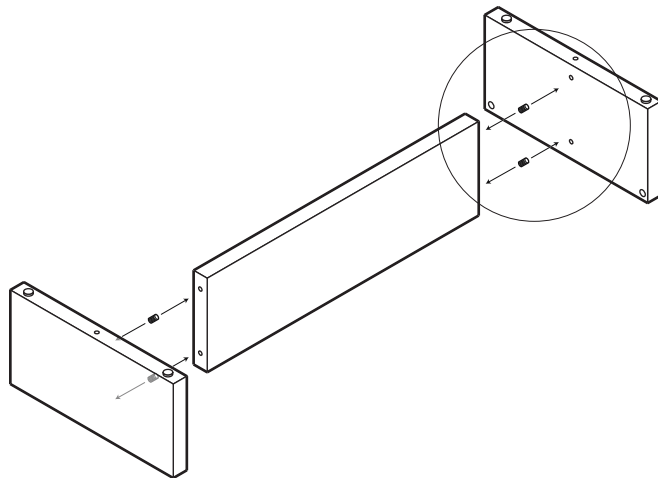




# west elm : stacked modular bookcase

## assembly instructions

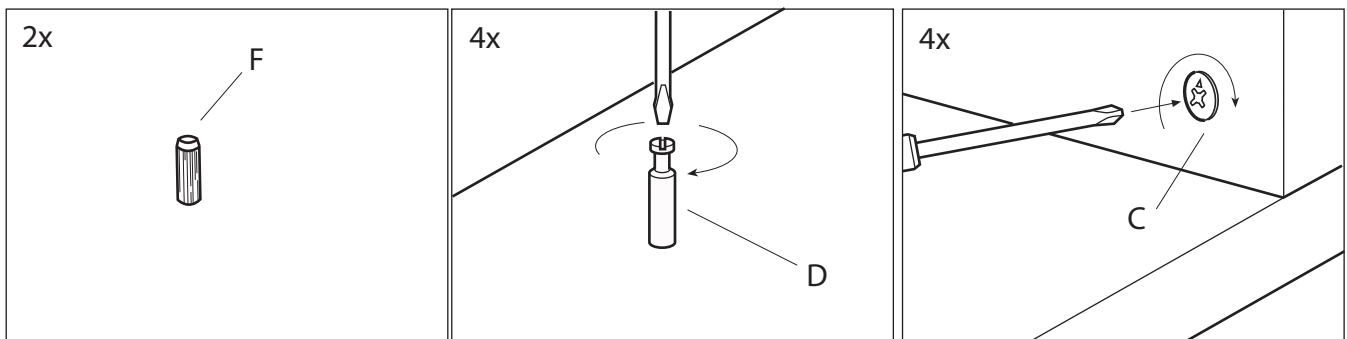
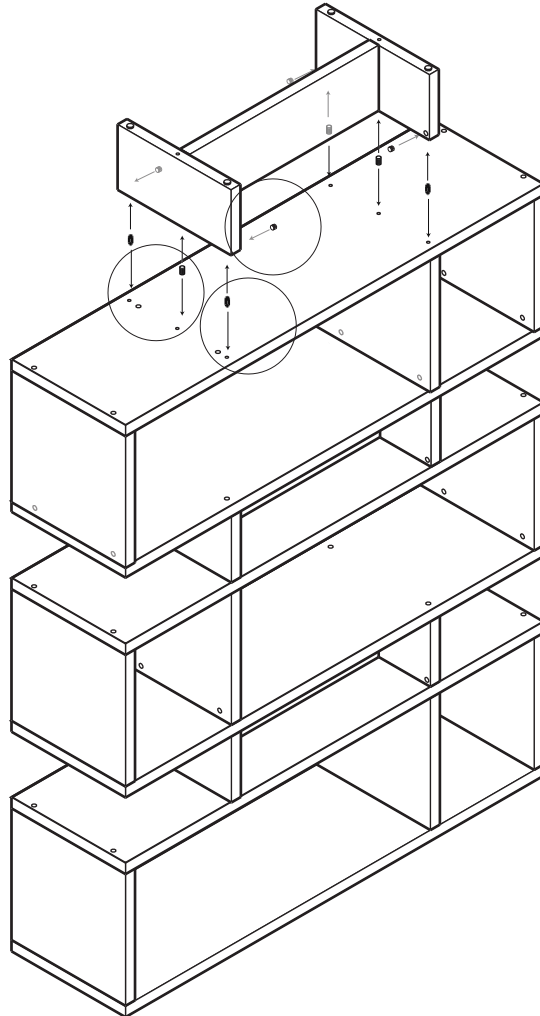
33. Insert wooden dowels (F) into pre-drilled holes along the edge of the cross panel as shown. Align dowels in cross panel with holes in the face of the foot panel and insert.



# west elm : stacked modular bookcase

## assembly instructions

34. Insert wooden dowels (F) into pre-drilled holes in the bottom-side of the bottom panel as shown.
35. Insert cams (D) into pre-drilled holes in the bottom-side of the bottom panel as shown. Tighten with phillips-head screw driver
36. Set short side panels into place over cams and wooden dowels as shown. Insert cam locks (C) into pre-drilled holes in the foot panels as shown. Tighten with phillips-head screw driver.



# west elm : stacked modular bookcase

## assembly instructions

**OVER BALANCE.** To prevent injury and property damage from unexpected tipping of furniture, we highly recommend installation of the two (2) sets of overbalance protection hardware included with this product.

1. Attach the two mounting brackets horizontally to the top back edge of the furniture. Insert the short screws through the holes in the bracket and tighten securely using screwdriver.
2. Determine where the furniture is to be placed and mark location on the wall for the other two mounting bracket screw holes. It should be placed approximately 2" below the bracket mounted to the furniture.
3. Attach the two mounting brackets vertically to the wall by inserting the long screws provided through the holes in the bracket and tightening securely using screwdriver.
4. Place the furniture so the brackets on the back edge are in line with the brackets on the wall.
5. Lace an end of the nylon restraint strap down through each bracket. Bring both ends together and slide the thin end of the strap through the receiving end of the strap until snug.
6. Check to make sure the strap is securely laced and locked to the brackets.
7. Repeat steps 5 and 6 for the second bracket set.

