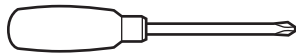
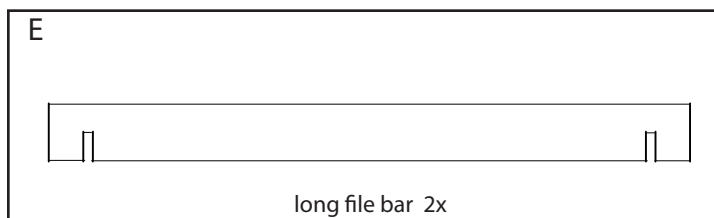
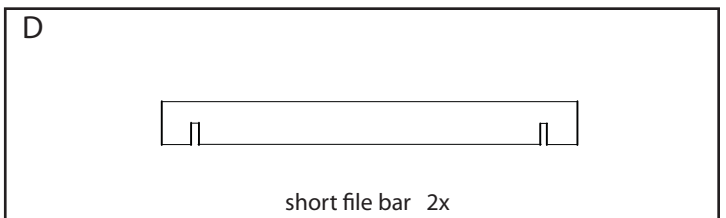
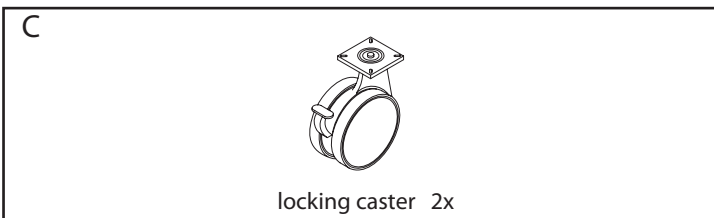
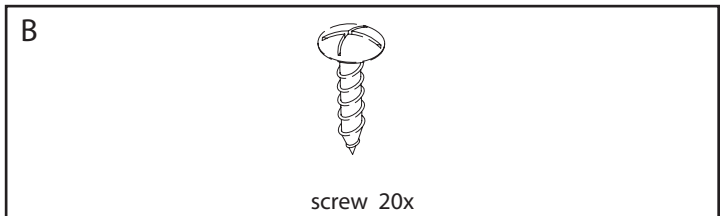
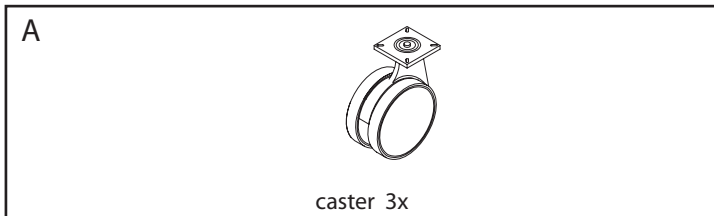


! Tools required:

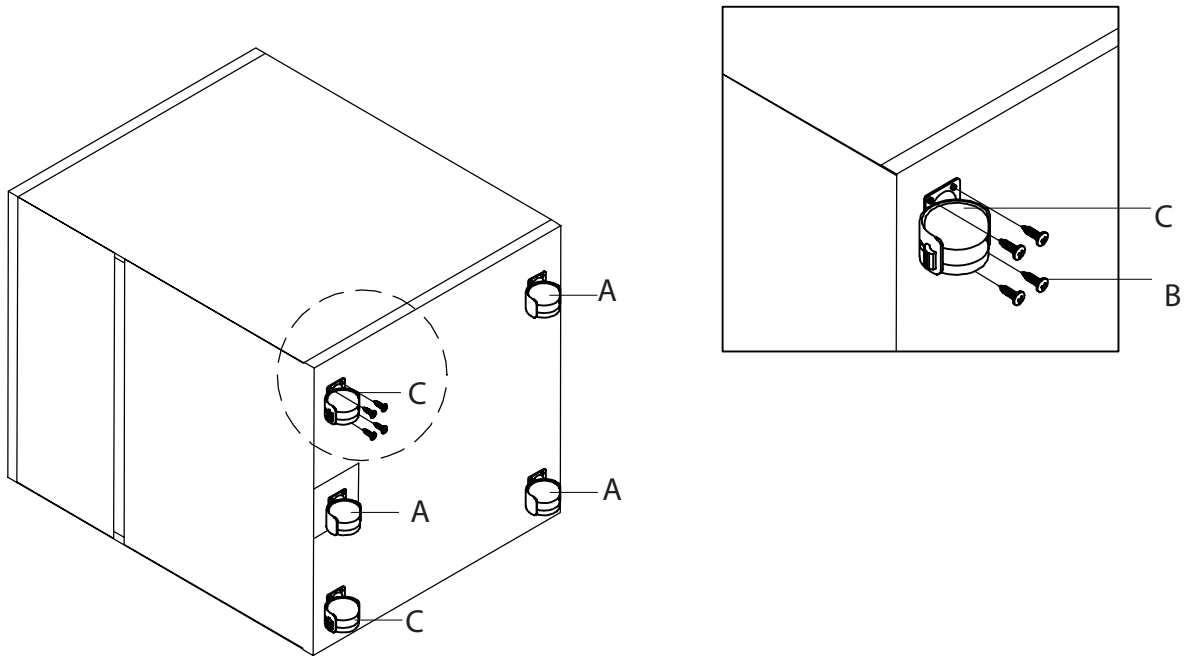


! Do not throw away packaging materials until assembly is complete.

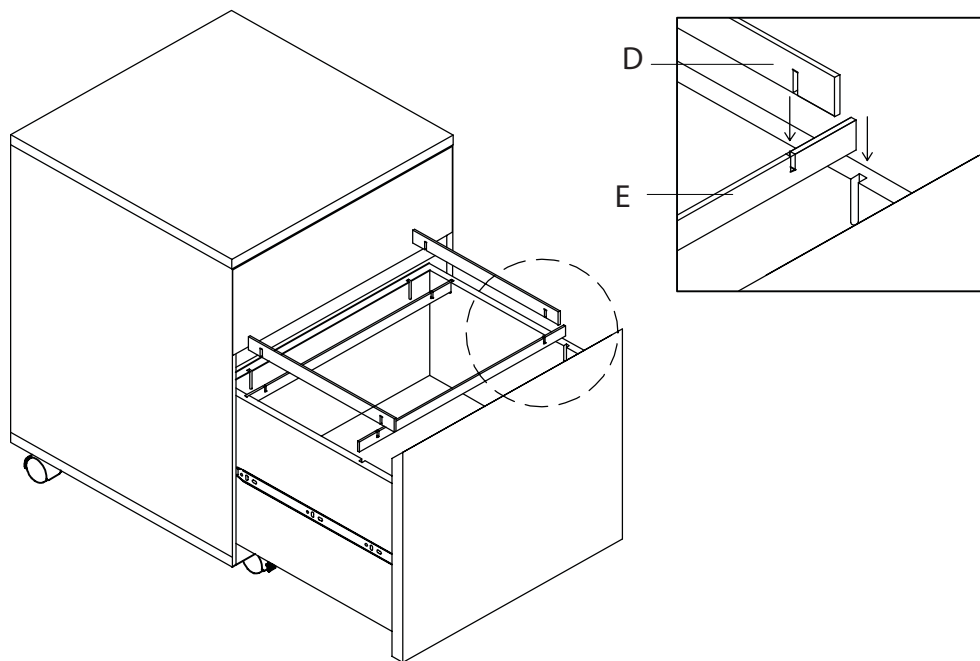
! Assemble this item on a soft surface, such as cardboard or carpet, to protect finish.



1. Fasten casters to the base of the cabinet in position as shown. Locate the two locking casters (C) at the front corners. Locate the three non-locking casters (A) at the back corners and front center. Fasten using screws (B) and tighten with a phillips screwdriver.



2. Slide long file bar (E) into notch in drawer side with notches in bar facing upward. Next slide short file bar (D) into notches in long file bar as the drawing shows.



CARE INSTRUCTIONS

Hardware may loosen over time. Periodically check that all connections are tight.

Wipe with a soft, dry cloth. To protect finish, avoid the use of chemicals and household cleaners.