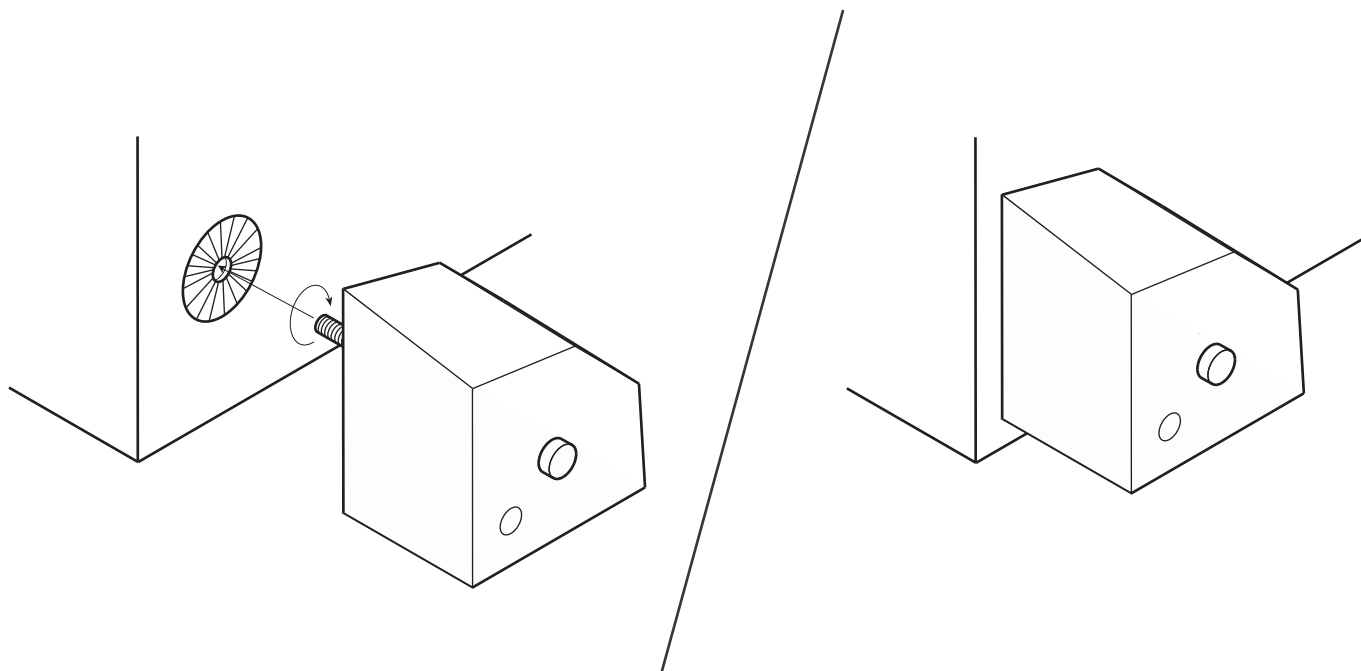


west elm : tillary modular seating

assembly instructions

1. Set the upholstered seat so that the pre-drilled holes on the bottom of seat are accessible as shown.
2. Insert leg with bolt through hole as shown. Tighten by hand. When fully tightened, the pre-drilled hole at the corner of the leg bottom will align with the corner of the sofa, as shown.



! Do not throw away packaging materials until assembly is complete.

! Assemble this item on a soft, clean surface, such as cardboard or carpet, to protect the finish.

CARE INSTRUCTIONS.

Upholstered seat: Spot clean only. Vacuum or brush with a soft brush regularly, at least once a month. For spills, immediately dab with a towel dampened with club soda or distilled water. To clean, use a commercial dry foam upholstery cleaner. Follow manufacturer's directions. Test for color fastness first on the fabric on the bottom of the seat.

Legs: Wipe with a soft, dry cloth. To protect the finish, avoid the use of all chemicals and household cleaners.