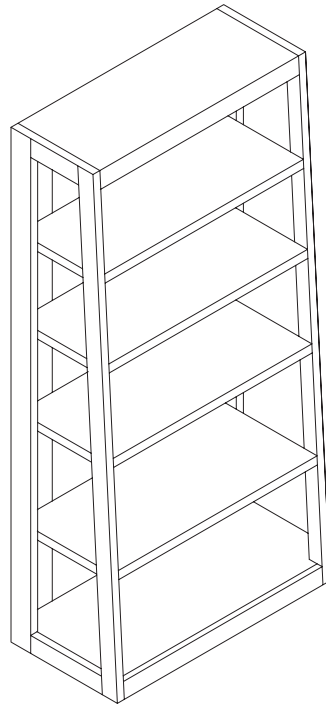


west elm

a-frame bookcase

assembly instructions

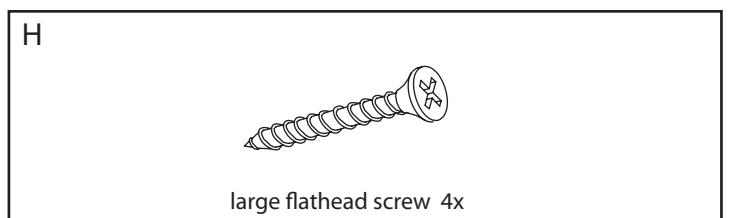
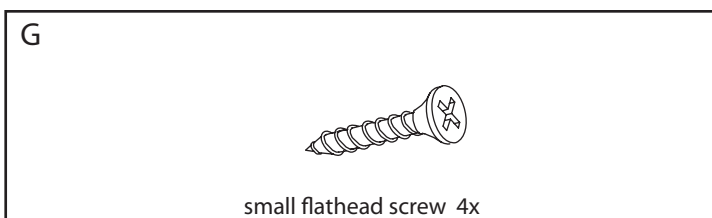
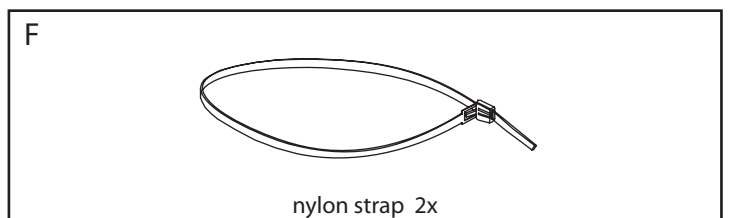
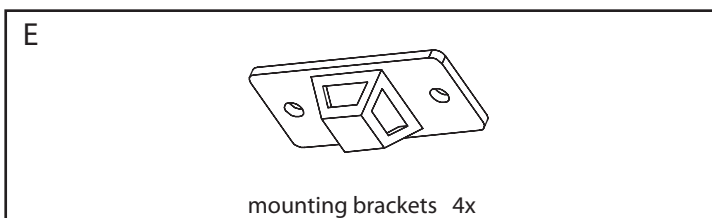
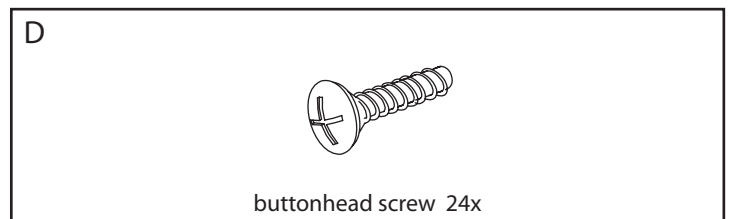
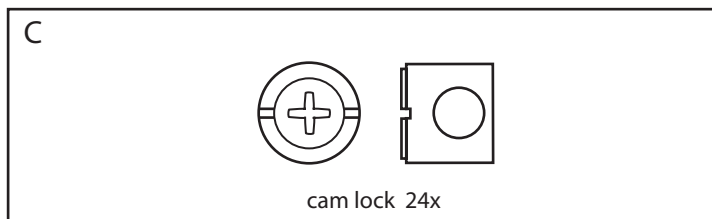
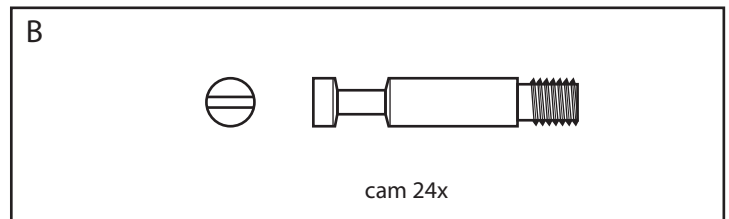
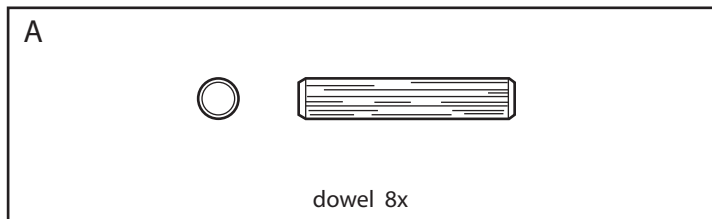


! Tools required: 

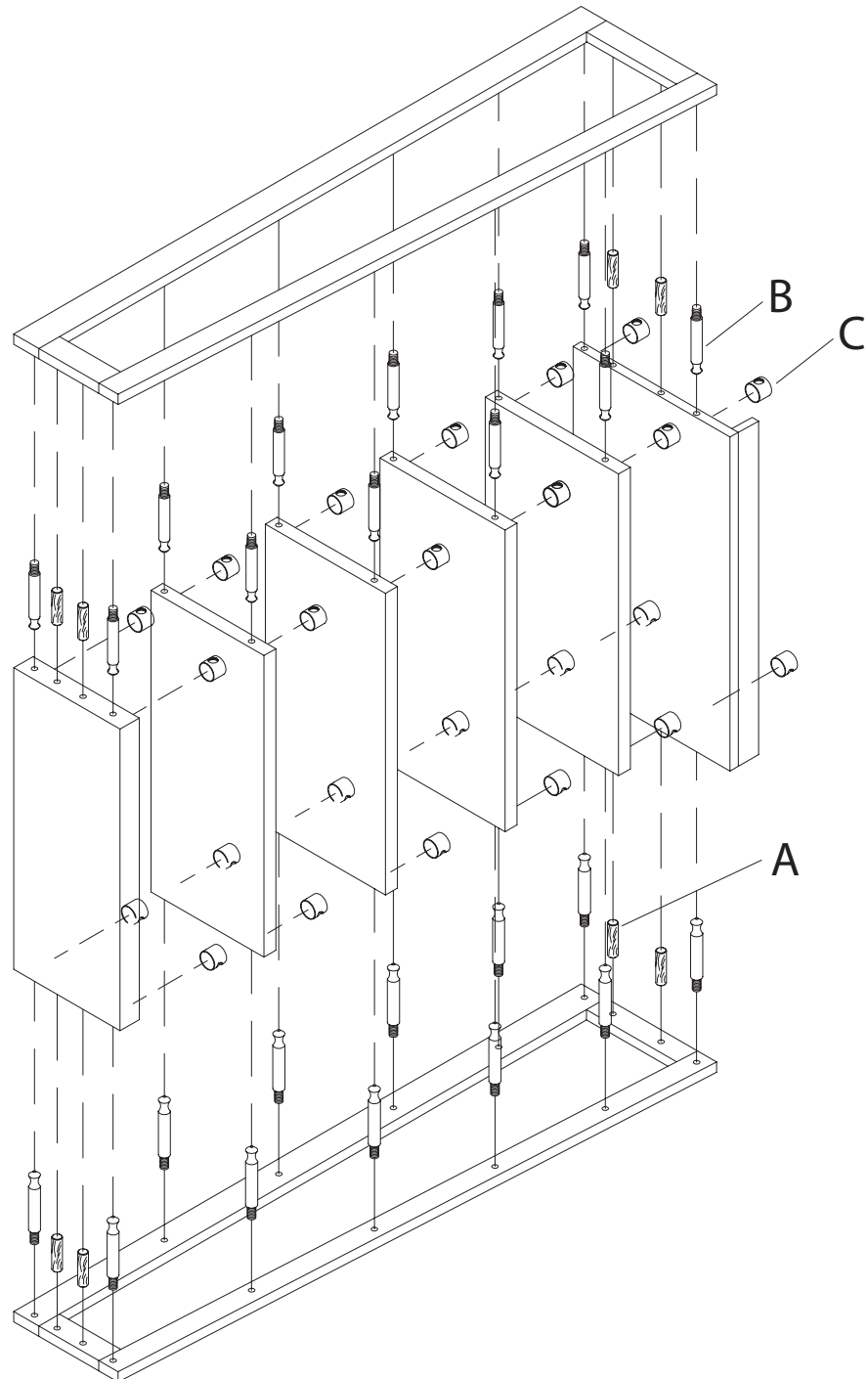
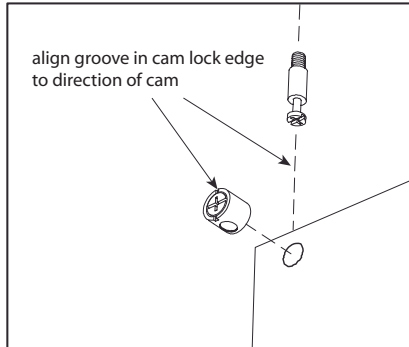
! Do not throw away packaging materials until assembly is complete.

! Assemble this item on a soft surface, such as cardboard or carpet, to protect finish.

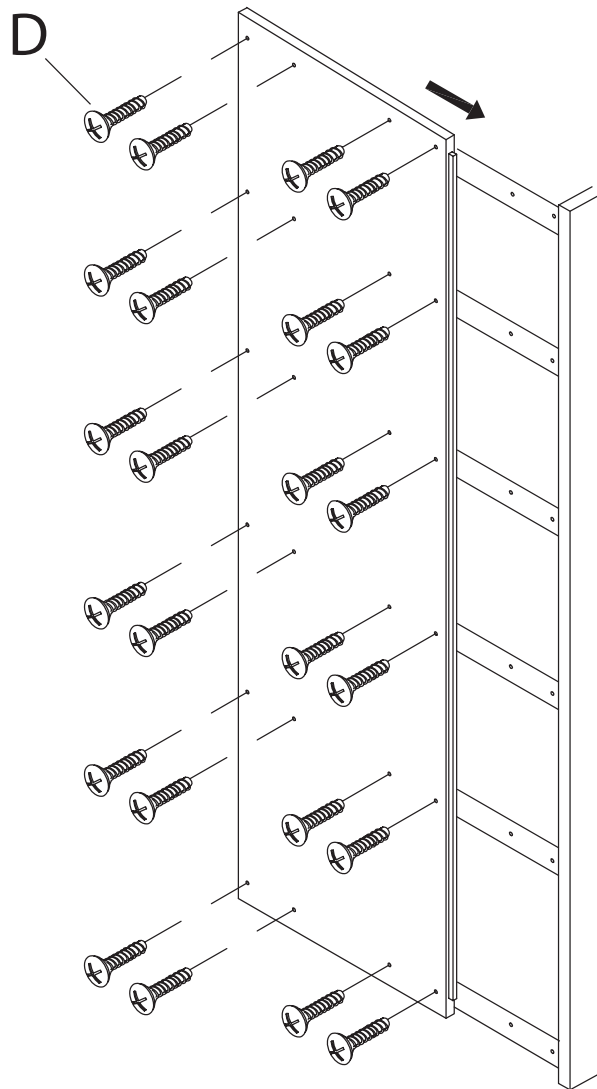
! Proper assembly of this item requires 2 people.



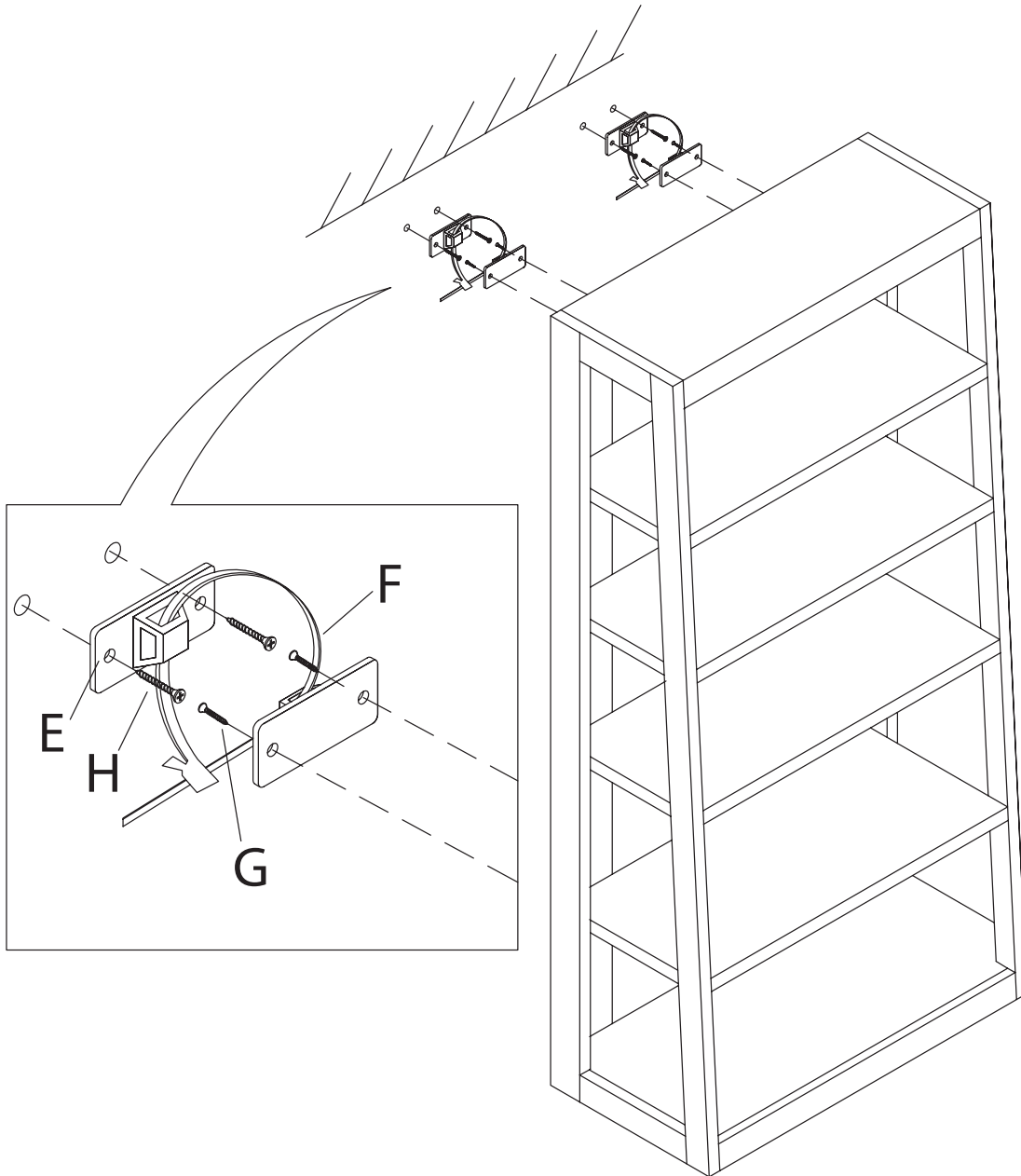
1. Fasten sides to shelves using dowels (A), cams (B) and cam locks (C) as shown. Tighten cam locks with a phillips screwdriver.



2. Insert back panels into grooves in back of sides and fasten into pre-drilled holes in back of shelves using buttonhead screws (D). Tighten with a phillips screwdriver.



3. Secure bookcase to wall with anti-tip hardware as shown. Fasten two mounting brackets (E) to the bookcase back edge using small flathead screws (G). Fasten two mounting brackets in corresponding locations on the wall using large flathead screws (H). Move bookcase into place and secure with nylon strap (F).
Move bookcase into place and secure with nylon strap (F).



CARE INSTRUCTIONS

Hardware may loosen over time. Periodically check that all connections are tight.

Wipe with a soft, dry cloth. To protect finish, avoid the use of chemicals and household cleaners.