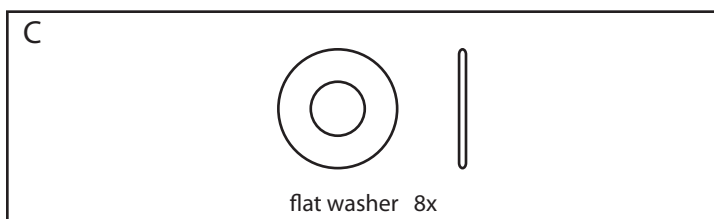
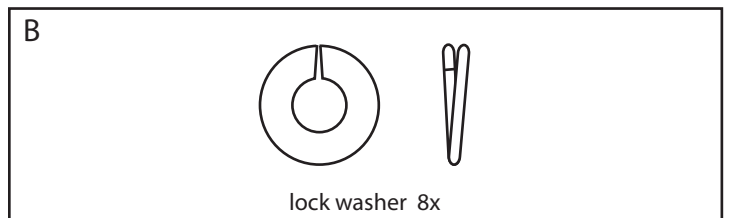
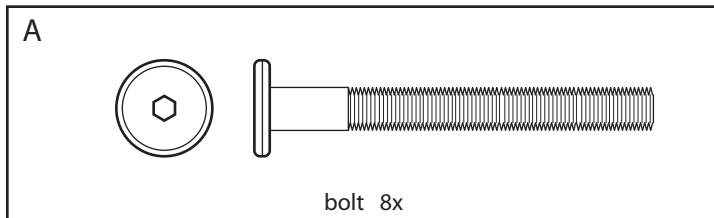
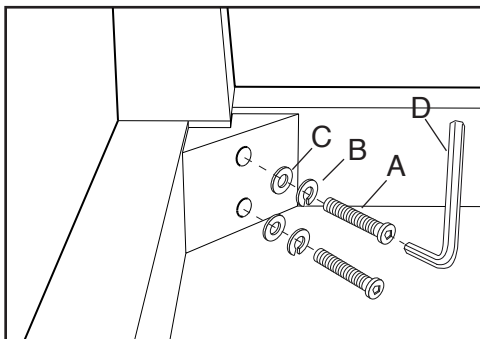
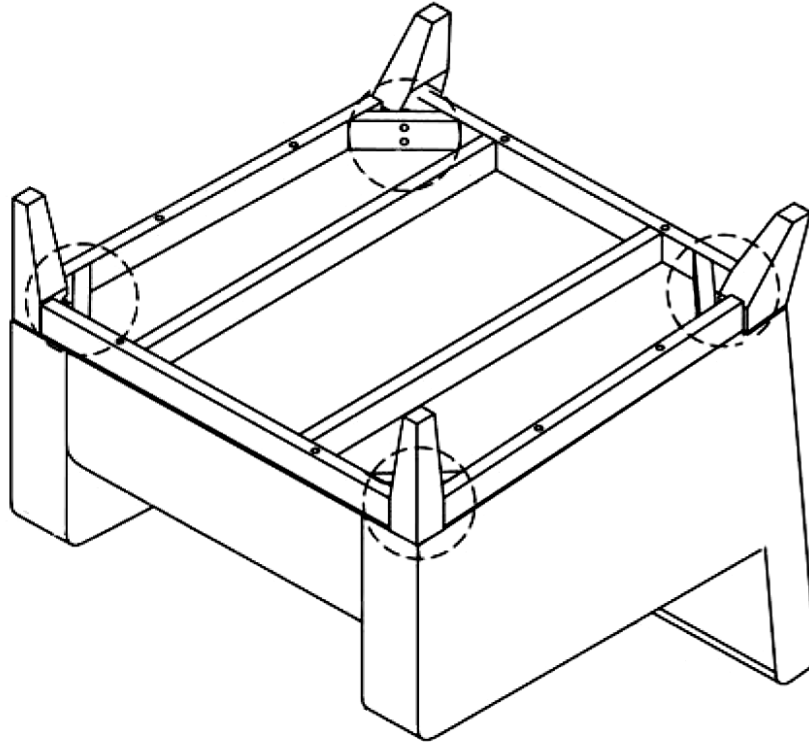


! Do not throw away packaging materials until assembly is complete.

! Assemble this item on a soft surface, such as cardboard or carpet, to protect finish.



1. Turn chair over and fasten legs to chair through holes using 4 bolts (A), lock washers (B), and flat washers (C) in order as shown. Tighten bolts with allen key (D).



CARE INSTRUCTIONS

Upholstered Seat: Spot clean only. Vacuum or brush with a soft brush regularly, at least once a month. For spills, immediately dab with a towel dampened with club soda or distilled water.

Legs: Hardware may loosen over time. Periodically check that all connections are tight. Wipe with a soft, dry cloth. To protect finish, avoid the use of chemicals and household cleaners.