

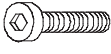
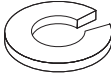
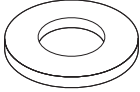
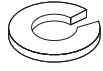
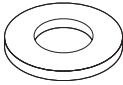
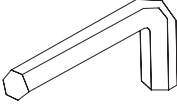
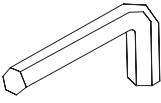


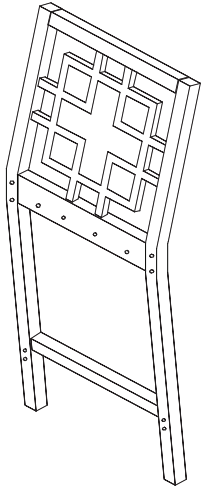
! Tools required: 

! Do not throw away packaging materials until assembly is complete.

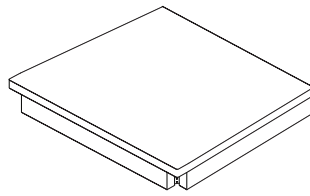
! Assemble this item on a soft surface, such as cardboard or carpet, to protect finish.

! Proper assembly of this item requires 2 people.

<p>A</p>  <p>long bolt 4x</p>	<p>B</p>  <p>medium bolt 4x</p>
<p>C</p>  <p>short bolt 8x</p>	<p>D</p>  <p>large lock washer 8x</p>
<p>E</p>  <p>large flat washer 8x</p>	<p>F</p>  <p>small lock washer 8x</p>
<p>G</p>  <p>small flat washer 8x</p>	<p>H</p>  <p>large allen key 1x</p>
<p>I</p>  <p>small allen key 1x</p>	



(1)
chair back



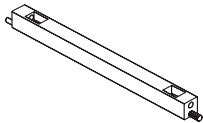
(2)
seat frame



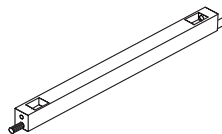
(3)
left front leg



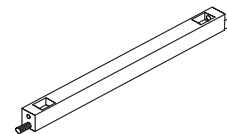
(4)
right front leg



(5)
front stretcher



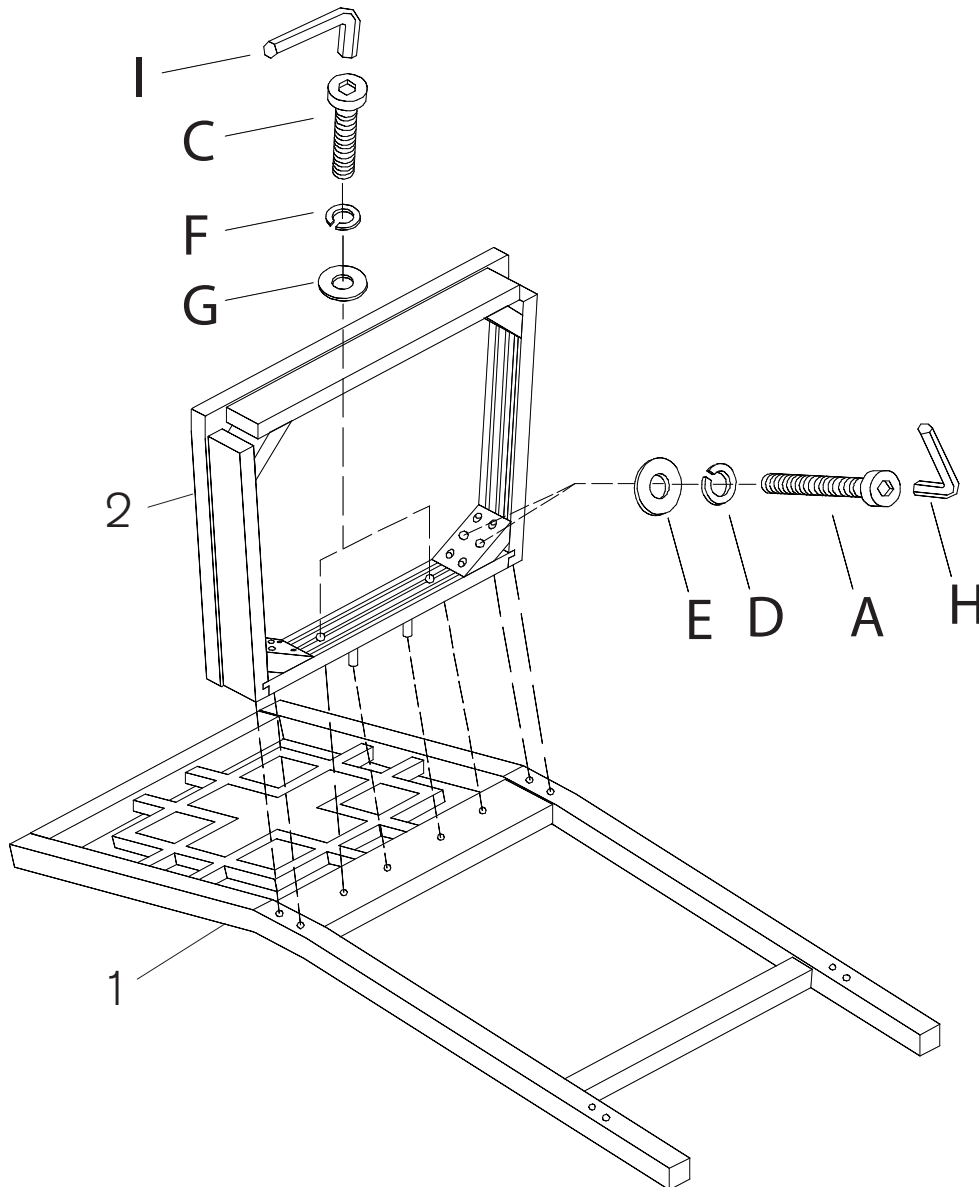
(6)
left side stretcher



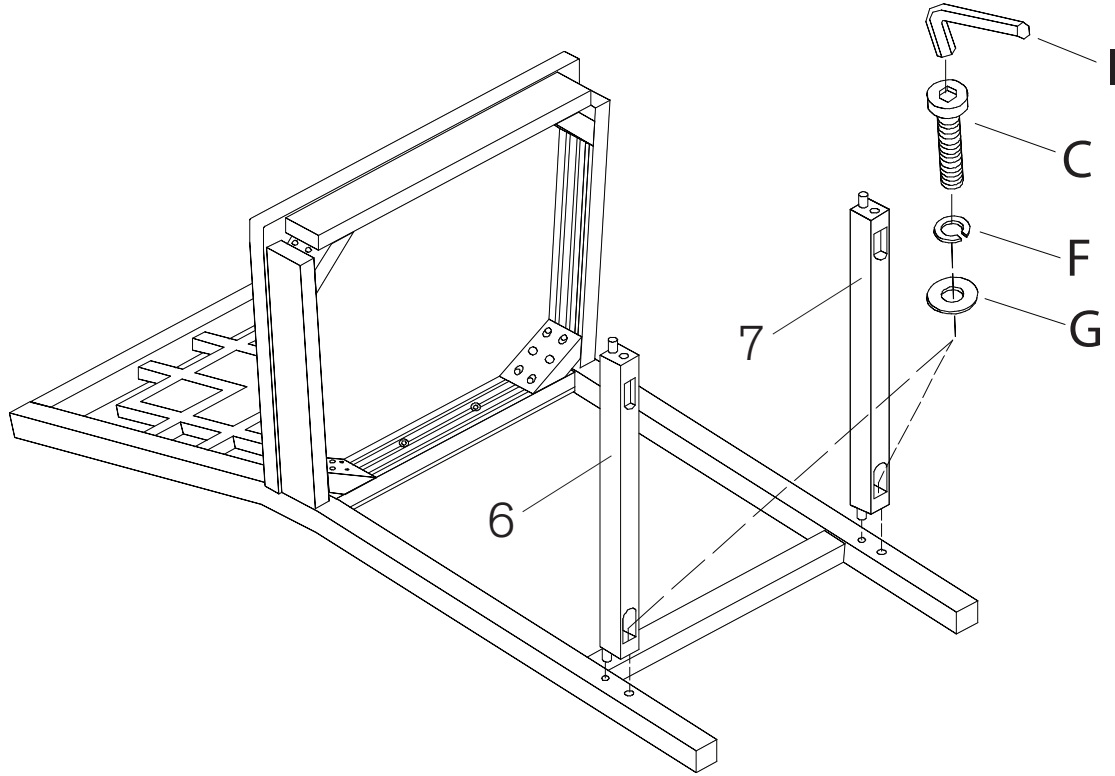
(7)
right side stretcher

1. Fasten seat frame (2) to chair back (1) using short bolts (C), small lock washers (F), and small flat washers (G) as shown. Tighten bolts using small allen key (I).

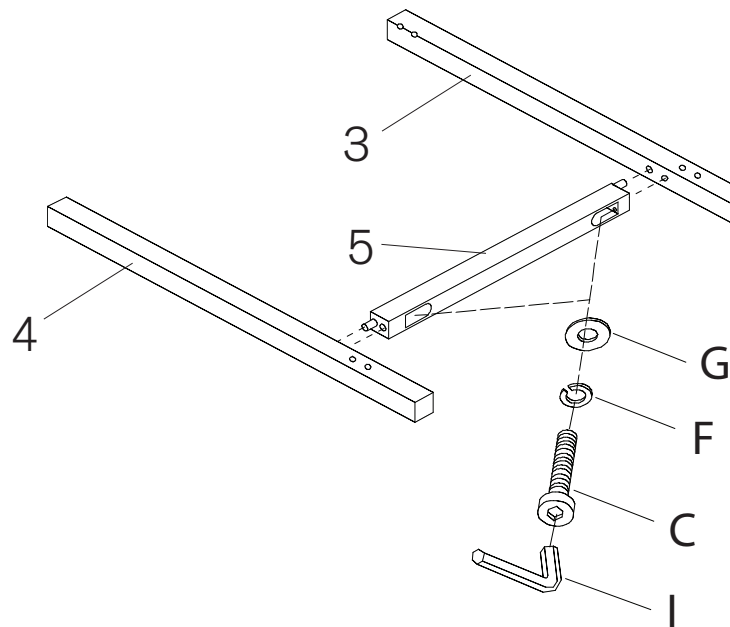
2. Fasten seat frame corner blocks to chair back (1) using long bolts (A), large lock washers (D), and large flat washers (E) as shown. Tighten bolts using large allen key (H).



3. Fasten left (6) and right (7) side stretchers to back legs using short bolts (C), small lock washers (F), and small flat washers (G) as shown. Tighten bolts using small allen key (I).

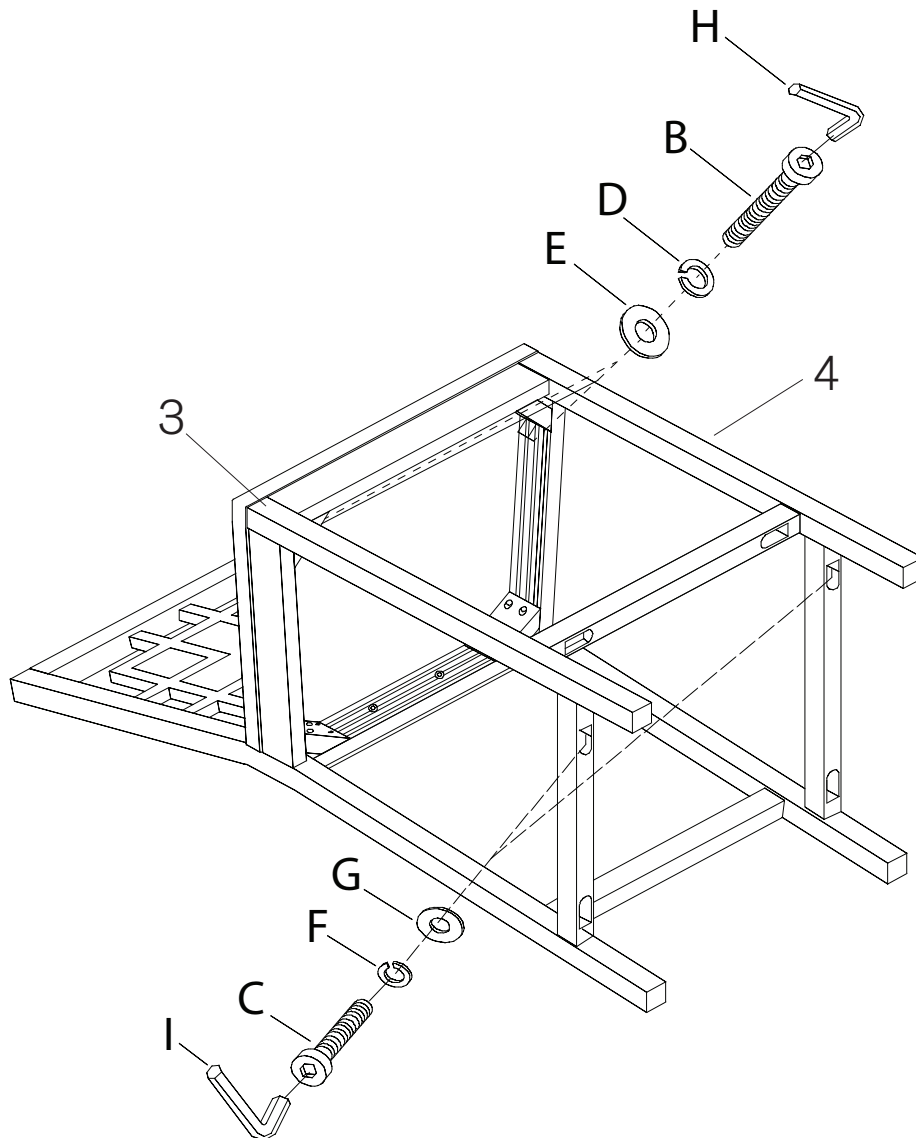


4. Fasten front stretcher (5) to left (3) and right (4) front legs using short bolts (C), small lock washers (F), and small flat washers (G) as shown. Tighten bolts using small allen key (I).



5. Fasten side stretchers to front legs using short bolts (C), small lock washers (F), and small flat washers (G) as shown. Tighten bolts using small allen key (I).

6. Fasten front legs to seat frame using medium bolts (B), large lock washers (D), and large flat washers (E) as shown. Tighten bolts using large allen key (H).



CARE INSTRUCTION

Hardware may loosen over time. Periodically check that all connections are tight.

Wipe with a soft, dry cloth. To protect finish, avoid the use of chemicals and household cleaners.