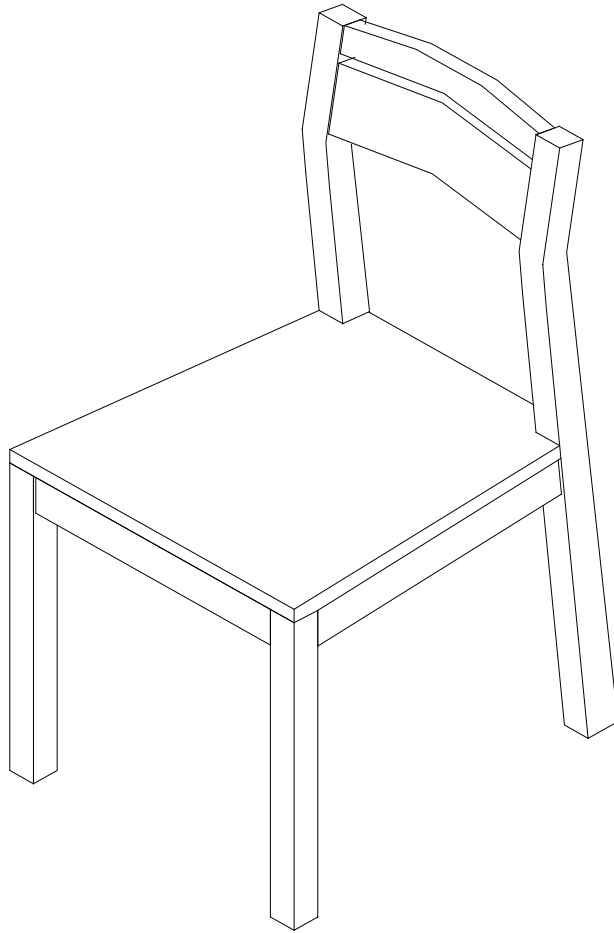


west elm

tilt chair

assembly instructions



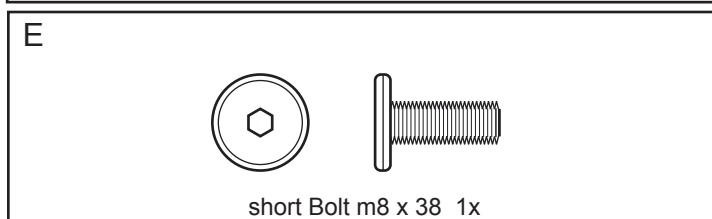
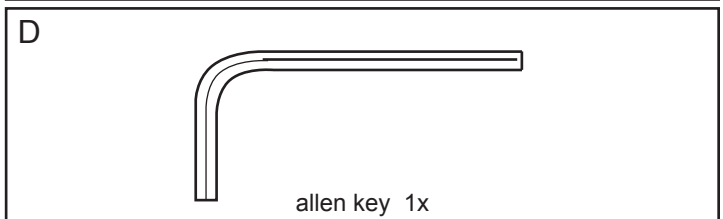
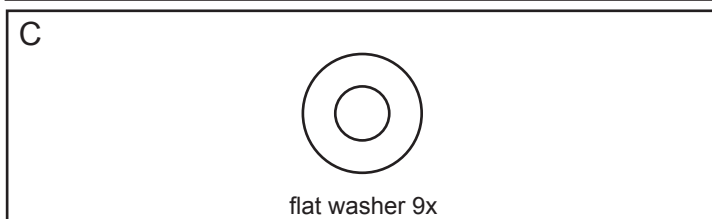
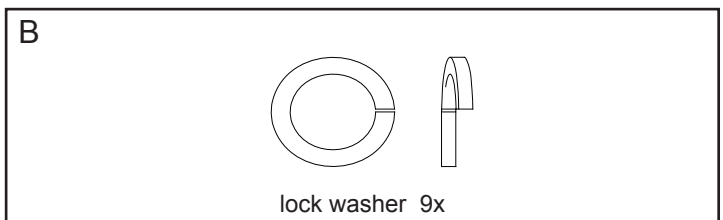
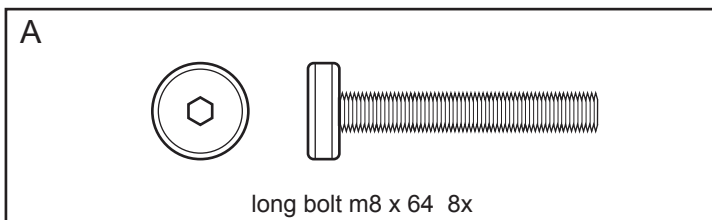
! Tools required:

! Do not throw away packaging materials until assembly is complete.

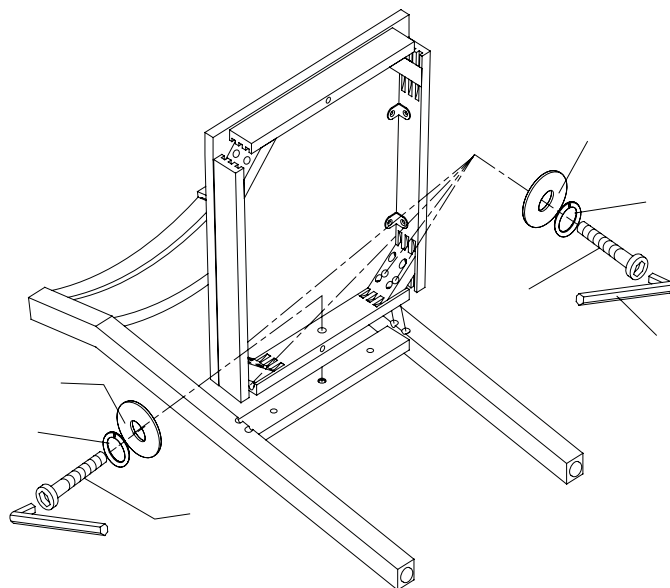
! Assemble this item on a soft surface, such as cardboard or carpet, to protect finish.

! Proper assembly of this item requires 2 people.

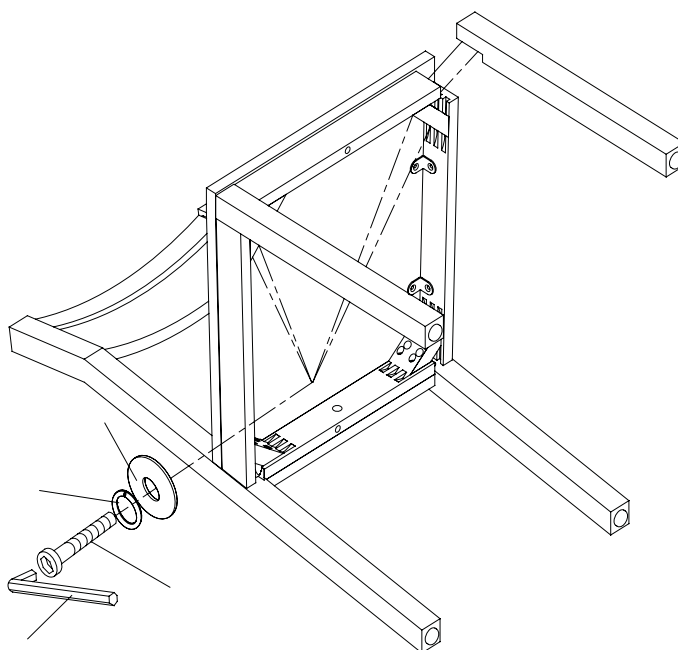
Hardware



1. Place the chair back on a soft, clean carpeted surface. Align seat assembly with back. Insert lock washer (B), flat washer (C), and long bolt (A) thru holes into legs. Insert short bolt (E), lock washer (B), and flat washer (C) thru back rail into seat back. Check to see if the seat is aligned. Tighten all bolts.



2. Align seat assembly with front legs. Insert lock washer (B), flat washer (C), and long bolt (A) thru seat holes into legs. Check to see if the seat and legs are aligned. Tighten all bolts.



CARE INSTRUCTIONS

Hardware may loosen overtime. Periodically check that all connections are tight.

Wipe with a soft, dry cloth. To protect finish, avoid the use of chemicals and household cleaners