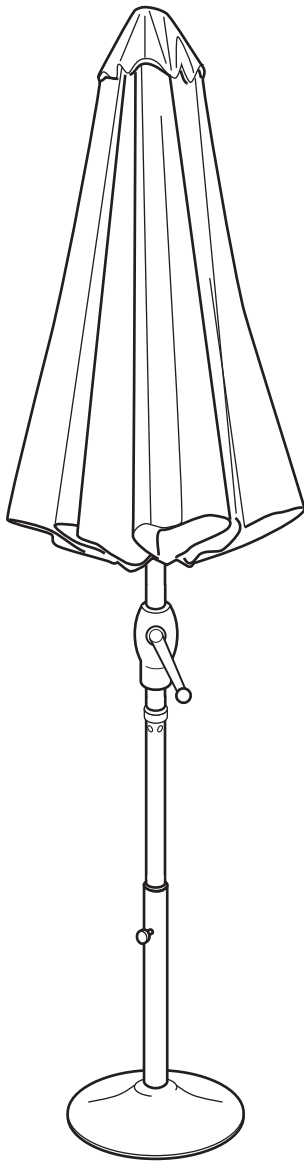
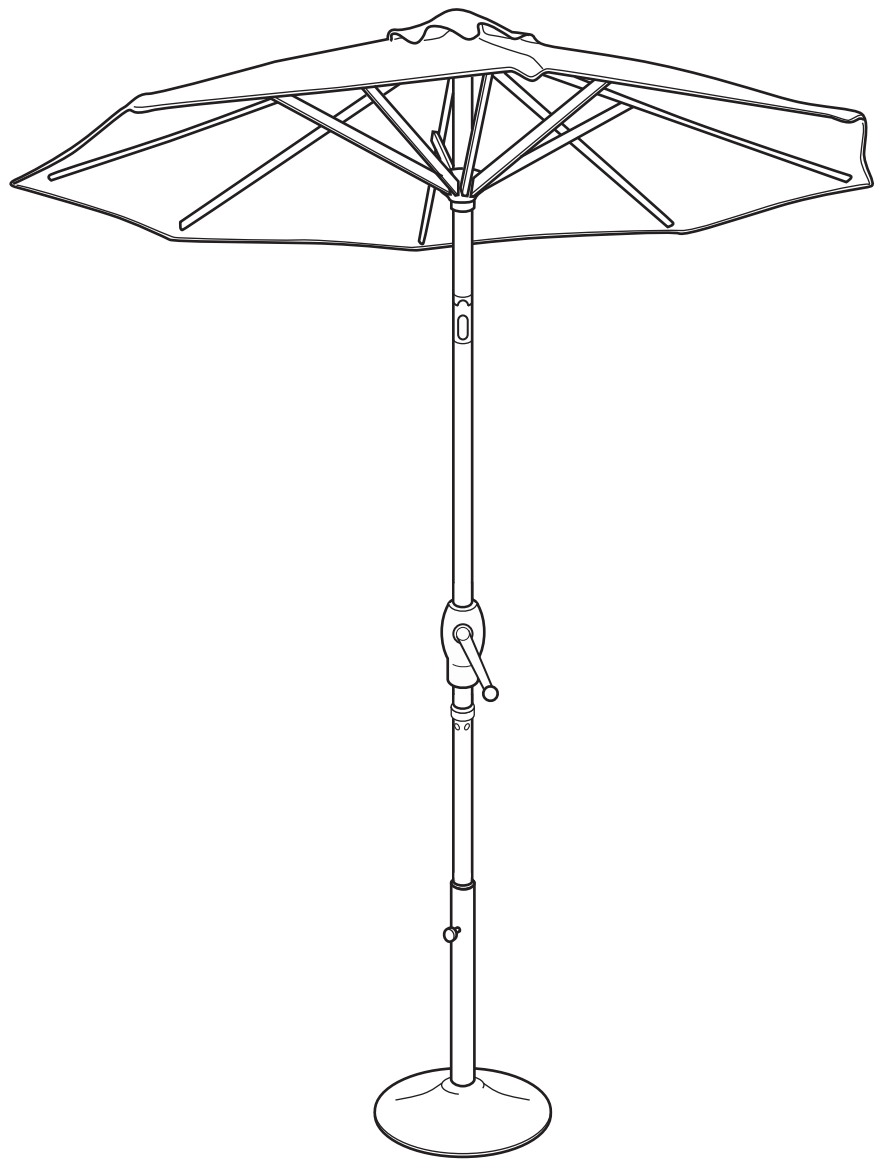


west elm : metal umbrella

assembly instructions



closed



open

* Base sold separately.

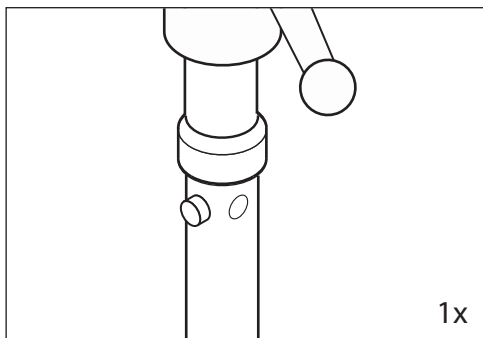
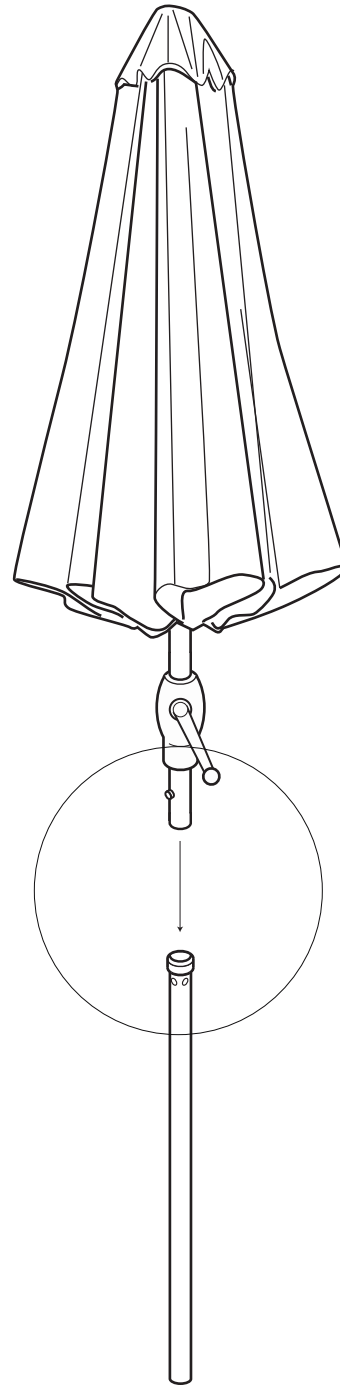
! Do not throw away packaging materials until assembly is complete.

! Assemble this item on a soft surface, such as cardboard or carpet, to protect the finish.

west elm : metal umbrella

assembly instructions

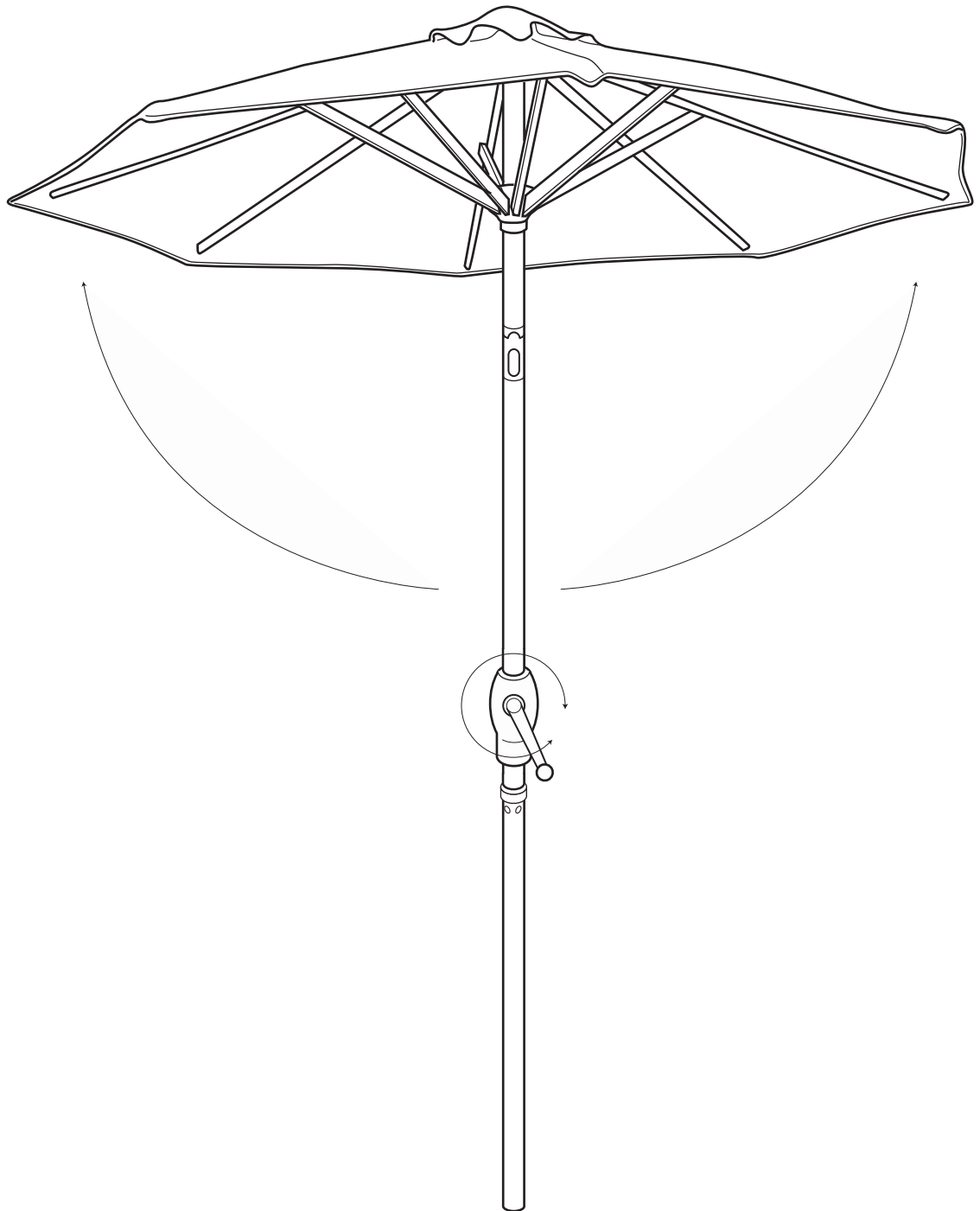
1. Depress pop latch in upper umbrella pole with thumb. Insert upper umbrella pole into lower pole. Once inserted be sure that pop latch engages one of the pre-drilled holes in the lower pole.



west elm : metal umbrella

assembly instructions

2. Turn the handle in either a clockwise or counter-clockwise direction as shown to open umbrella. To close umbrella turn handle in the opposite direction.

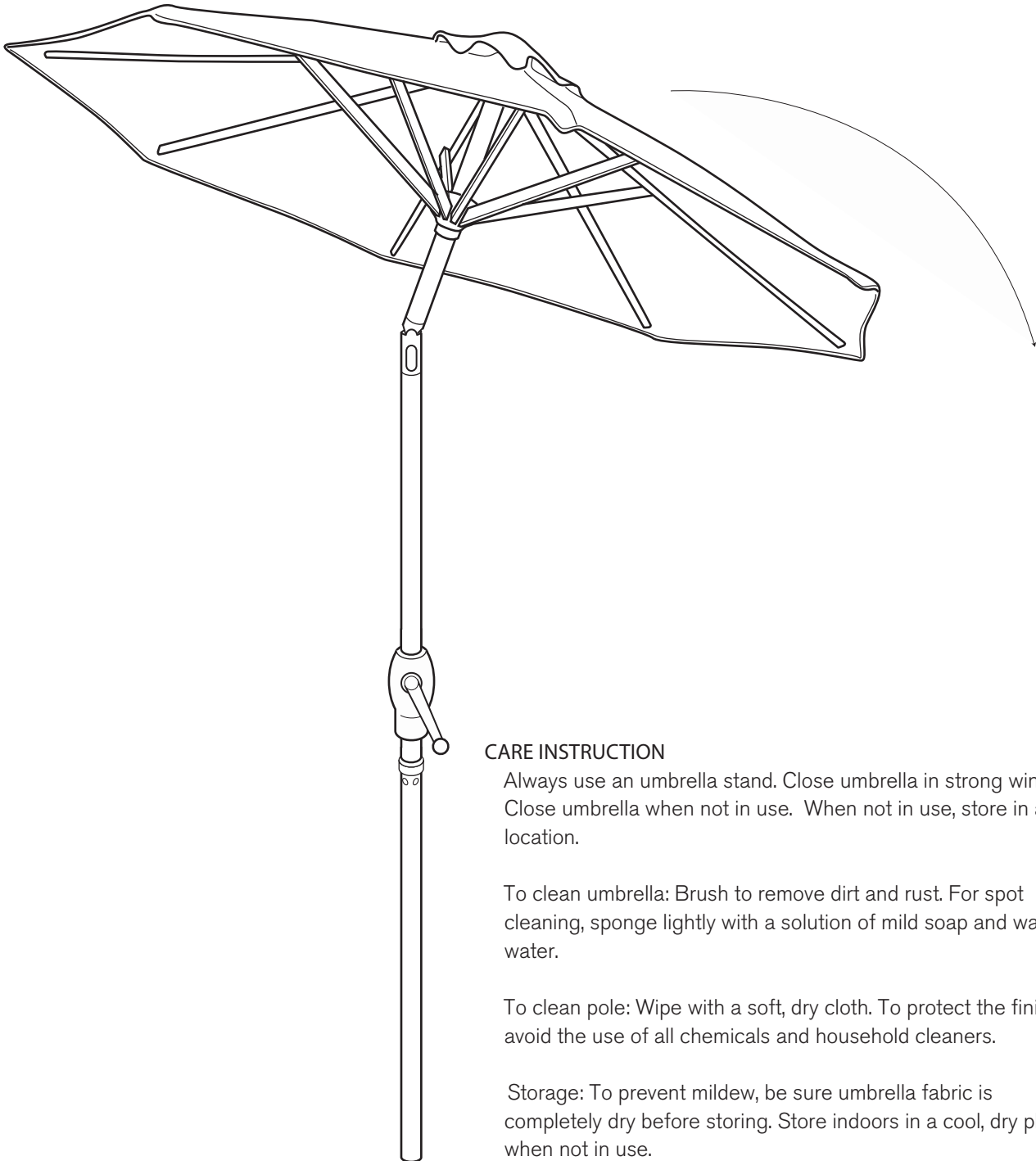


west elm : metal umbrella

assembly instructions

3. To tilt umbrella top, depress and hold tilt button and angle umbrella top to left or to the right until it locks in place.

IMPORTANT: To avoid damaging your umbrella, be sure to return the umbrella top to its regular upright position before attempting to close it.



CARE INSTRUCTION

Always use an umbrella stand. Close umbrella in strong winds. Close umbrella when not in use. When not in use, store in a dry location.

To clean umbrella: Brush to remove dirt and rust. For spot cleaning, sponge lightly with a solution of mild soap and warm water.

To clean pole: Wipe with a soft, dry cloth. To protect the finish, avoid the use of all chemicals and household cleaners.

Storage: To prevent mildew, be sure umbrella fabric is completely dry before storing. Store indoors in a cool, dry place when not in use.