

Important Safety Instructions:

- For safety purposes, this lamp is equipped with a polarized plug (one blade is wider than the other). If the plug does not fit securely into your outlet, do not force it-contact a professional electrician. Use the plug with an extension cord only if it can be fully inserted into the cord's socket. Never alter the plug in any way.
- This instruction is provided for your safety. It is important that they are read carefully and completely before assembling fixture.
- This fixture has been rated for up to **(1) 100-watt TYPE A standard bulb** (not included). To avoid the risk of fire, do not exceed the recommended wattage.

Warning:

- To reduce the risk of fire, electrical shock or personal injury, always turn off and unplug lamp and allow it to cool prior to replacing light bulb.**
- Do not touch bulb when fixture is turned on. Do not look directly at lit bulb.**
- Keep flammable materials away from lit bulb.**

Pre-assembly:

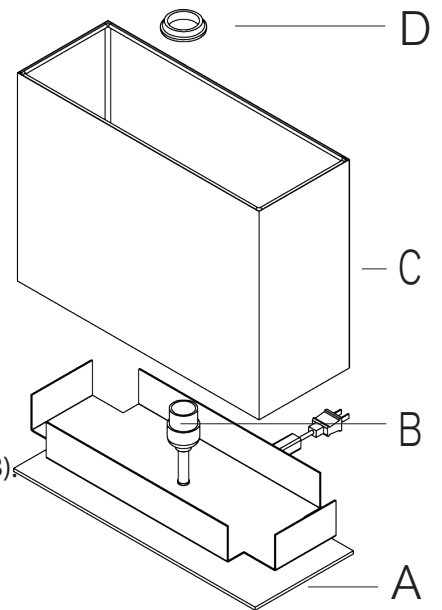
- Remove all parts and hardware from box along with any plastic protective packaging.
- Do not discard any contents until after assembly is complete to avoid accidentally discarding small parts or hardware.

Parts enclosed:

- (1) Lamp Base (A)**
- (1) Socket (B)**
- (1) Lamp Shade (C)**
- (1) Socket Ring (D)**

Assembly Instructions:

1. Unscrew the Socket Ring (D) from the Socket (B).
2. Place Lamp Shade (C) on the lamp base (A). Making sure the Shade fits into the Lamp Base (A).
4. Screw the Socket Ring (D) onto the Socket (B).
5. Insert a bulb – Max 100 Watt (Type A) Standard (not included) into the socket (B).
6. Plug into the proper electrical outlet and test fixture.

**Care instructions:**

- Clean with soft, dry cloth.
- Always avoid the use of harsh chemicals or abrasive cleaners as they may cause damage to the lamp.