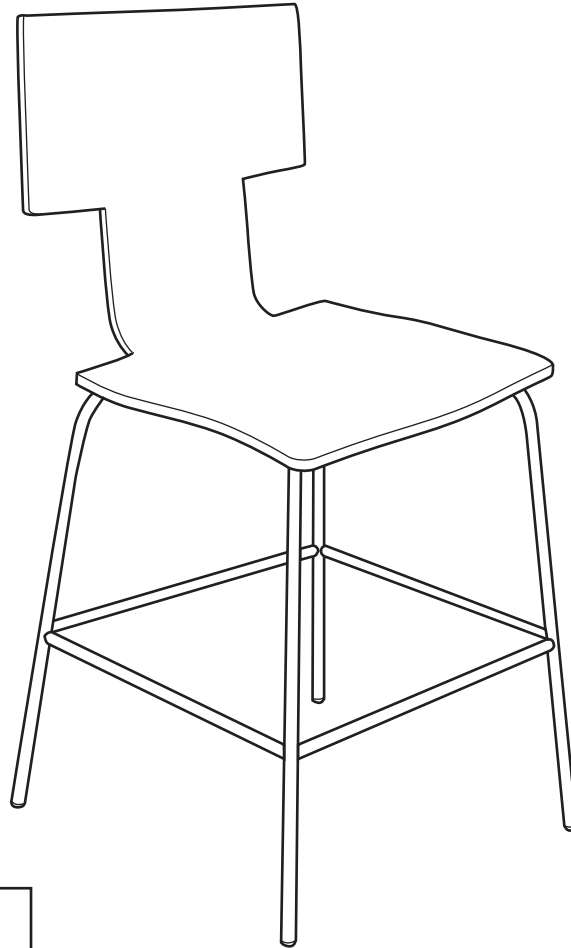
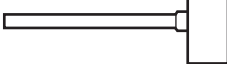


west elm: t counterstool

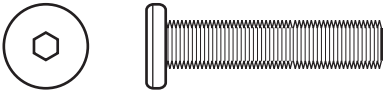
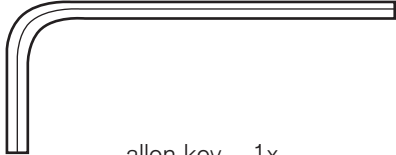

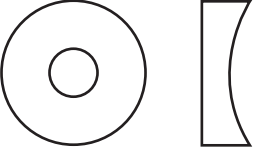
assembly instructions



! Tools required: 

! Do not throw away packaging materials until assembly is complete.

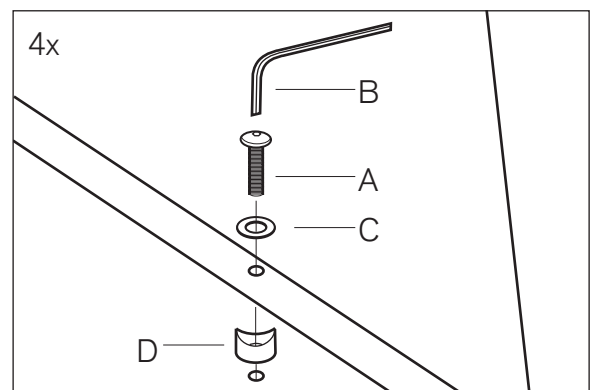
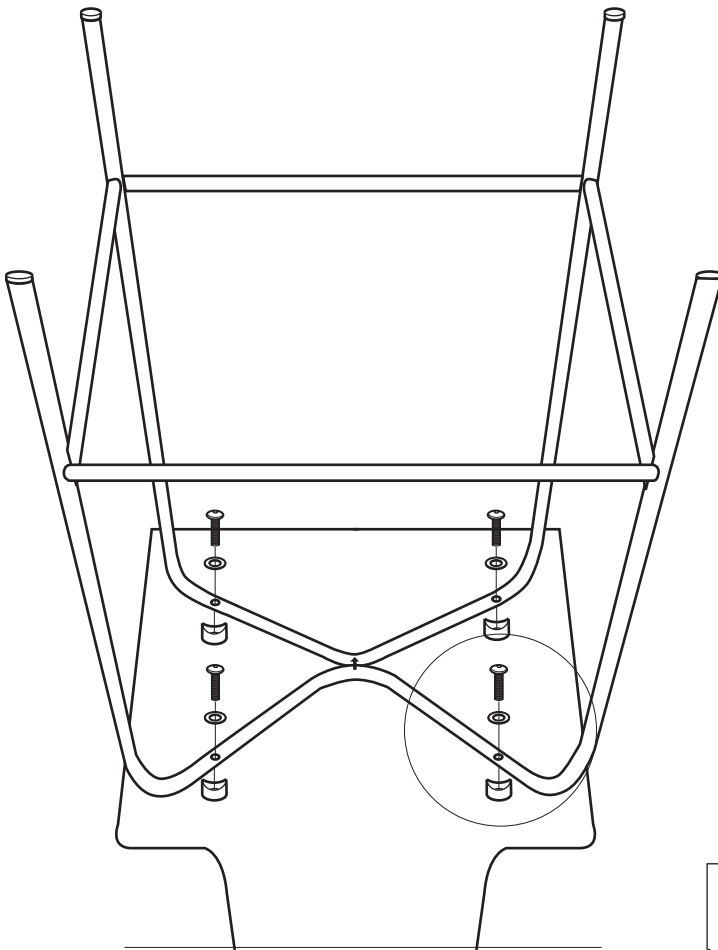
! Assemble this item on a soft surface, such as cardboard or carpet, to protect the finish.

<p>A</p>  <p>bolt: 1/4" dia x 1" 4x</p>	<p>B</p>  <p>allen key 1x</p>
<p>C</p>  <p>lock washer 4x</p>	<p>D</p>  <p>spacer 4x</p>

west elm: t counterstool

assembly instructions

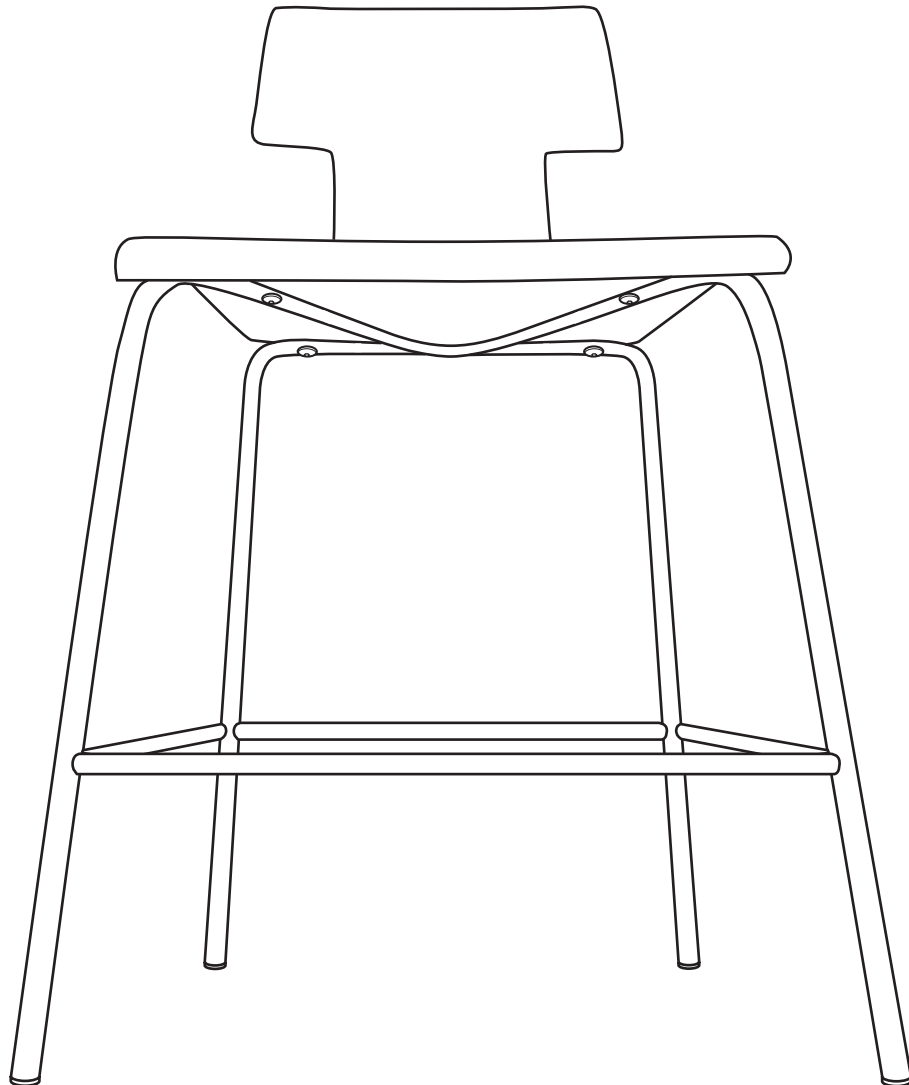
1. Match front of base (marked with arrow sticker) with front of seat (marked with arrow sticker on underside of seat).
2. Align holes in spacers (D) with holes on underside of seat. Position base so holes in base align with spacers. Attach lock washer (C) with bolt (A). Insert into holes as shown. Secure with allen key (B). Do not tighten fully.
3. Adjust seat so that it is aligned with the base. Do not over tighten or bolt heads could strip.



west elm: t counterstool

assembly instructions

4. Sit on the chair and re-tighten all bolts.



CARE INSTRUCTIONS:

Hardware may loosen over time. Periodically check that all connections are tight.

Wipe with a soft, dry cloth. To protect the finish, avoid the use of all chemicals and household cleaners.