

Important Safety Instructions:

- These instructions are provided for your safety. It is very important that they are read carefully and completely before beginning the assembly and installation of this lighting fixture.
- The lighting fixture is meant for indoor use. It must be connected only to 3-wire, single-phase electrical supply systems (provided with Ground wire or equivalent protection system).
- This fixture has been rated for up to one (1) **60-watt maximum TYPE A standard incandescent light bulb** (not included) or one (1) **13-watt compact fluorescent light bulb** (not included) or one (1) **20-watt maximum SBLED light bulb** (one 9-watt SBLED light bulb included). To avoid the risk of fire, do not exceed the recommended lamp wattage.
- The lighting fixture is meant for indoor use.
- **Save these instructions.**

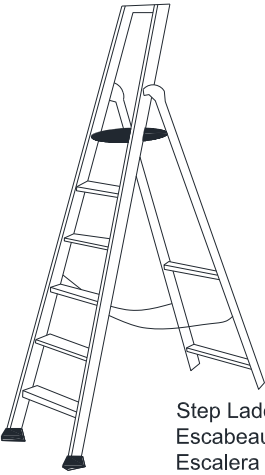
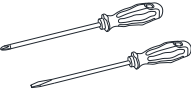
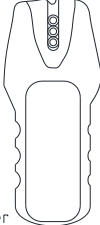
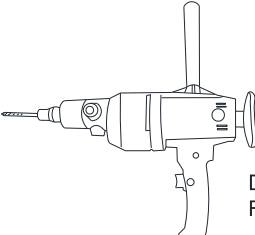
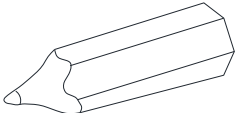
WARNING:

- **To reduce the risk of fire, electrical shock or personal injury, always turn off and unplug the light fixture and allow it to cool prior to replacing light bulb.**
- **Do not touch bulb when fixture is turned on. Do not look directly at lit bulb.**
- **Keep flammable materials away from lit bulb.**

Pre-assembly:

- Remove all parts and hardware from box along with any plastic protective packaging.
- Do not discard any contents until after assembly is complete to avoid accidentally discarding small parts or hardware.
- For your safety and convenience, assembly by two people is recommended.

Tools Required: (not included):

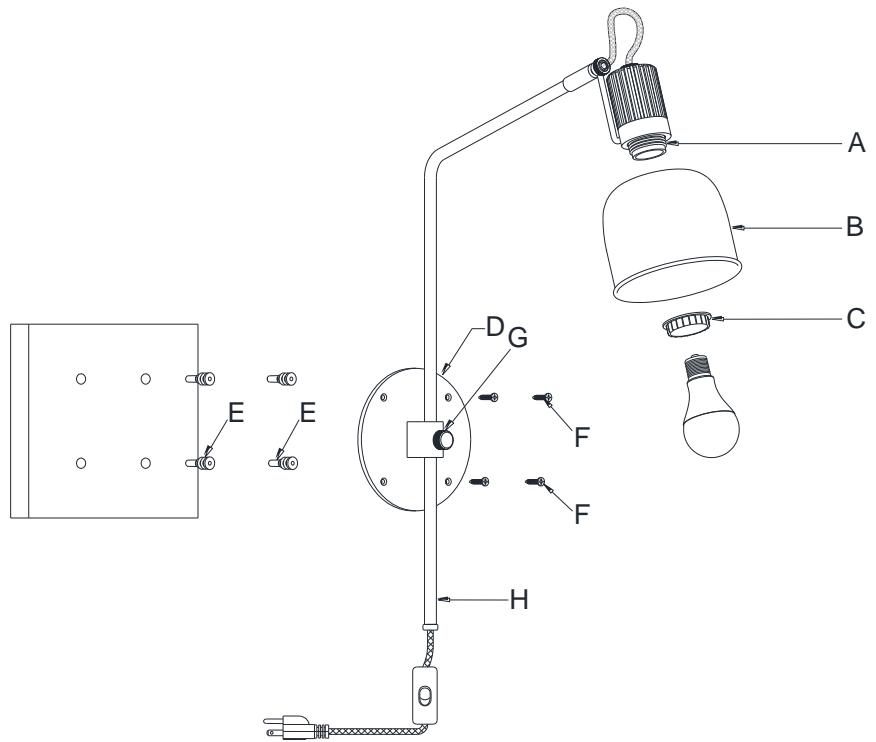
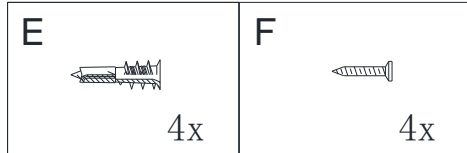
 <p>Step Ladder Escabeau Escalera</p>	 <p>Phillips head, Flat Blade Screwdrivers Tournevis à tête Phillips et à tête plate Destornilladores Cabeza Philleps y Destornilladores Cabeza Plana</p>	 <p>Stud Finder</p>
	 <p>Drill and Drill Bit Foret et Perceuse</p>	 <p>Pencil Crayon Lapiz</p>

Parts Included:

- (A) Socket (1)
- (B) Shade (1)
- (C) Socket Ring (1)
- (D) Mounting Plate (1)
- (G) Clamping Nut (1)
- (H) Tube (1)

Hardware Enclosed:

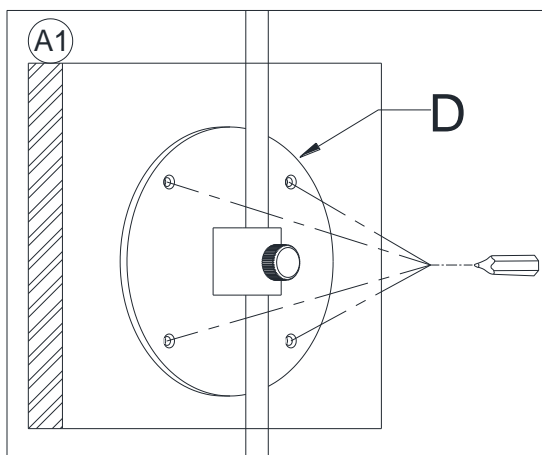
- (E) Drywall Anchors (4)
- (F) Mounting Screws (4)



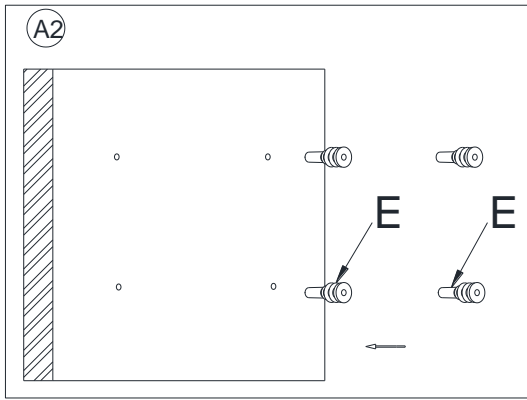
To Assemble:

1. **This mounting hardware is meant for Drywall/stud mounting only.** If walls are concrete, brick or plaster, please consult your local hardware store for assistance. For safety and ease of mounting, installation is recommended using two people.
2. Use a stud finder to locate a stud in desired wall location. If the hole of Mounting Plate (D) aligns with stud, only use provided Mounting Screws (F). If there is no stud, the Drywall Anchors (E) and Mounting Screws (F) are both required.
3. **For Drywall Mounting:** Assemble and install the Mounting Anchors (F) and Drywall Screws (E) using the steps as outlined in Section “FOR DRYWALL MOUNTING” below.
4. **For Mounting to Joist:** Assemble and install the Mounting Screws (F) using the steps as outlined in Section “FOR MOUNTING TO JOIST” below.

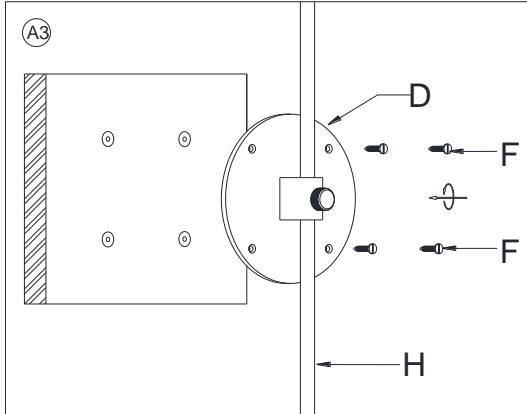
For Drywall Mounting



1. Place the Mounting Plate (D) against the wall at the desired mounting location. Using a pencil to make 4 insertion markings on the wall through the holes of the Mounting Plate (D).

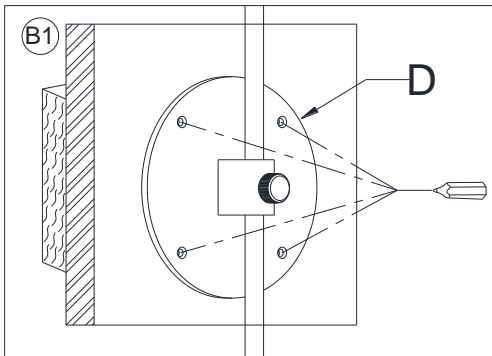


2. Use a Phillips Screwdriver to insert the **Drywall** Anchors (E) at the marked locations. Do not “push” or drive the **Drywall** Anchors (E) into the wall, it is designed to bore into the wall like a drill bit. Slowly turn the **Drywall** Anchors (E) clockwise while applying pressure until the flange just touches the wall.

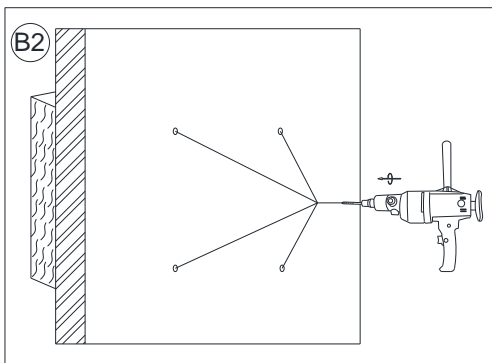


3. Attach the Mounting Plate (D) onto the wall aligning the 4 holes with the 4 pre-drilled pilot holes. Insert the 4 **Mounting** Screws (F) with a screwdriver and rotating clockwise to secure the Mounting Plate (D) in place.

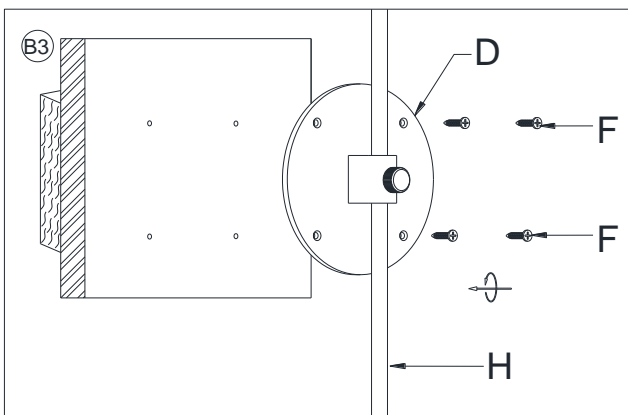
For Mounting To Joist



1. Place the Mounting Plate (D) against the wall at the desired mounting location. Using a pencil to make 4 insertion markings on the wall through the slots of the Mounting Plate (D).

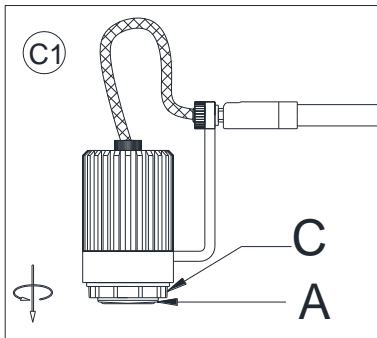


2. Pre-drill pilot holes at the marked locations. This will make installing the **Mounting** Screws (F) into the wall easier.

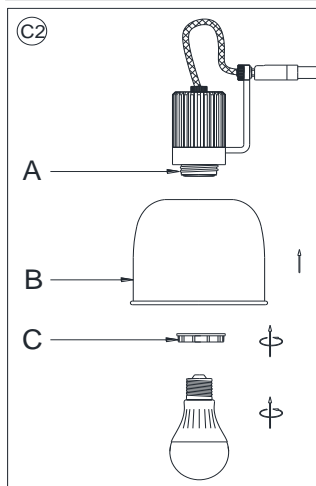


3. Place the Mounting Plate (D) onto the wall aligning the 4 holes with the four drilled pilot holes. Insert the 4 **Mounting** Screws (F) with a screwdriver and rotating clockwise to secure the Mounting Plate (D) in place.

Shade Assembly and Adjustment

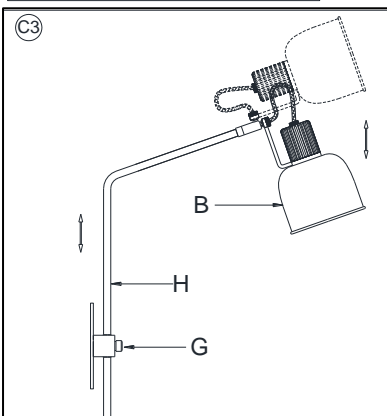


1. Unscrew the Socket Ring (C) from the Socket (A) by rotating counter-clockwise.



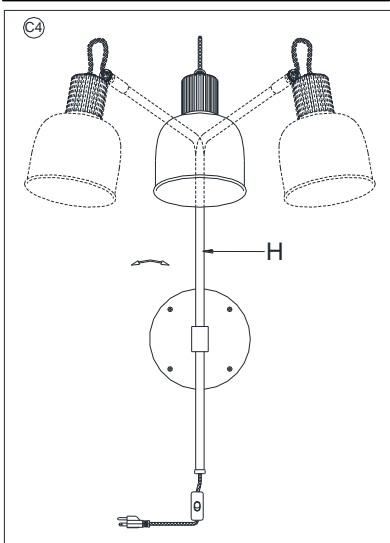
2. Attach the Shade (B) onto the Socket (A). Secure Shade (B) by rotating the Socket Ring (C) in a clockwise direction until tight.

Insert the specified light bulb into the Socket (A). DO NOT EXCEED THE SPECIFIED WATTAGE.



3. If needed, loosen the Clamping Nut (G) by turning anticlockwise. Adjust the Tube (H) upwards or downwards until a new desired height is determined. Secure the Tube (H) in place by tightening the Clamping Nut (G) in clockwise direction.

If needed, gently rotate the Shade (B) to your desired angle.



4. If needed, adjust the light fixture to your desired direction by rotating the Tube (H) to the left or right.

Care Instructions:

- Wipe clean with a soft, dry cloth or static duster.
- Always avoid the use of harsh chemicals or abrasive cleaners as they may cause damage to the fixture's finishing.

Thank you for your purchase
Stores | catalog | www.westelm.com | USA 888-922-4119