

### CAUTION:

- **BEFORE INSTALLING FIXTURE, MAKE SURE THE POWER TO THE CIRCUIT IS TURNED OFF AT THE MAIN FUSE BOX / CIRCUIT BREAKER UTILITY BOX.**

### Important Safety Instructions:

- These instructions are provided for your safety. It is very important that they are read carefully and completely before beginning the assembly and installation of this lighting fixture.
- We strongly recommend that a professional electrician install all direct wire fixtures.
- THIS PRODUCT MUST BE INSTALLED IN ACCORDANCE WITH THE APPLICABLE INSTALLATION CODES BY A PERSON FAMILIAR WITH THE CONSTRUCTION AND OPERATION OF THE PRODUCT AND THE HAZARDS INVOLVED.
- For your safety, it is strongly recommended that two people install the lighting fixture.
- This fixture has been rated for up to one (1) **E27 60-watt maximum light bulb** (not included). To avoid the risk of fire, do not exceed the recommended wattage.
- The lighting fixture is meant for indoor use, DRY LOCATIONS ONLY.
- **Save these instructions.**

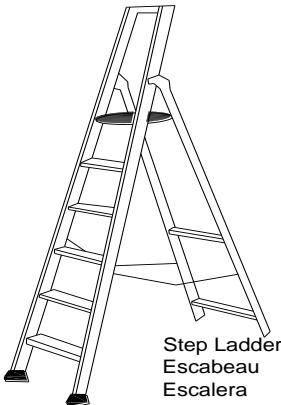

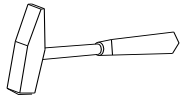
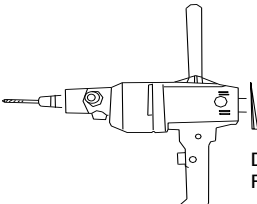

### WARNING:

- **To reduce the risk of fire, electrical shock or personal injury, always turn off light fixture and allow it to cool prior to replacing light bulb.**
- **Do not touch bulb when fixture is turned on. Do not look directly at lit bulb.**
- **Keep flammable materials away from lit bulb.**

### Pre-assembly:

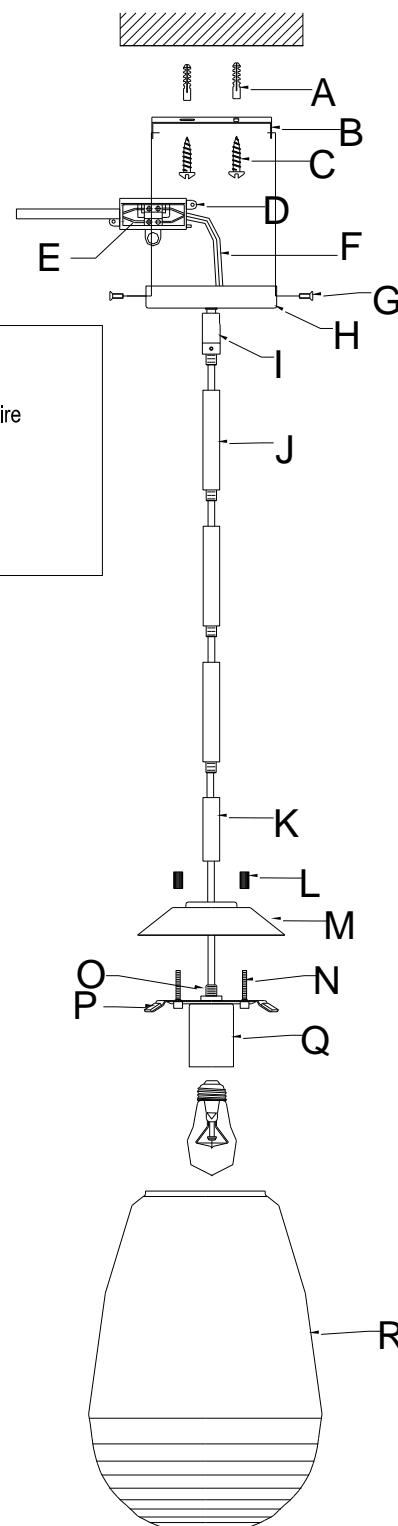
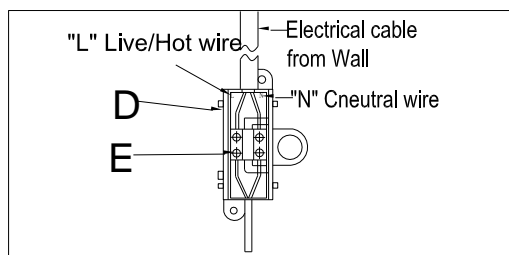
- Remove all parts and hardware from box along with any plastic protective packaging.
- Do not discard any contents until after assembly is complete to avoid accidentally discarding small parts or hardware.
- For your safety and convenience, assembly by two people is recommended.

**TOOLS REQUIRED (not included):**

 <p>Step Ladder Escabeau Escalera</p>	 <p>Phillips head, Flat Blade Screwdrivers Tournevis "ϕ" Phillips et "ϕ" plate Destornilladores Cabeza Philleps y Destornilladores Cabeza Plana</p>	 <p>Hammer Marteau Martillo</p>
	 <p>Drill and Drill Bit Foret et Perceuse</p>	 <p>Pencil Crayon Lapiz</p>

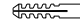


**Parts Included:**

- (B) Mounting Plate (1)
- (D) Plastic Junction Box (1)
- (E) Terminal Block (1)
- (F) Cord (1)
- (G) Canopy Screws (2)
- (H) Canopy (3)
- (I) Swivel (1)
- (J) Long tubes (3)
- (K) Short Tube (1)
- (L) Knurled Nuts (2)
- (M) Metal Cap (1)
- (N) Threaded Rods (2)
- (O) Thread Pipe (1)
- (P) Support Bar (1)
- (Q) Socket (1)
- (R) Glass Shade (1)



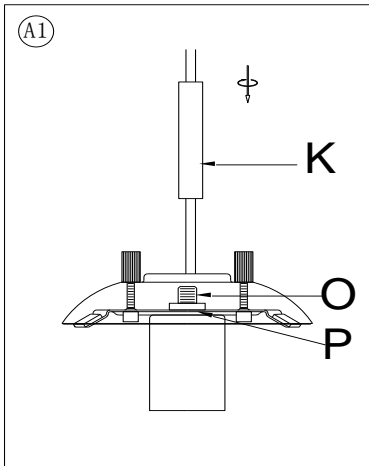
**Hardware Enclosed:**

- (A) Plastic Anchor (2)
- (C) Mounting Screws (2)

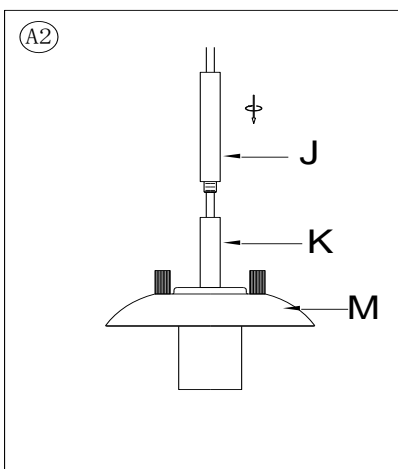
A		2x
C		2x
G		2x

## Assembly & Installation Instructions:

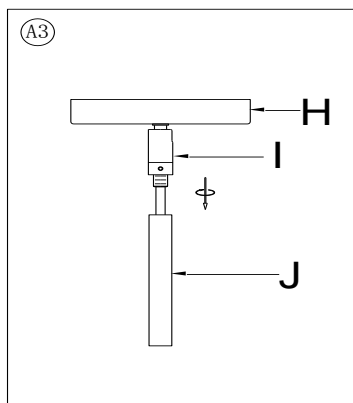
- **SHUT OFF THE MAIN ELECTRICAL SUPPLY FROM THE MAIN FUSE BOX/CIRCUIT BREAKER!**
- Carefully unpack all fixture parts and hardware and lay them on a clear workspace.



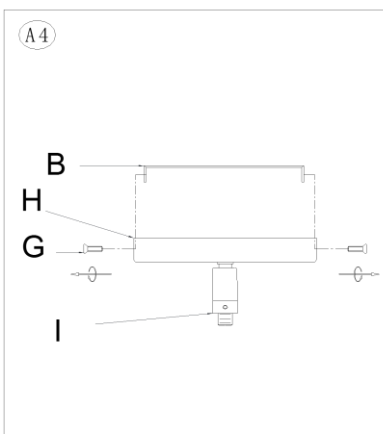
1. Attach bottom end of the Short Tube (K) onto the Threaded Pipe (O) by turning clockwise until tight.



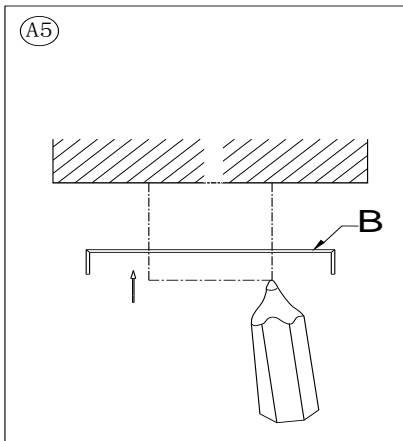
2. Attach the Long Tubes (J) onto the top of Short Tube (K) and rotate Long Tubes (J) clockwise until tight.



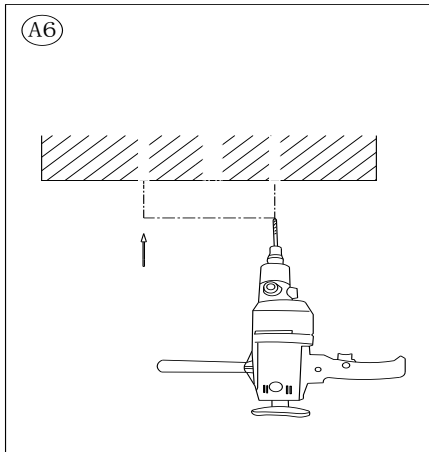
3. Attach the Swivel (I) onto the assembled Metal Tubes (J/K) by rotating the 2 parts clockwise until tight.



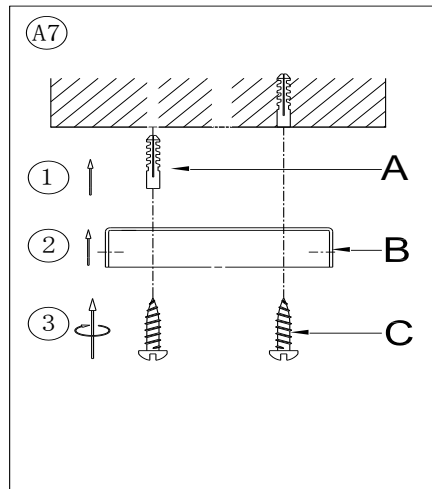
4. Separate the Mounting Plate (B) from the Canopy (H) by removing the 2 Canopy Screws (G). Do not discard the Canopy Screws (G) as these will be used later.



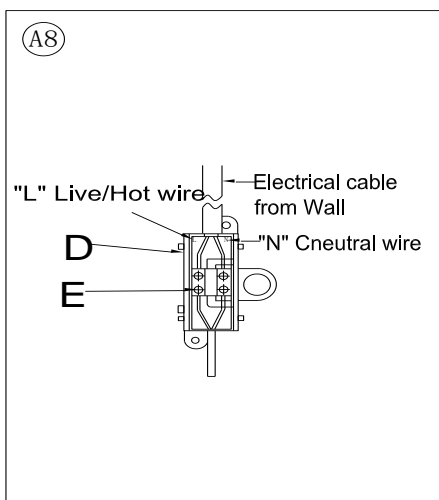
- Determine your desired hanging location. Place the Mounting Plate (B) against the ceiling and mark the location of the slots of the Mounting Plate (B) onto the ceiling using a pencil.



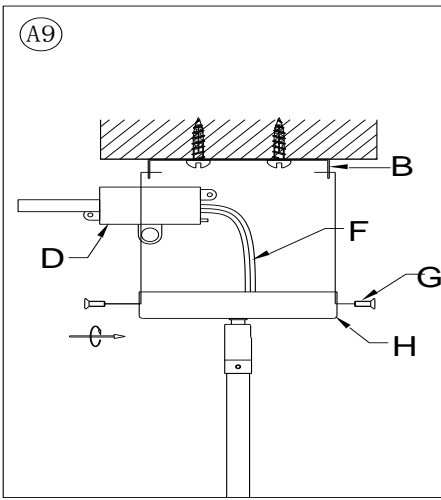
- Using the drill with the appropriate size drill bit (just large enough to make hole that will allow passage of the Plastic Anchors (A) assemblies), drill one hole in the ceiling at each marked slot location for the Plastic Anchors (A).



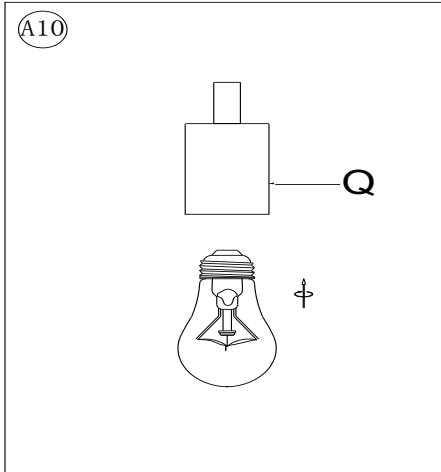
- Insert each Plastic Anchor (A) into each drilled hole on ceiling. Attach the Mounting Plate (B) onto the ceiling aligning the 2 slots on Mounting Plate (B) with the 2 installed Plastic Anchors (A). Insert the Mounting Screws (C) and tighten each to secure the Mounting Plate (B) firmly onto the ceiling



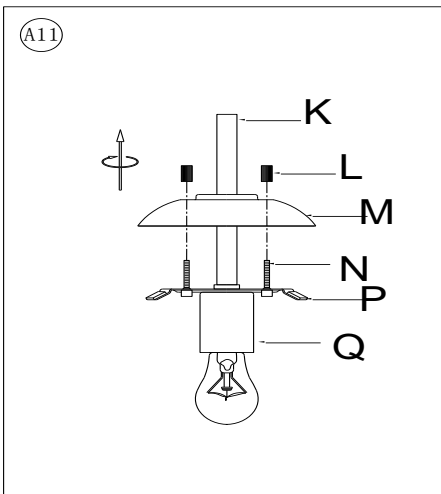
- Find the Terminal Block (E) by opening the cover of Plastic Junction Box (D) in the Canopy (H). Carefully inspect the Terminal Block (E), the terminal marked "L" is to connect to Live/Hot wire of power supply cable and the terminal marked "N" is to connect to Neutral wire of power supply cable. Insert the electrical wire of power supply cord through the rubber tubing of Plastic Junction Box (D) and correctly connect the wires of power supply cable to the Terminal Block (M). Seal the Plastic Junction Box (D) by putting its cover back after completing electrical wire connections.



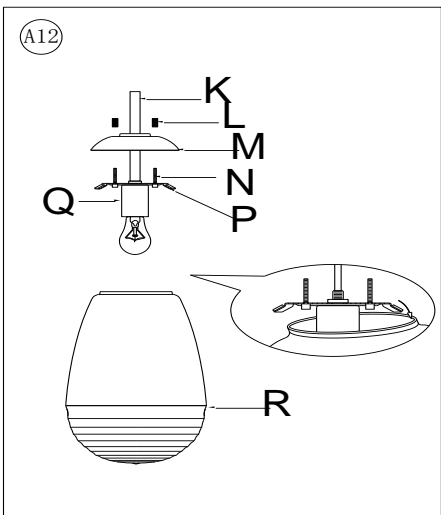
9. Gently place the Plastic Junction Box (D) and electrical wires neatly into the Canopy (H). Raise the Canopy (H) upwards over the Mounting Plate (B) until the upper rim of Canopy (H) is pressing gently against the ceiling surface. With the help of another people to hold the weight of the light fixture, position the Canopy (H) over the Mounting Plate (B), aligning the 2 holes on the Canopy (H) with the 2 holes from the Mounting Plate (B). Insert the 2 Canopy Screws (G) and tighten to secure the Canopy (H) in place.



10. Insert the specified light bulb (NOT INCLUDED) into the Socket (Q). DO NOT EXCEED THE SPECIFIED WATTAGE.



11. Unscrew the Knurled Nuts (L) from the Threaded Rods (N). Slide the Metal Cap (M) upwards along the Metal Tubes (J/K) and holding it with the help of another people.



12. Position the Glass Shade (R) over the Support Bar (P) by inserting the Socket (Q) and Support Bar (P) into the opening of the Glass Shade (R) in a slanted direction. Make sure the rim of opening of the Glass Shade (R) is seated and engaged with the recessed surface of the Support Bar (P). Lower the Metal Cap (M) onto the Support Bar (P) making sure the 2 Threaded Rods (N) on the Support Bar (P) to extend through the 2 holes on the Metal Cap (M). Secure the Glass Shade (R) by turning the 2 Knurled Nuts (L) onto the extended threaded portions of the 2 Threaded Rods (N) clockwise by hand until tight.

**Care instructions:**

- Wipe clean with a soft, dry cloth or static duster.
- Always avoid the use of harsh chemicals or abrasive cleaners as they may cause damage to the fixture's finish.

Thank you for your purchase  
Stores | catalog | [www.westelm.com](http://www.westelm.com)