

Overarching Curvilinear Mid-Century Floor Lamp Assembly Instructions

Important Safety Instructions:

- These instructions are provided for your safety. It is very important that they are read carefully and completely before beginning the assembly and installation of this lighting fixture.
- For your safety and convenience, it is strongly recommended that two people install the lighting fixture.
- **If the flexible cable or cord of this lighting fixture is damaged, it shall be exclusively replaced by the manufacturer or his service agent or a similar qualified person to avoid a hazard.**
- This fixture has been rated for up to one (1) **E27 40-watt maximum standard light bulb** (not included), do not exceed the recommended lamp wattage.
- This lamp is meant for indoor use.
- **Save these instructions.**

WARNING:

- **To reduce the risk of fire, electrical shock or personal injury, always turn off and unplug the light fixture and allow it to cool prior to replacing the light bulb.**
- **Do not touch bulb when fixture is turned on. Do not look directly at lit bulb.**
- **Keep flammable materials away from lit bulb.**

Pre-assembly:

- Remove all parts and hardware from box along with any plastic protective packaging.
- Do not discard any contents until after assembly is complete to avoid accidentally discarding small parts or hardware.

Parts Included:

(A) Shade (1)

(C) Socket (1)

(D) Upper Stem (1)

(H) Lower Stem (1)

(I) Joint (1)



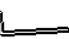
(J) Base (1)

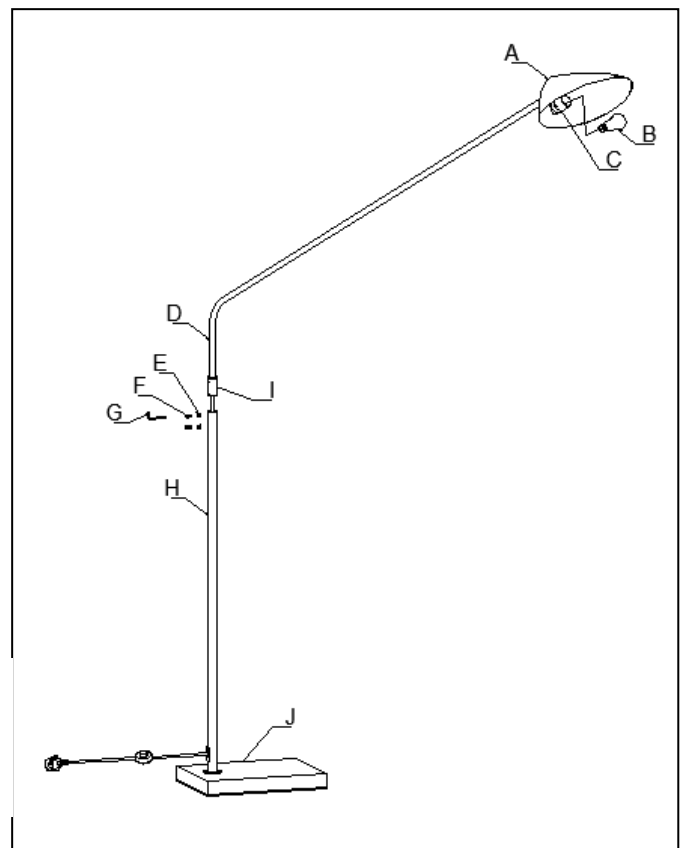
Hardware Enclosed:

(G) Allen Key (1)

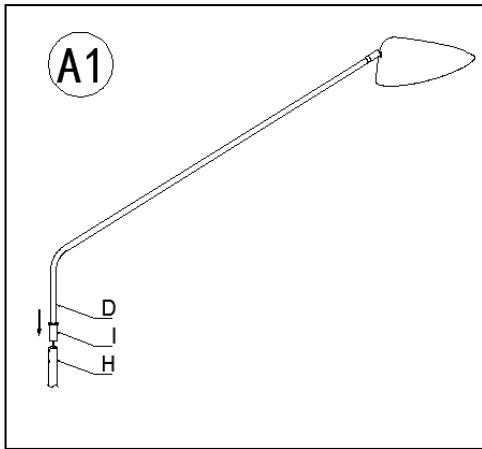
(E) Washers (2)

(F) Screws (2)

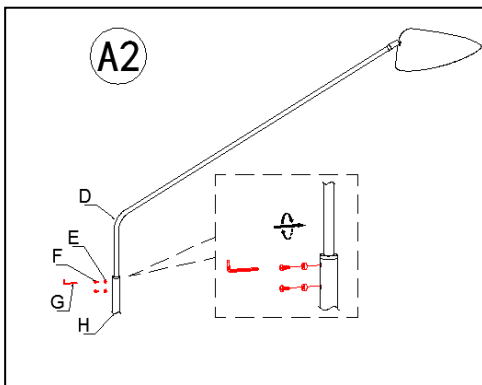
F		E		G	
x2		x2		x1	



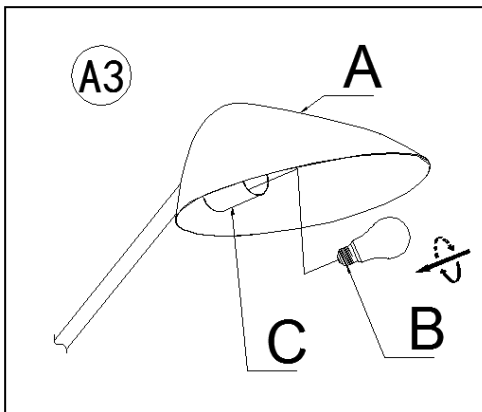
To Assemble:



1. Insert the Joint (I) into the Low Stem (H), aligning the holes in the Joint (I) with the holes from the Low Stem (H).



2. Attach the washers (E) and Screws (F) onto the Low Stem (H) and fasten Screws (F) with Allen Key (G) driver in a clock direction until tight.



3. If needed, adjust the Shades (A) to the desired angle by gently moving the Shade (A) by hand. Insert the specified light bulb (B) into the Socket (C). DO NOT EXCEED THE SPECIFIED WATTAGE.

Care instructions:

- Wipe clean with a soft, dry cloth or static duster.
- Always avoid the use of harsh chemicals or abrasive cleaners as they may cause damage to the fixture's finish.

Thank you for your purchase
Stores | catalog | www.westelm.com