

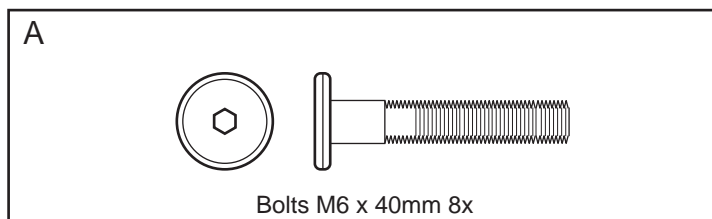
! Tools supplied:

! Do not throw away packaging materials until assembly is complete.

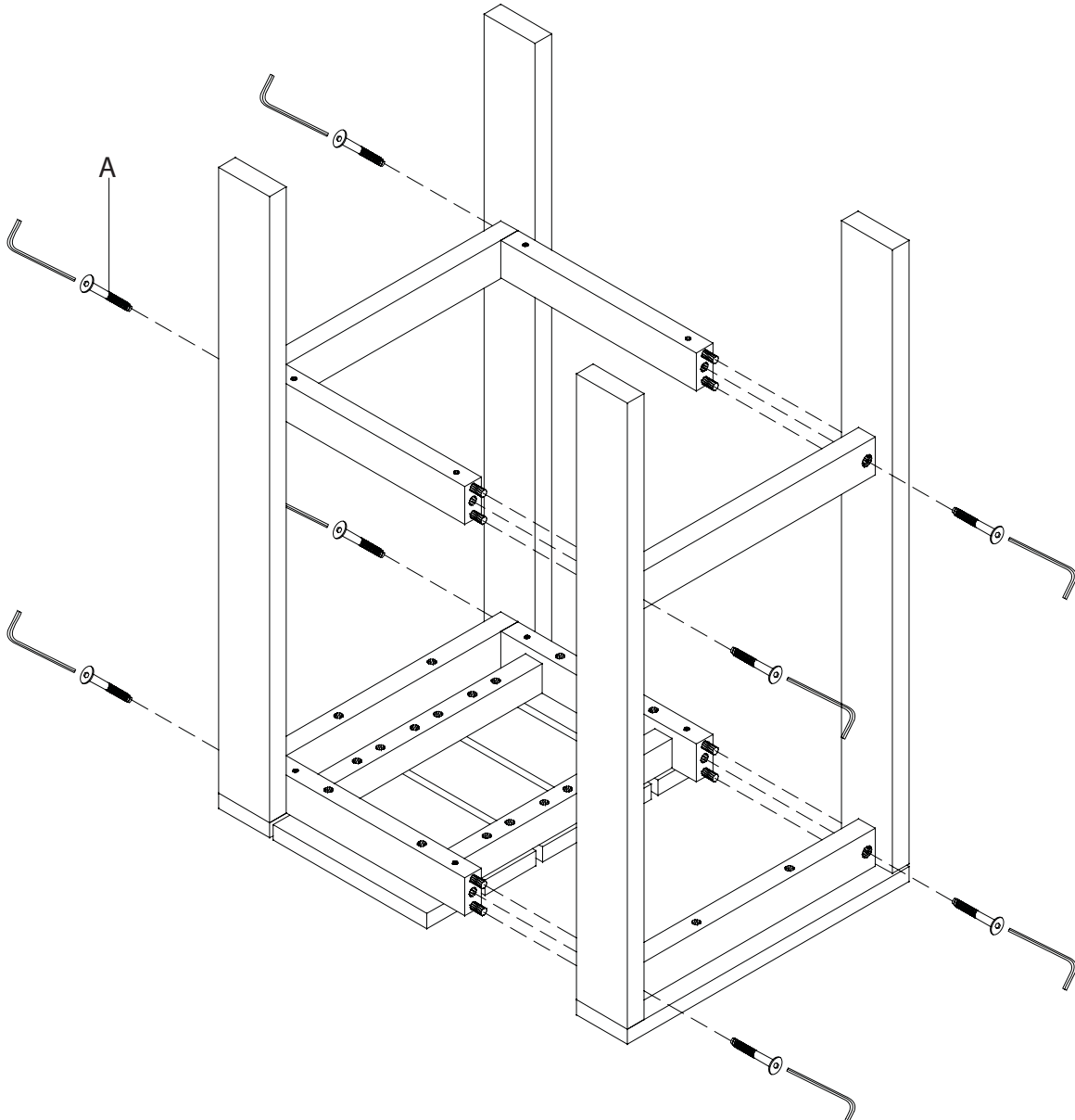
! Assemble this item on a soft surface, such as cardboard or carpet, to protect finish.

! Proper assembly of this item requires 2 people.

## Hardware



1. Carefully lay table top upside down on a carpeted or scratch-free surface. From the outside of the leg frame insert 2 bolts (A) into the seat frame. Next, insert 2 bolts (A) into the bottom rails as shown. Tighten with supplied hex key. Repeat for the opposite leg frame.



#### CARE INSTRUCTIONS

Hardware may loosen overtime. Periodically check that all connections are tight.

Wipe with a soft, dry cloth. To protect finish, avoid the use of chemicals and household cleaners.