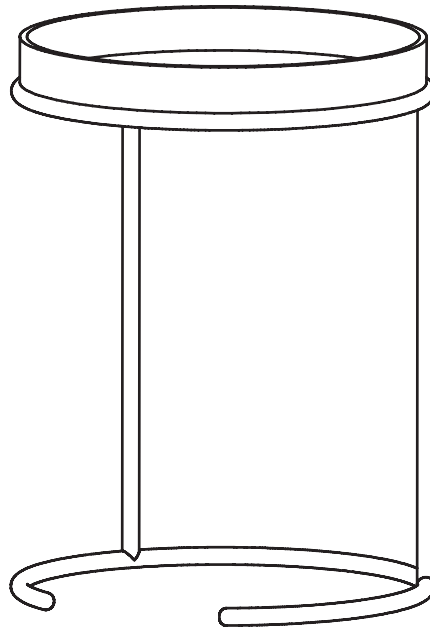


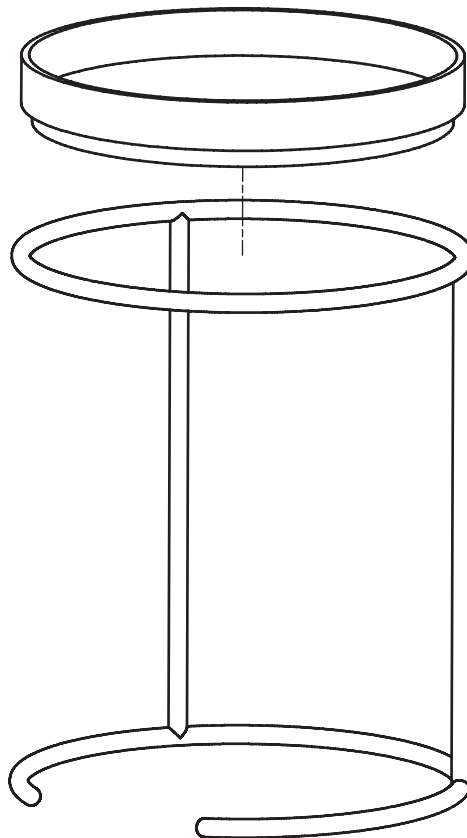
west elm

tray side table

assembly instructions



1. Align tray over table base and place tray onto top of base.



CARE INSTRUCTIONS

Wipe with a soft, dry cloth. To protect finish, avoid the use of chemicals and household cleaners.