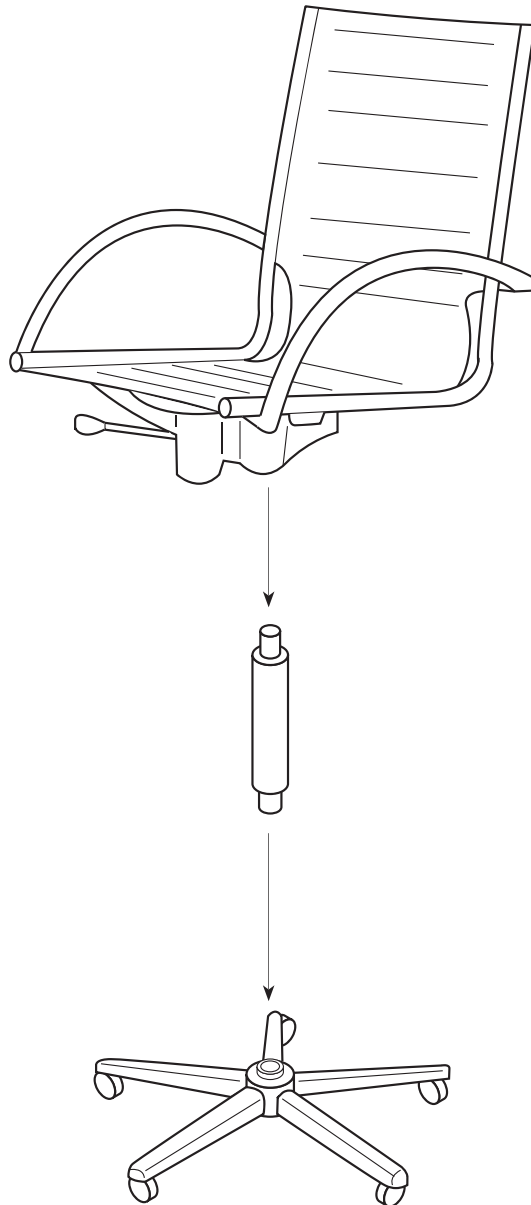


1. Fit chair post into base as shown.

2. Fit seat onto post as shown. To secure, sit heavily on the chair several times. Height can be adjusted using the lever under the right-hand side of the seat.



CARE INSTRUCTION

Hardware may loosen over time. Periodically check that all connections are tight.

Leather seat: Vacuum crevices regularly to remove dirt and dust. Natural oils from hands and body should leather conditioned.

For spills, wipe any excess liquid up immediately with a clean absorbent cloth or sponge. If necessary, wipe spill with a cloth moistened with clean distilled water. Let dry naturally.

Legs: Wipe with a soft, dry cloth. To protect the finish, avoid the use of all chemicals and household cleaners.