

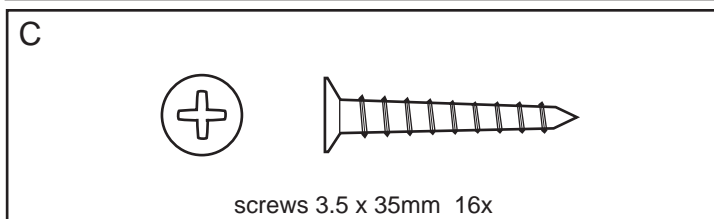
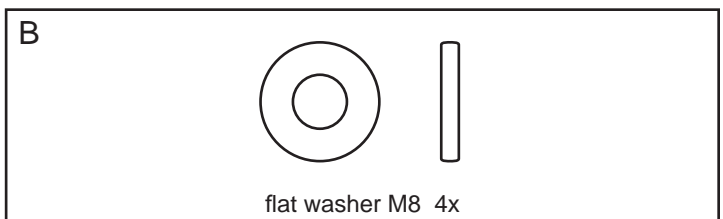
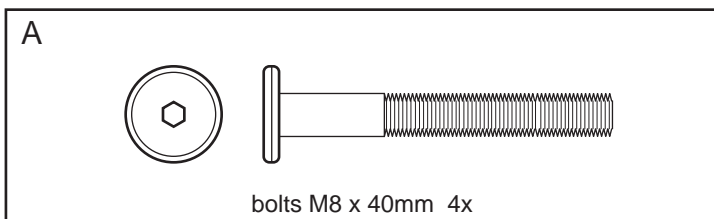
! Tools required:

! Do not throw away packaging materials until assembly is complete.

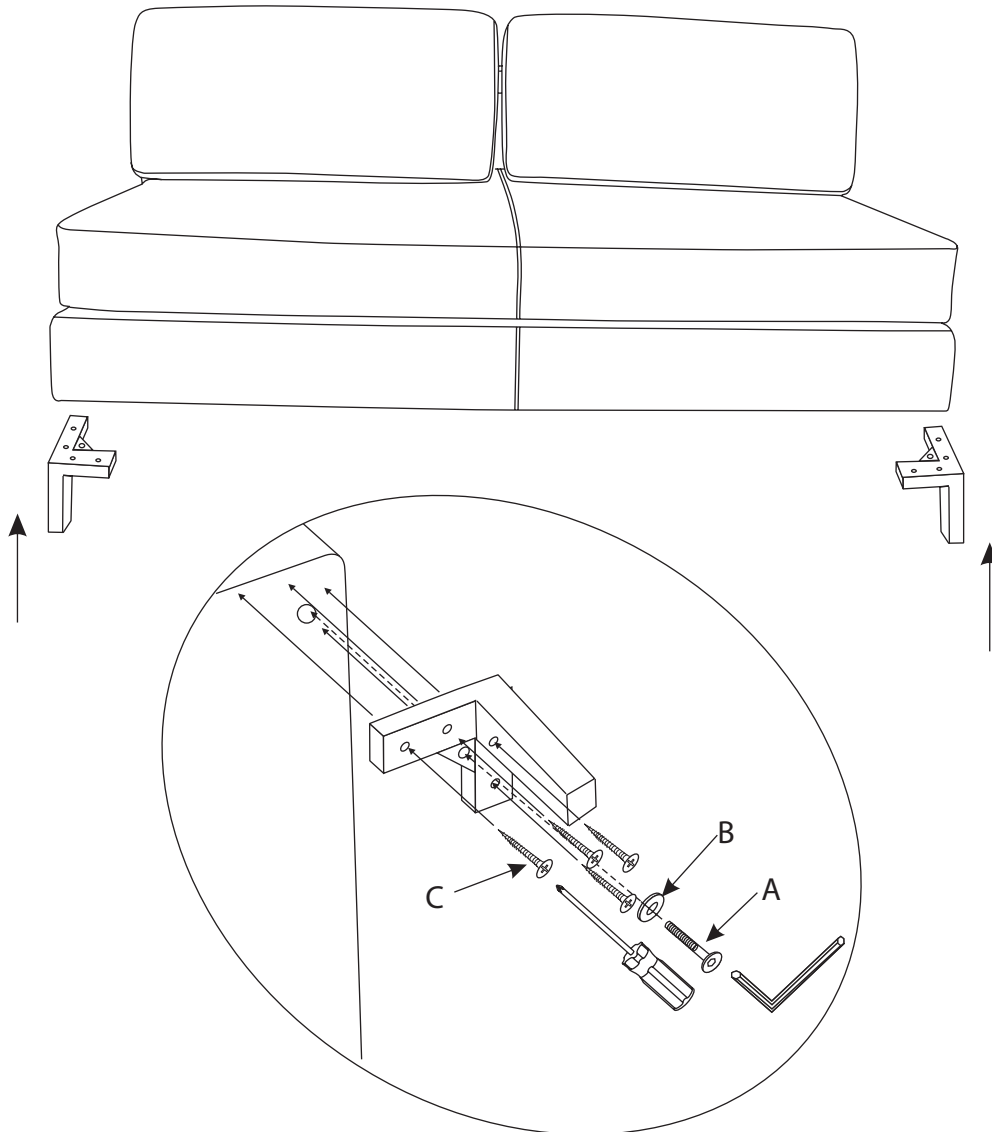
! Assemble this item on a soft surface, such as cardboard or carpet, to protect finish.

! Proper assembly of this item requires 2 people.

Hardware



1. Align the legs with the corners as shown, including the back corner. Insert bolt (A) and washer (B) through leg and into base. Tighten with supplied allen key. Insert 4 screws (C) through legs into base and tighten with phillips head screwdriver. DO NOT OVERTIGHTEN!



CARE INSTRUCTIONS

Hardware may loosen overtime. Periodically check that all connections are tight.

Leather seat: vacuum crevices regularly to remove dirt and dust. Natural oils from hands and body should keep leather conditioned. Use a high grade leather conditioner when needed. For spills wipe any excess liquid up immediately with a clean, absorbant cloth or sponge. If necessary, wipe spill with cloth or sponge. If necessary, wipe spill with cloth moistened in clean distilled water. Let dry naturally.

Legs: Wipe with a soft dry cloth. To protect the finish, avoid the use of all chemicals and household cleaners