

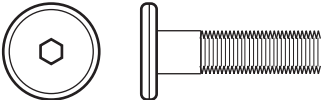
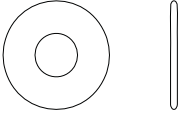
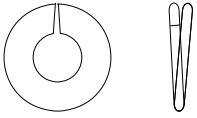
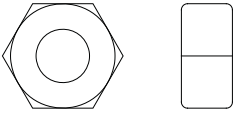

! Tools supplied:

! Do not throw away packaging materials until assembly is complete.

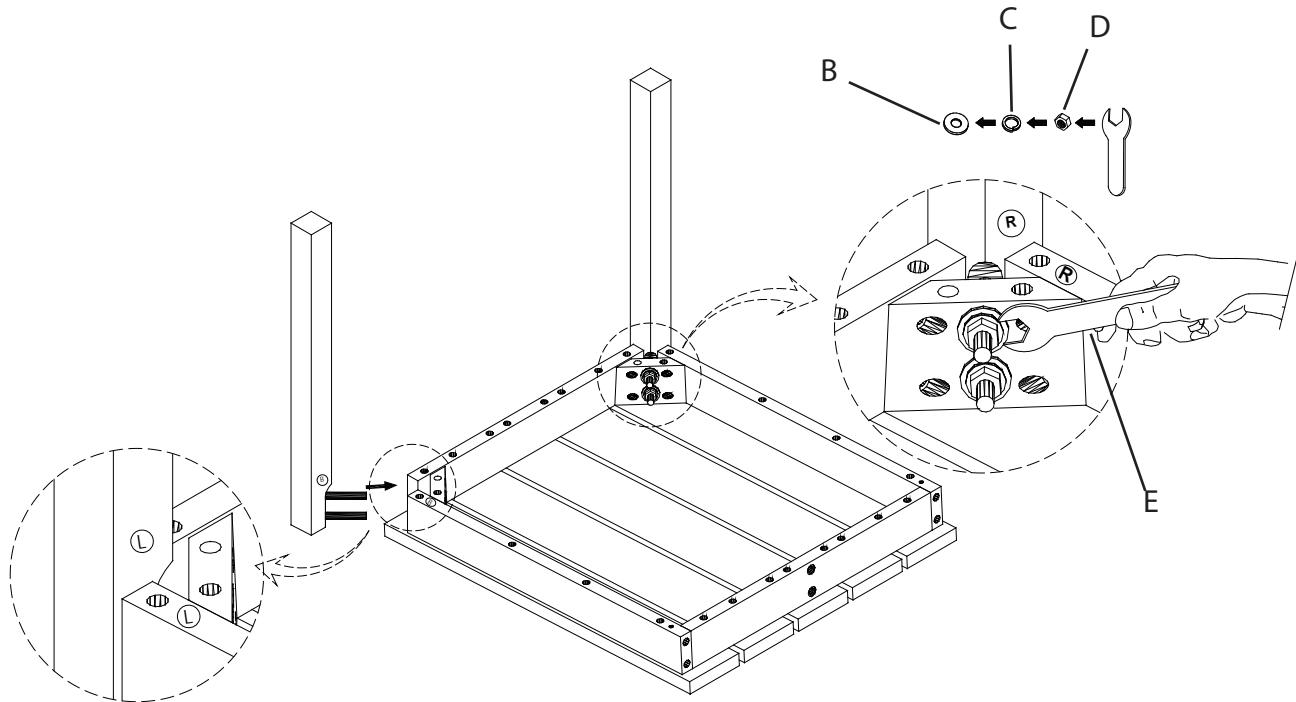
! Assemble this item on a soft surface, such as cardboard or carpet, to protect finish.

! Proper assembly of this item requires 2 people.

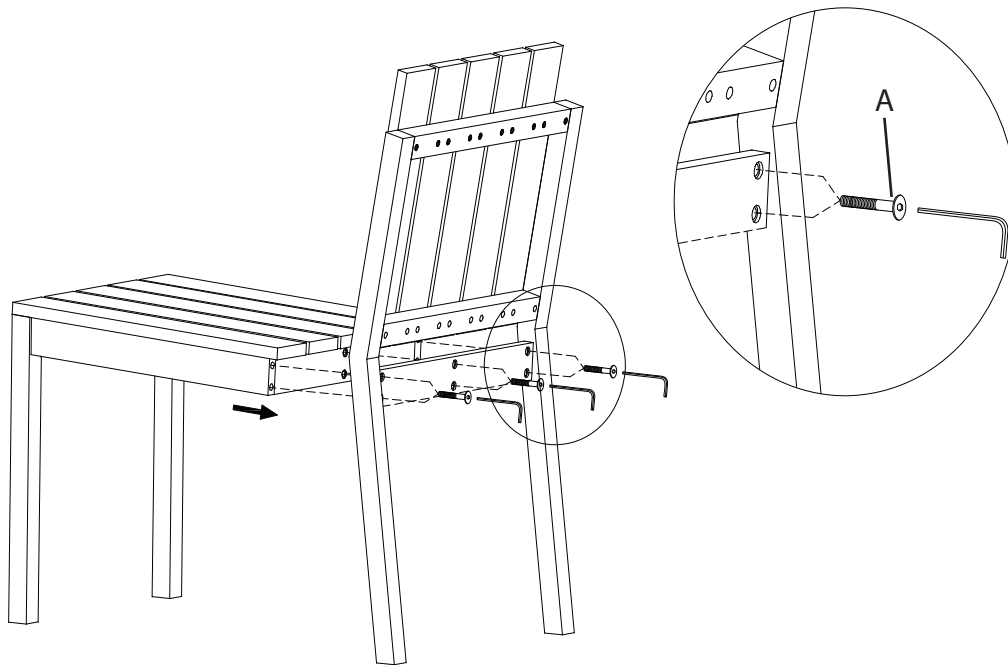
Hardware

<p>A</p>  <p>Bolts M6 x 30mm 6x</p>	<p>B</p>  <p>flat washer 4x</p>
<p>C</p>  <p>lock washer 4x</p>	<p>D</p>  <p>nut 4x</p>
<p>E</p>  <p>wrench 1x</p>	

1. Lay the seat frame, upside down, on a clean smooth surface. Align the front legs with the seat frame. Insert flat washer (B), lock washer (C), and nut (D). Tighten with supplied wrench.



2. Align back assembly with seat frame. Insert bolts (A). Tighten with supplied hex key.



CARE INSTRUCTIONS

Hardware may loosen overtime. Periodically check that all connections are tight.
Wipe with a soft, dry cloth. To protect finish, avoid the use of chemicals and household cleaners.