

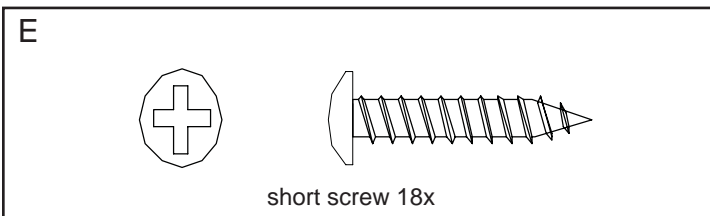
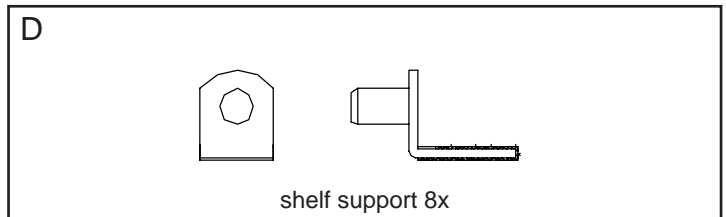
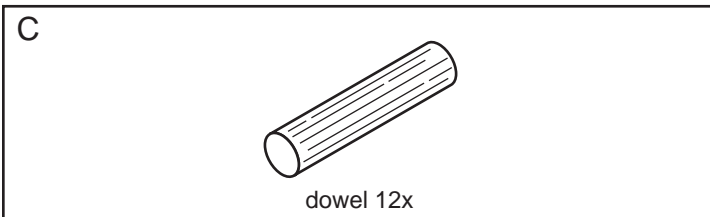
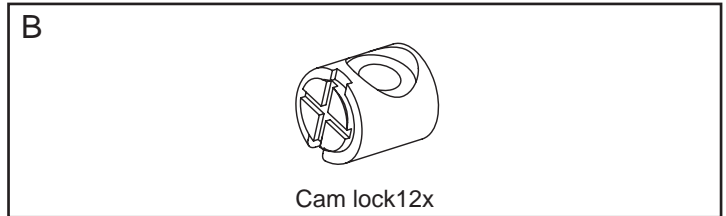
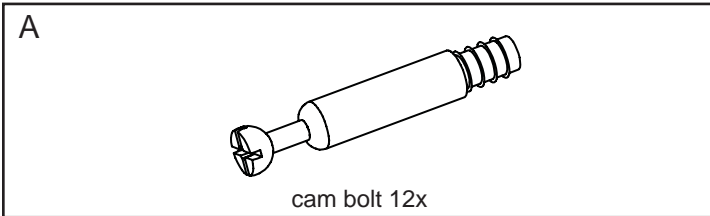
! Tools required: 

! Do not throw away packaging materials until assembly is complete.

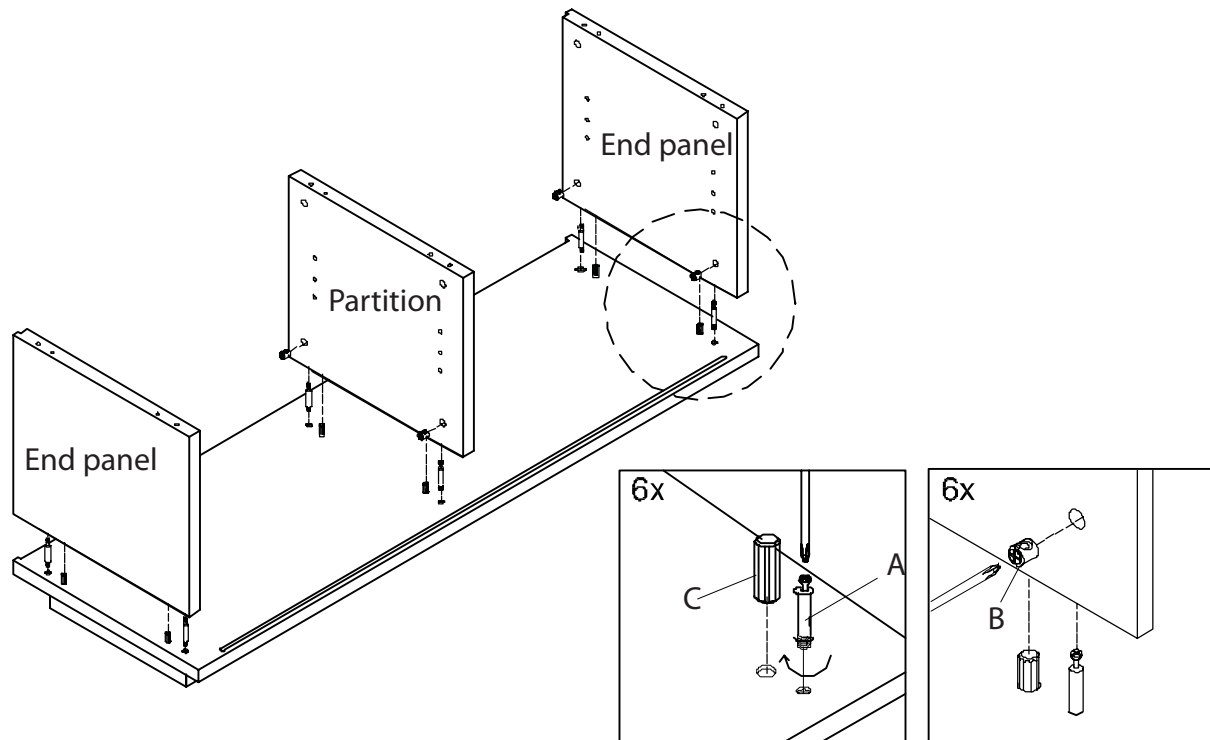
! Assemble this item on a soft surface, such as cardboard or carpet, to protect finish.

! Proper assembly of this item requires 2 people.

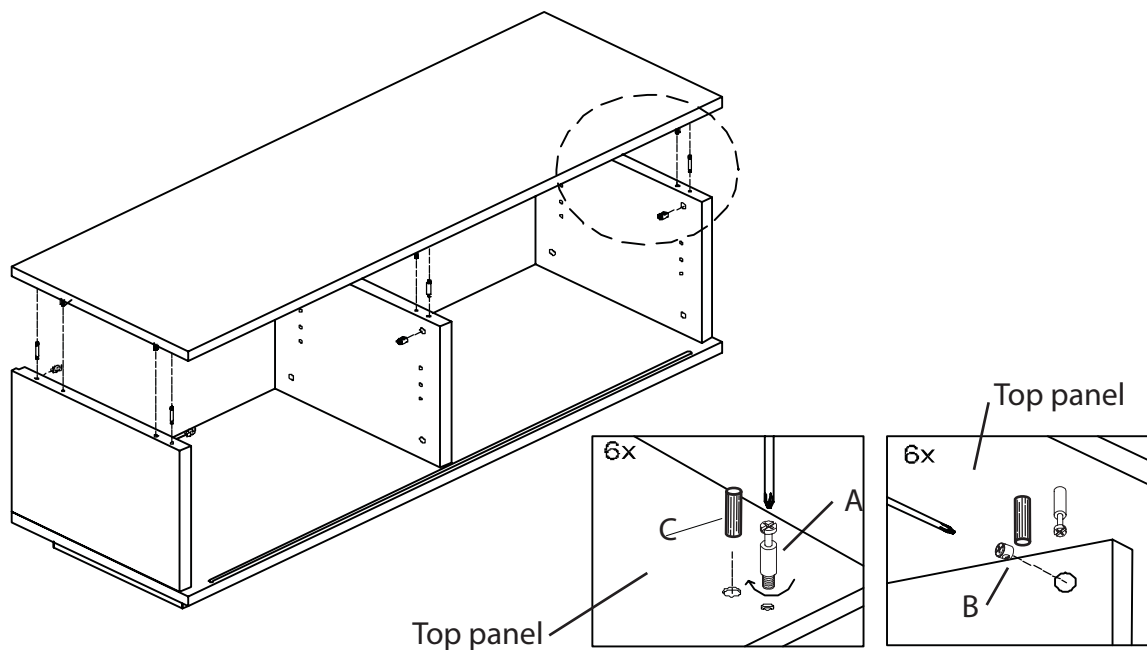
## Hardware



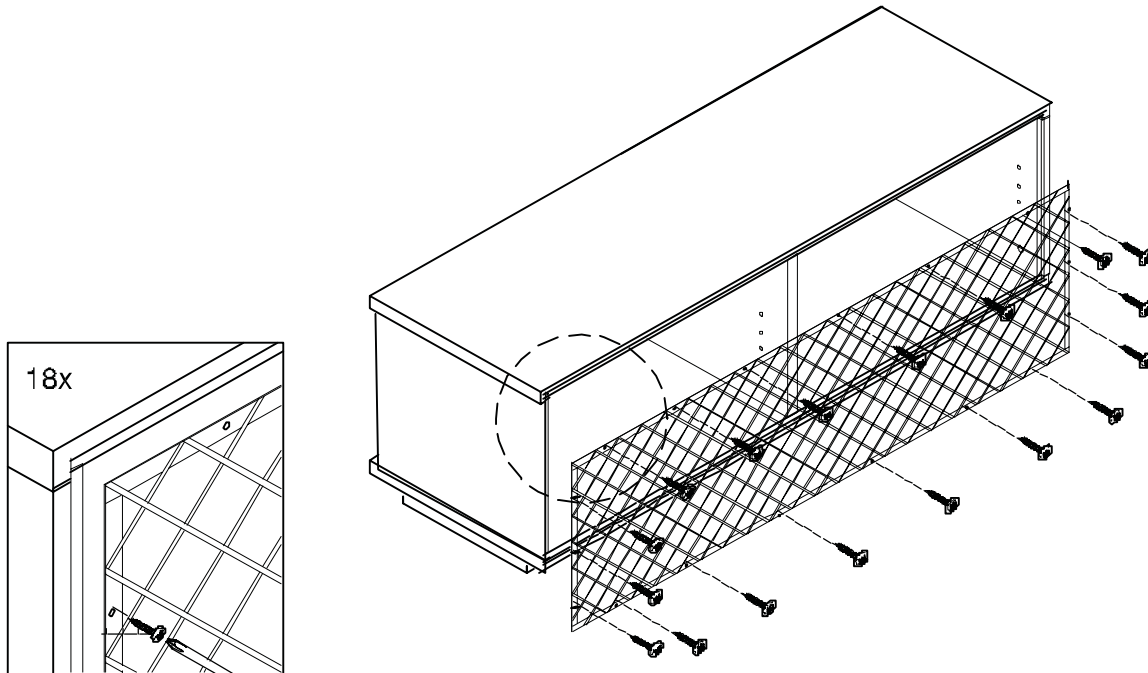
1. Lay the bottom of the media stand on a soft surface. Insert 6 dowels (C) into holes as drawing shows. Using a phillips head screwdriver screw the cam bolts (A) into the bottom panel. Insert cam locks (B) into the end panels and the partition like the drawing shows. Slide the end panels and partitions down over the dowels and cam bolts. Tighten cam locks with phillips head screwdriver.



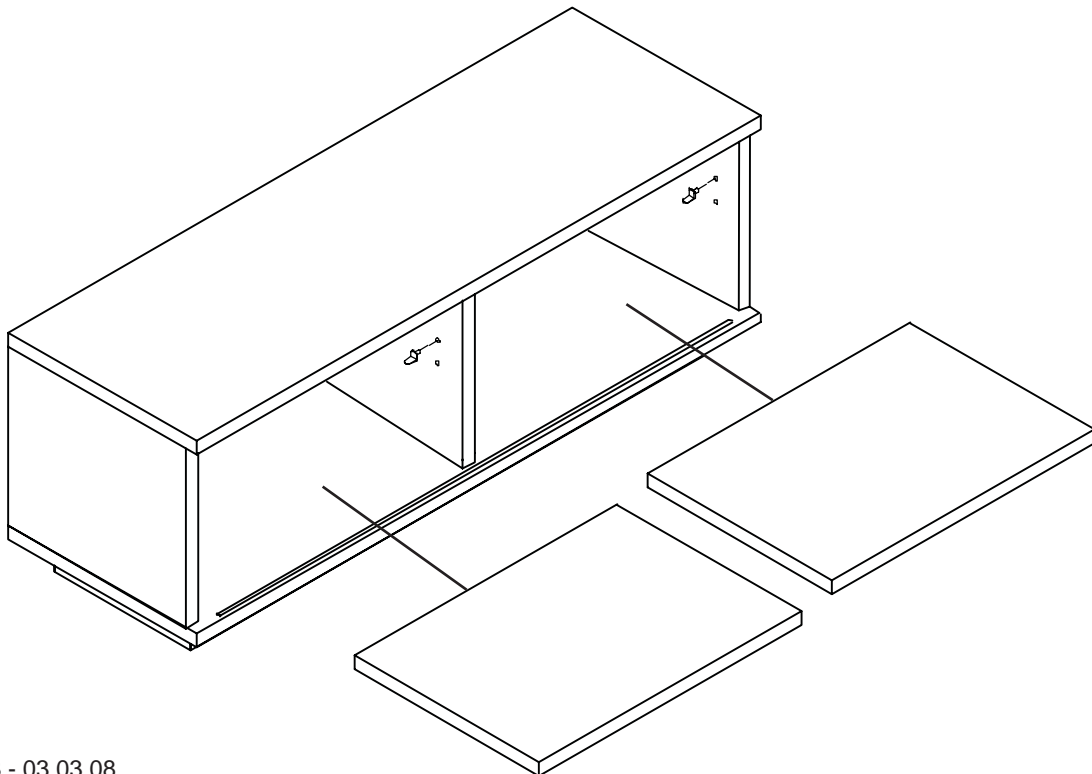
2. Insert 6 dowels (C) into holes in the bottom of the top panel. Using a phillips head screwdriver screw the cam bolts (A) into the bottom of the top panel. Insert cam locks (B) into the end panels and the partition like the drawing shows. Assemble the top panel down onto the end panels and partition aligning the dowels and cam bolts. Tighten cam locks (B) with a phillips head screwdriver.



- Center back screen onto back of media stand and screw in 18 screws (E) through back screen into media unit using a phillips head screwdriver.

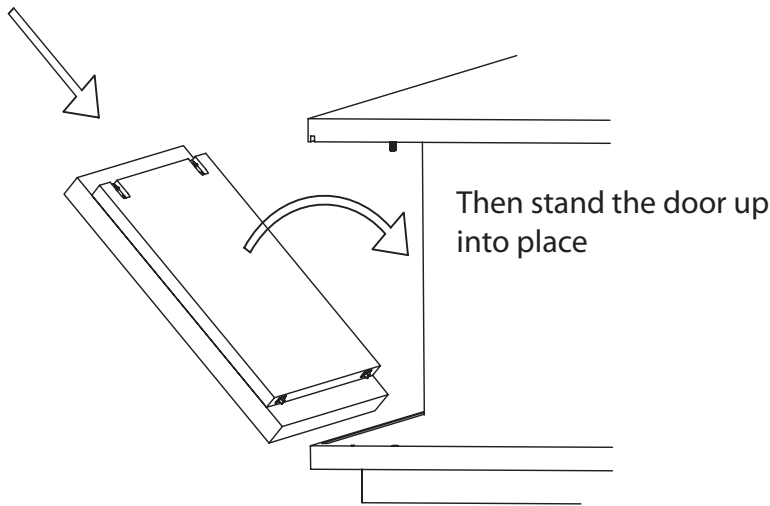


- Insert 8 shelf support (D) into end panels and partition to support the shelves. Make sure that the supports are level and that the shelf sits flat.

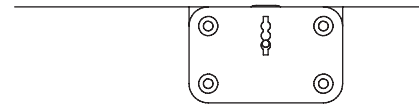


- 5. Align bottom of sliding door into track in bottom panel, making sure that the top door lock is down. Stand door upright against the top panel. Slide door lock up making sure that it latches into the groove in the bottom of the top panel.

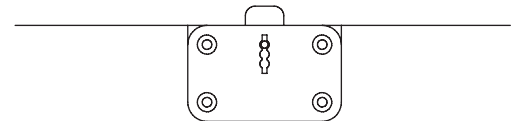
Slide door into place at angle, aligning bottom guide into track



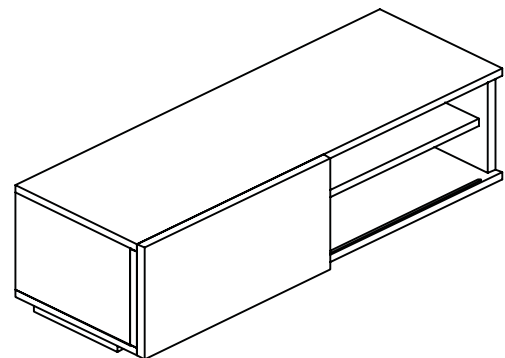
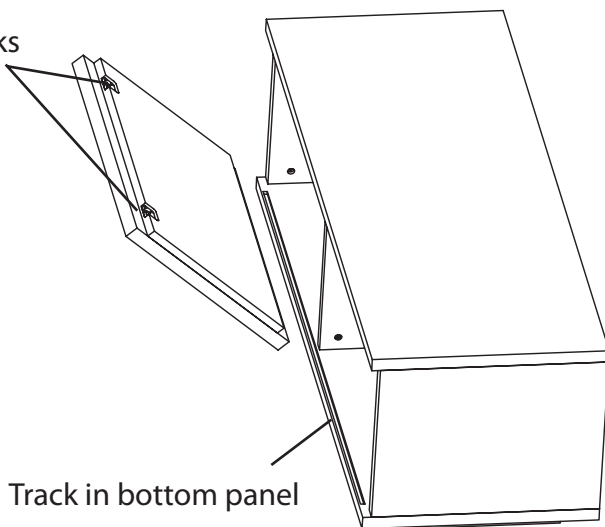
Top lock in down position



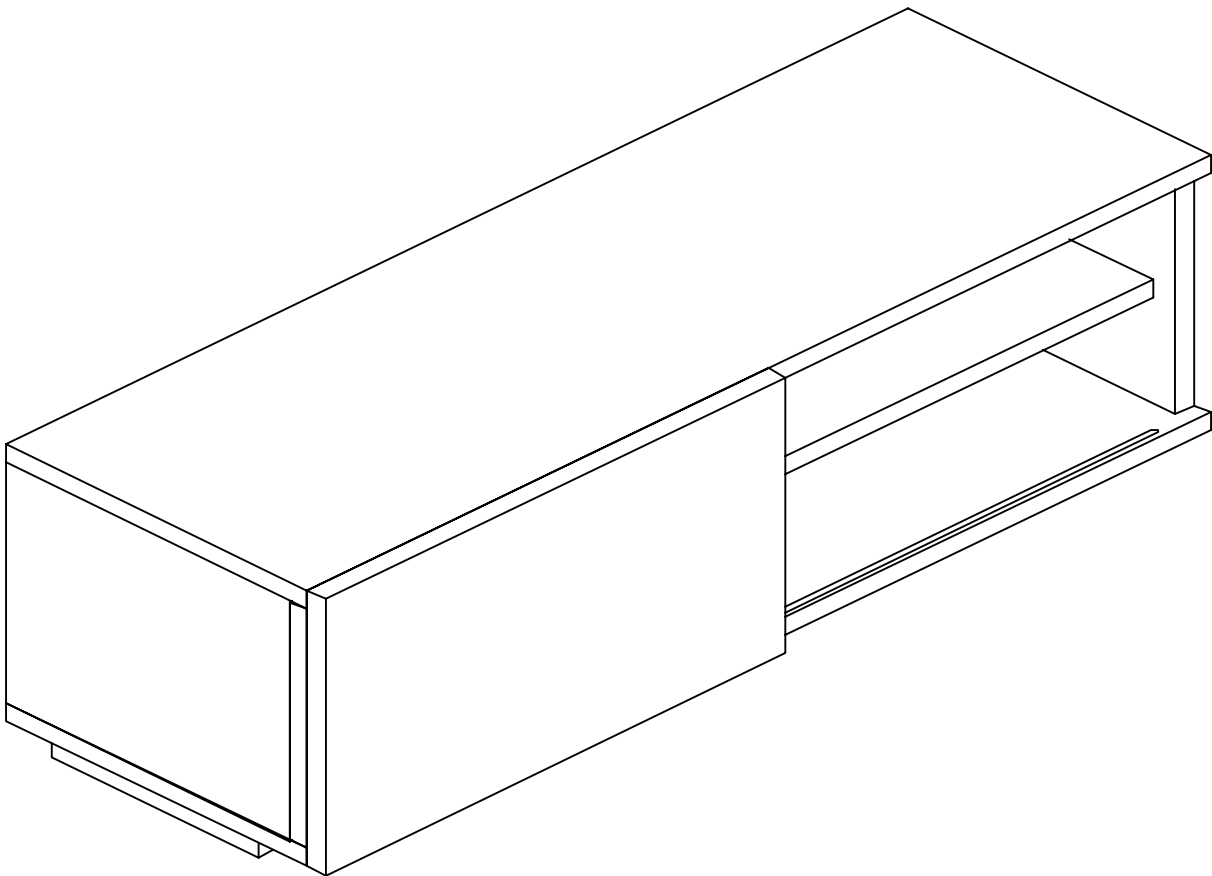
Top lock in up (Locked) position



Door locks



⚠ CAUTION The top shelf of this stand is intended for use with:  
Plasma/LCD Televisions having a maximum screen size of 52" and a weight of 135 lbs.  
Tube televisions having a maximum screen size of 30" and weight of 135 lbs.



CARE INSTRUCTIONS

Hardware may loosen overtime. Periodically check that all connections are tight.

Wipe with a soft, dry cloth. To protect finish, avoid the use of chemicals and household cleaners.