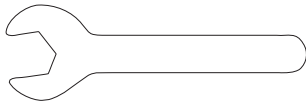


! Tools supplied:

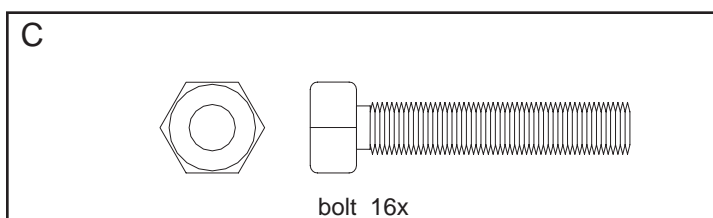
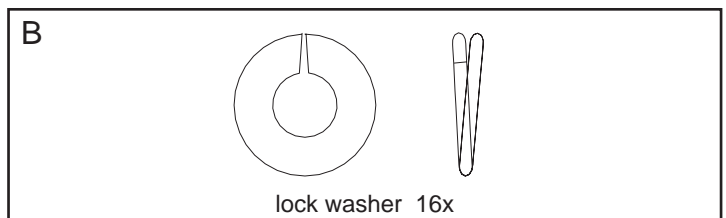
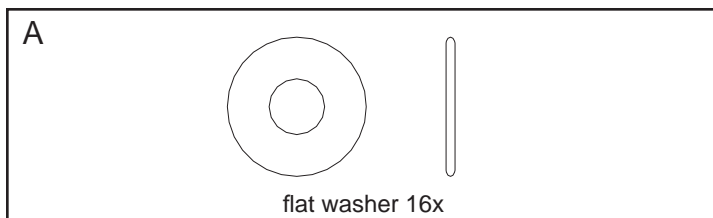


! Do not throw away packaging materials until assembly is complete.

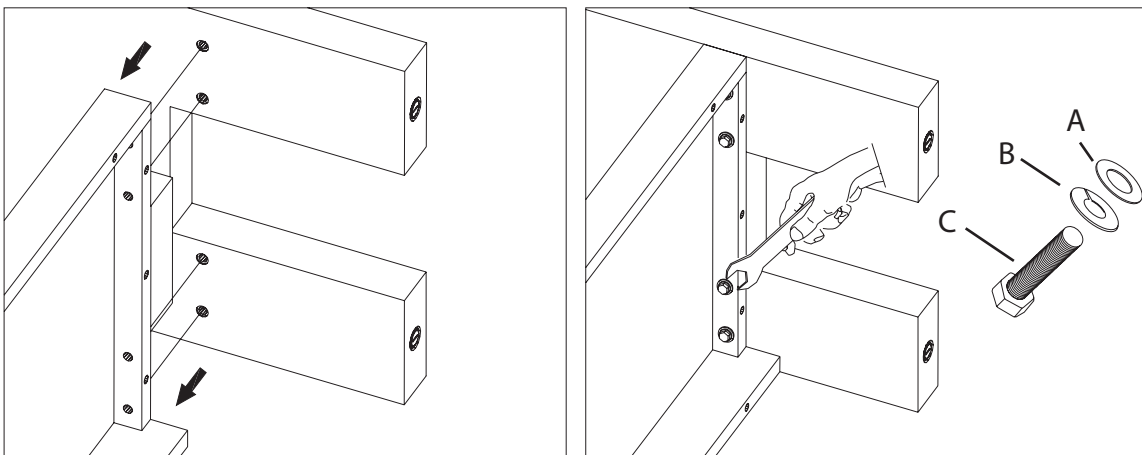
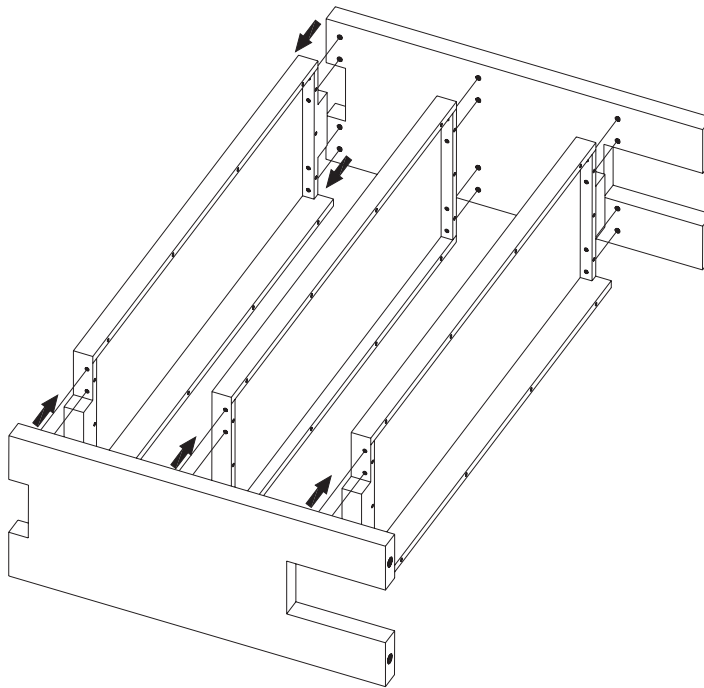
! Assemble this item on a soft surface, such as cardboard or carpet, to protect finish.

! Proper assembly of this item requires 2 people.

## Hardware



1. Carefully lay side panels and shelves onto scratch-free surface such as carpet or cardboard. Align shelves with holes on side panels as drawing shows. Insert bolt (C), lock washer (B), and flat washer (A) into holes and tighten with supplied wrench. Once all three shelves are installed stand the console up. Levelers may need to be adjusted to accommodate uneven floors.



#### CARE INSTRUCTIONS

Hardware may loosen overtime. Periodically check that all connections are tight.

Wipe with a soft, dry cloth. To protect finish, avoid the use of chemicals and household cleaners.