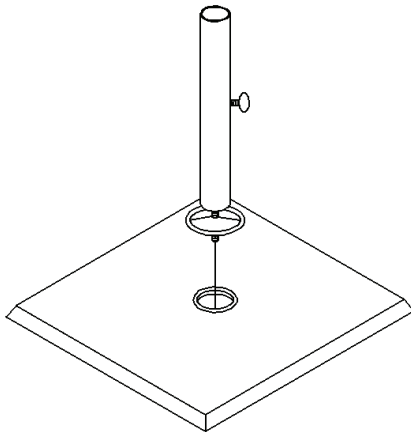


* Umbrella sold separately

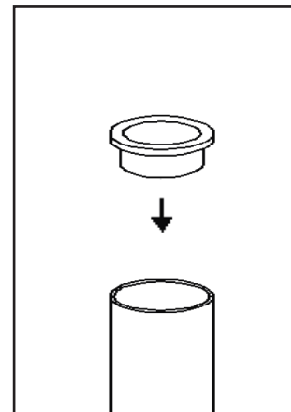
! Do not throw away packaging materials until assembly is complete.

! Assemble this item on a soft surface, such as cardboard or carpet, to protect finish.

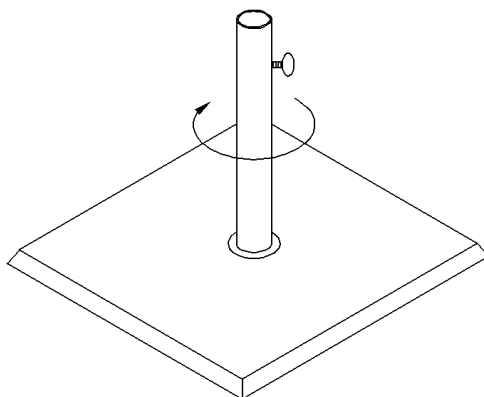
1. Place the metal washer around the base of the tube. Insert the tube and washer into the base.



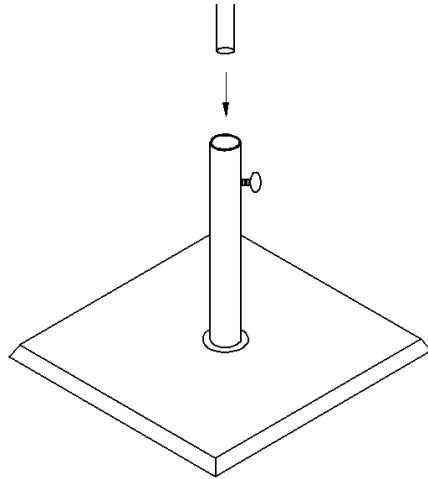
NOTE: If using a smaller umbrella begin by inserting plastic adapter into tube as shown.



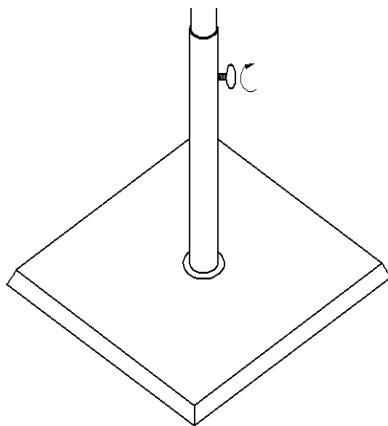
2. Turn clockwise until fully tightened.



3. Insert umbrella (sold separately) into opening at top of tube.



4. Secure the umbrella by turning the tightening key until the umbrella pole stands securely upright.



CARE INSTRUCTIONS

Wipe with a dry or slightly damp cloth and dry thoroughly. To protect finish, avoid the use of chemicals and household cleaners.
Store in a dry covered area when not in use.