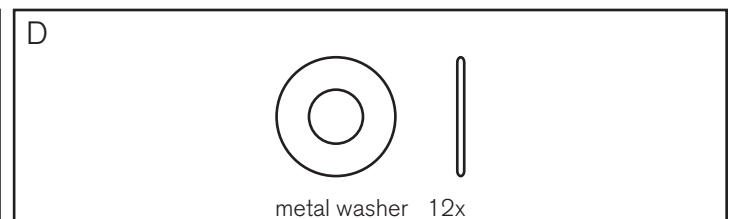
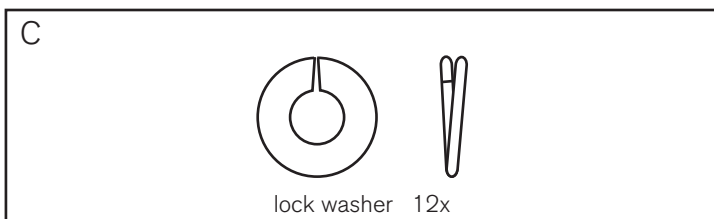
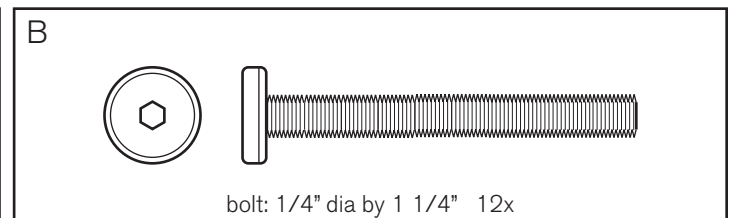
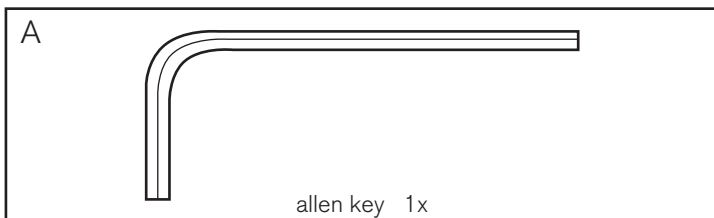


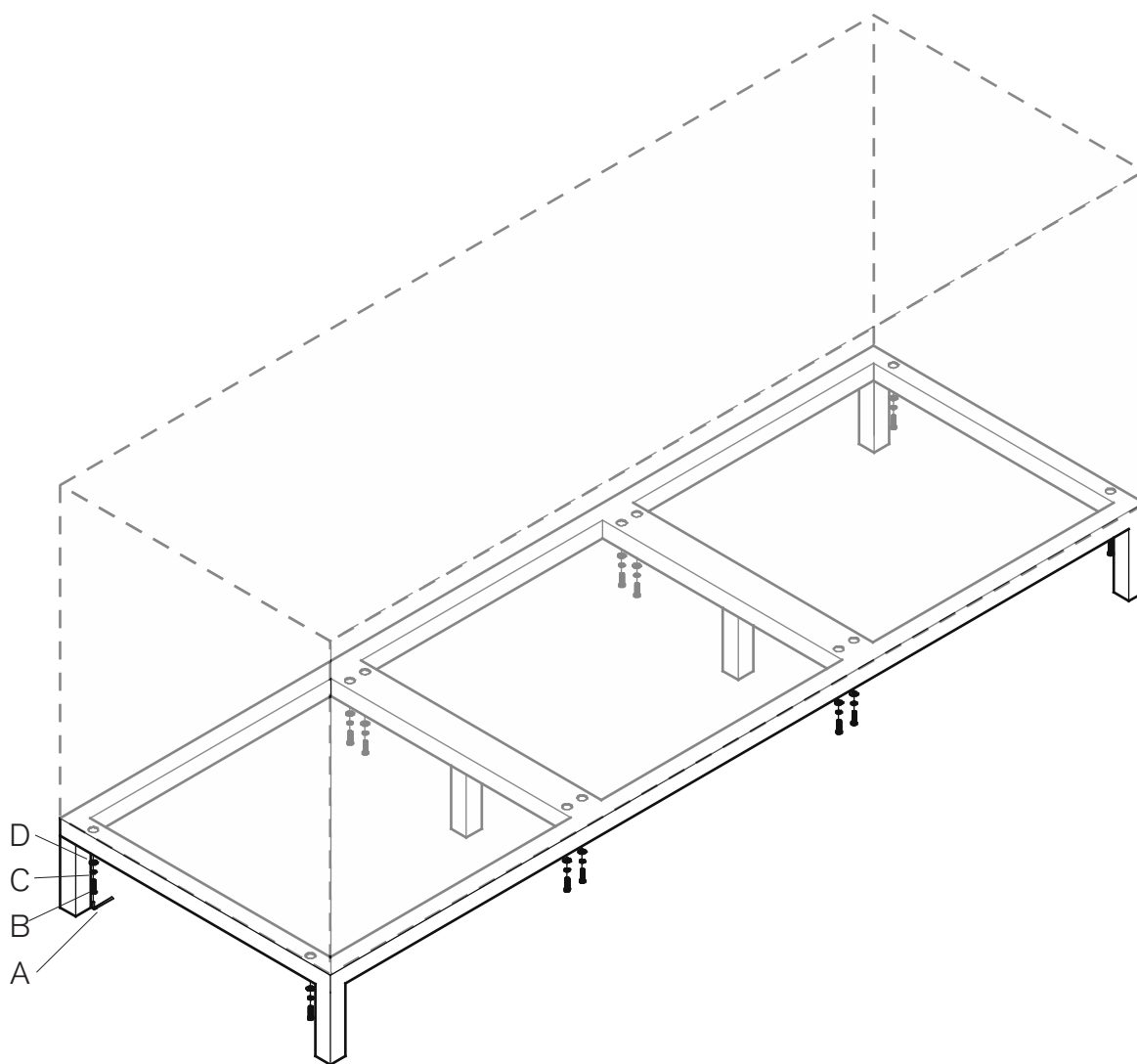
! Do not throw away packaging materials until assembly is complete.

! Assemble this item on a soft surface, such as cardboard or carpet, to protect finish.

! Proper assembly of this item requires 2 people.



1. Insert bolt (B) with lock washer (C) and metal washer (D) through predrilled hole in bottom corner of base and into cubic bath cabinet, as shown. Tighten using allen key (A).



CARE INSTRUCTION

Hardware may loosen over time. Periodically check that all connections are tight.

Wipe with a soft, dry cloth. To protect finish, avoid the use of chemicals and household cleaners.

OVERBALANCE

To prevent injury and property damage from unexpected tipping of furniture, we highly recommend installation of the two (2) sets of overbalance protection hardware included with this product.

1. Attach the two mounting brackets (I) horizontally to the top back edge of the furniture. Insert the short screws (III) through the holes in the bracket (I) and tighten securely using screwdriver.
2. Determine where the furniture is to be placed and mark location on the wall for the other two mounting bracket screw holes. It should be placed approximately 2" below the bracket mounted to the furniture.
3. Attach the two mounting brackets (I) vertically to the wall by inserting the long screws (IV) provided through the holes in the bracket and tightening securely using screwdriver.
4. Place the furniture so the brackets (I) on the back edge are in line with the brackets (I) on the wall.
5. Lace an end of the nylon restraint strap (II) down through each bracket (I). Bring both ends together and slide the thin end of the strap through the receiving end of the strap until snug.
6. Check to make sure the strap is securely laced and locked to the brackets.
7. Repeat steps 5 and 6 for the second bracket set.

