

CAUTION:

The top shelf of this stand is intended for use with:

Plasma/LCD televisions having a maximum screen size of 40" and a weight of 80lbs.

Tube televisions having a maximum screen size of 16" and a weight of 35lbs.

! Tools required: 


! Do not throw away packaging materials until assembly is complete.

! Assemble this item on a soft surface, such as cardboard or carpet, to protect finish.

! Proper assembly of this item requires 2 people.

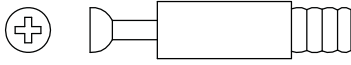
Parts

A



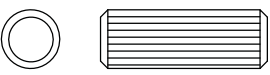
x18

B




x18

C



x12

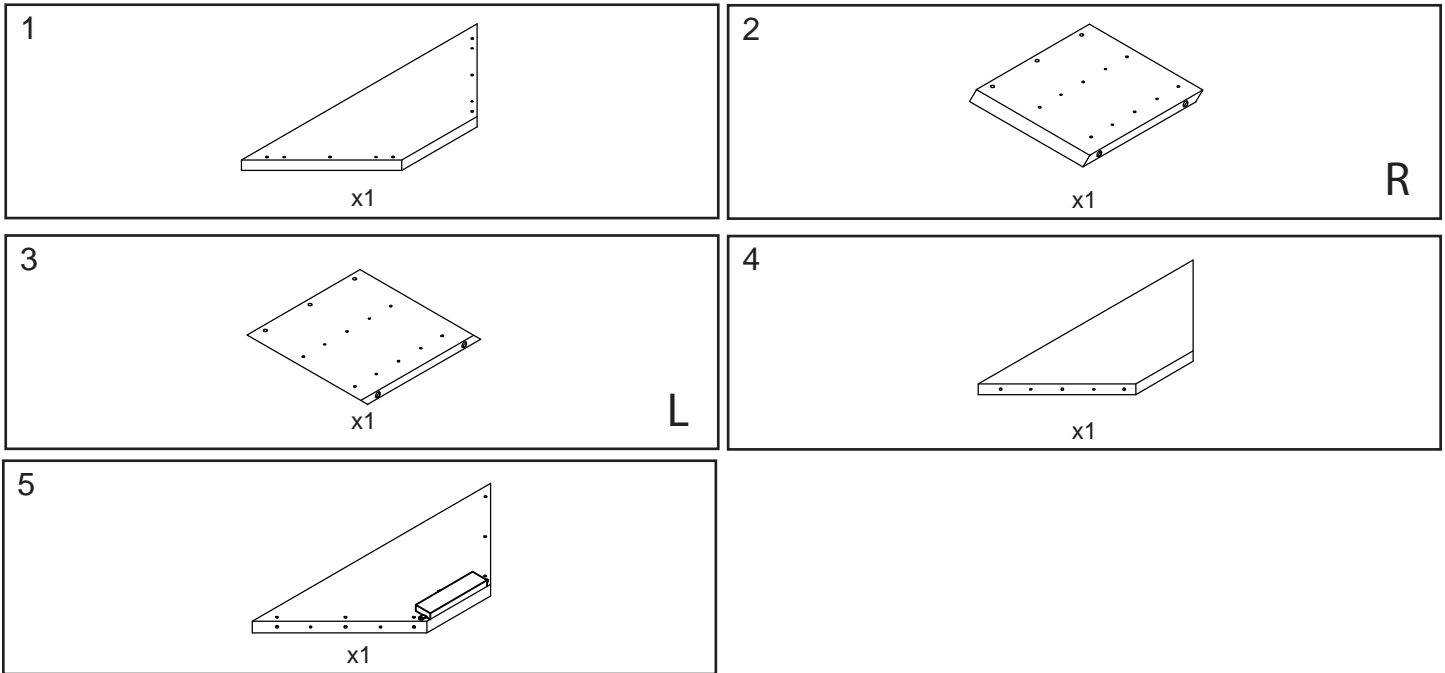


Mounting Plate 4x

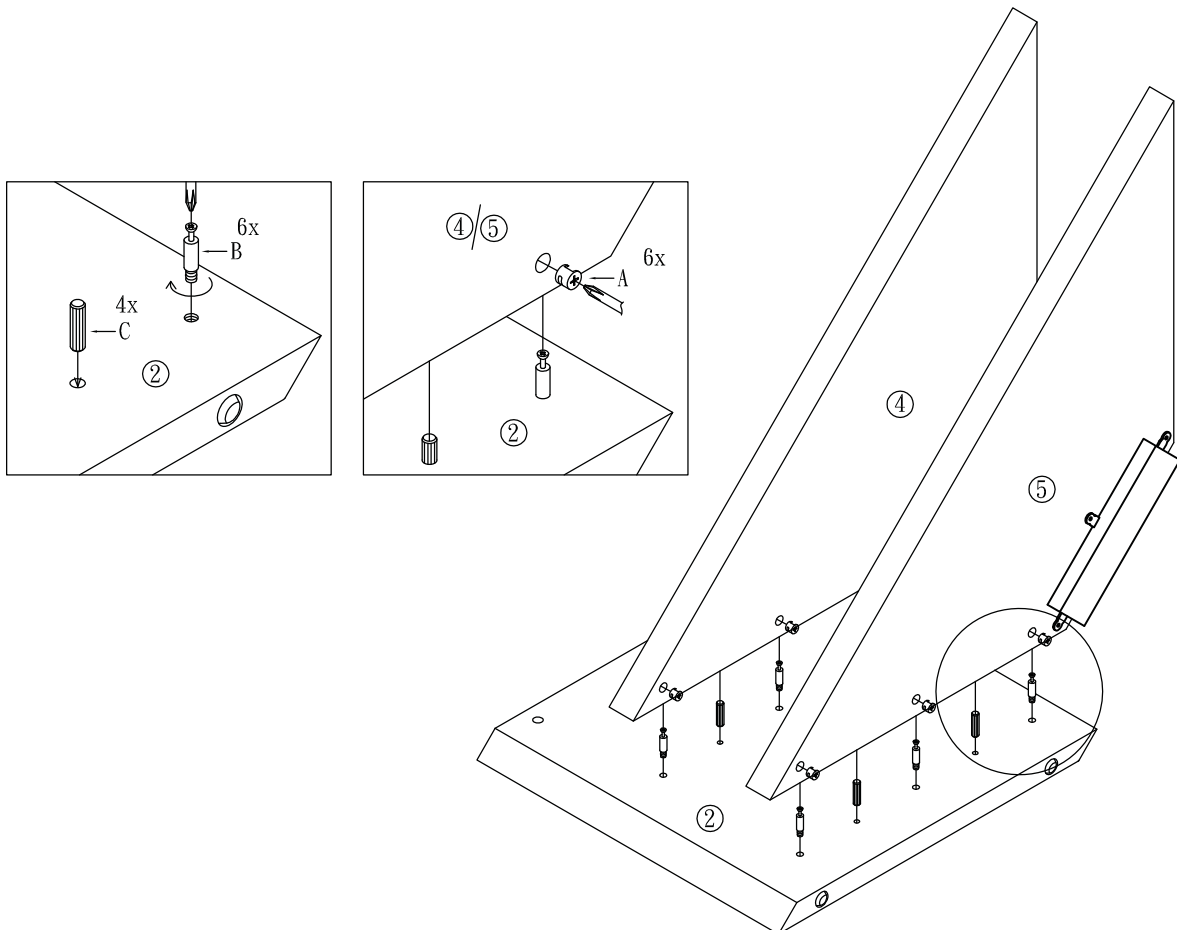
Anti tip kit 2x

Nylon Strap 2x

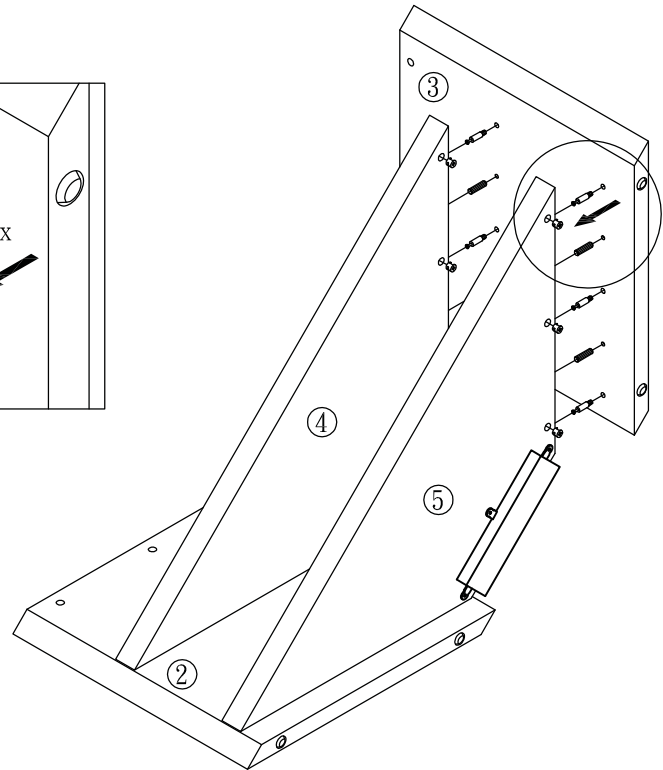
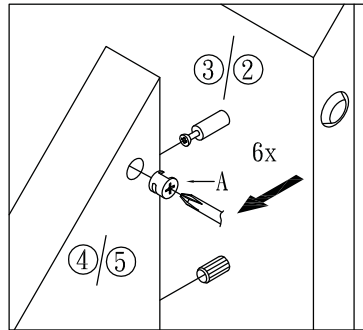
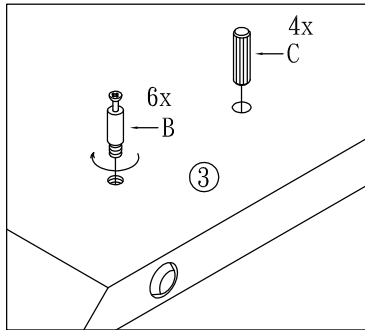
Small Screw 4x Large Screw 4x



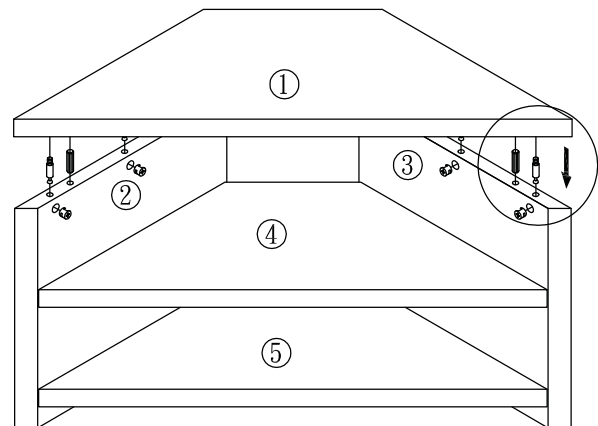
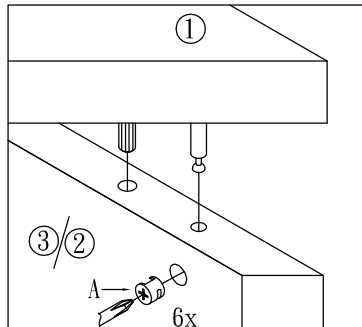
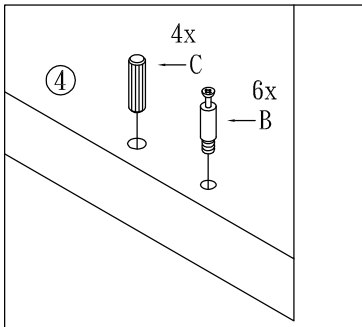
1. Lay part #2 on a clean flat surface. Insert dowels (C), and cam bolts (B) like the drawing shows. Insert cam locks (A) into shelf #4 and #5. Align shelf with part #2 and press together. Turn cam locks 1/2 turn with a phillipshead screwdriver. This will lock them together. Repeat this step for the bottom shelf.



2. Align part #3. Insert dowels (C), and cam bolts (B) like the drawing shows. Insert cam locks (A) into shelf #4 & #5. Align shelf with part #3 and press together. Turn cam locks 1/2 turn with a phillipshead screwdriver. This will lock them together.



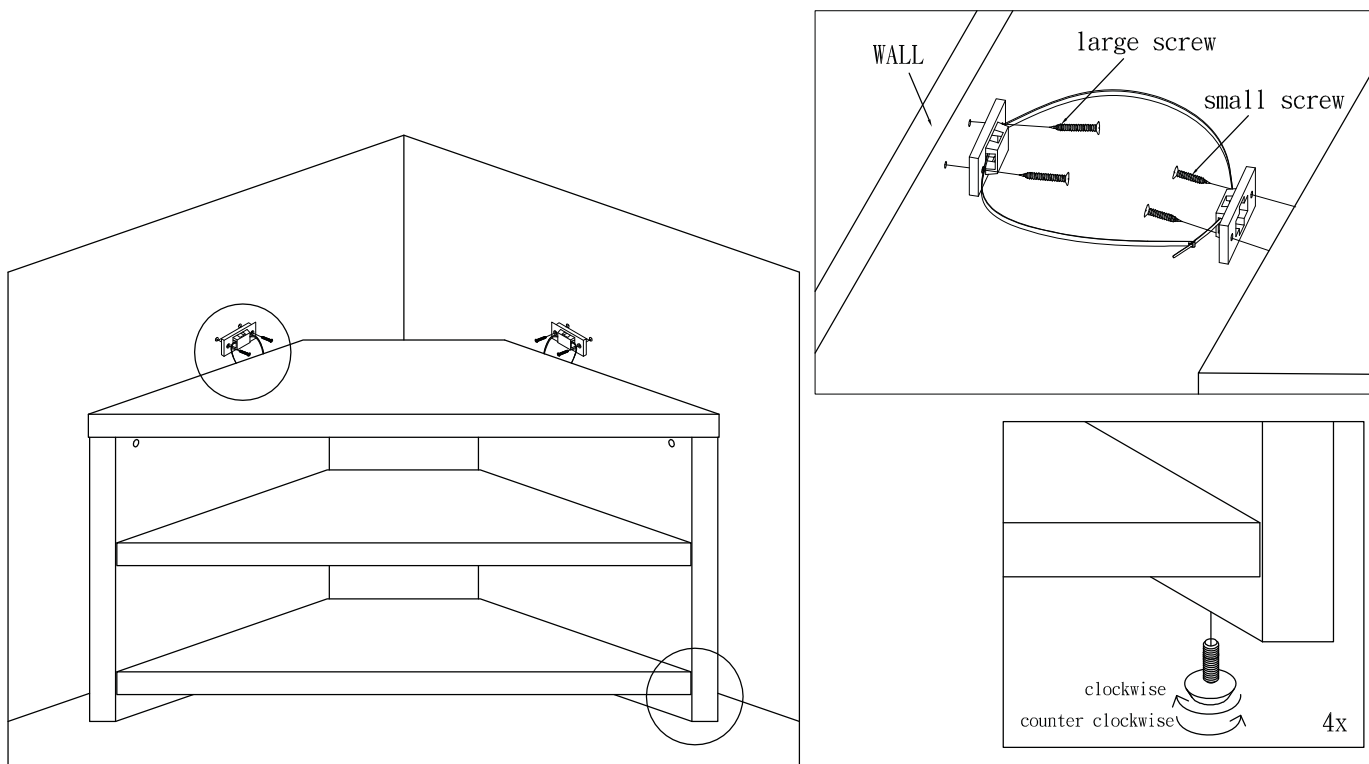
3. Flip assembled base upright. Insert cam bolt (B) and dowel (C) into top panel #1. Align top panel #1 over assembled base. Insert cam lock (A) into side panels #2 and #3. Press top panel down onto sides. Tighten cam locks 1/2 turn with phillips head screwdriver.



NOTICE: To prevent injury and property damage from unexpected tipping of furniture, we highly recommend installation of the anti-tip kit included with this product.

Attaching furniture to wall with anti-tip kits.

1. Determine where the piece is to be placed and mark location on the wall for the mounting bracket screw holes. They should be placed approximately 1" below the top on the back of the piece of furniture.
2. Attach the mounting bracket vertically to the wall by inserting the long screws provided through the holes in the bracket and tightening securely using screwdriver. Screws must penetrate wall studs for proper installation.
3. Next using the short screws attach the 2nd bracket to the back of the piece of furniture's top.
4. Lace the nylon strap down through the brackets. Slide the thin end of the strap through the receiving end of the nylon strap. Pull to tighten the piece of furniture snug against wall.



CARE INSTRUCTIONS

Hardware may loosen overtime. Periodically check that all connections are tight.

Wipe with a soft, dry cloth. To protect finish, avoid the use of chemicals and household cleaners.