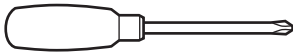


! Tools required:

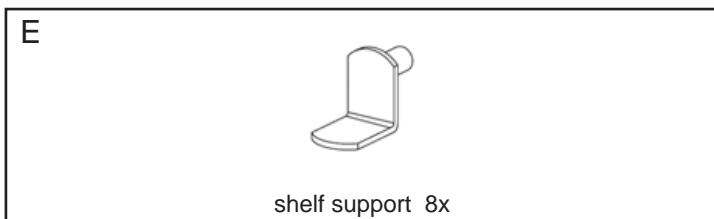
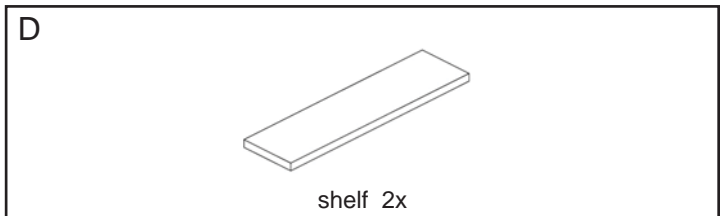
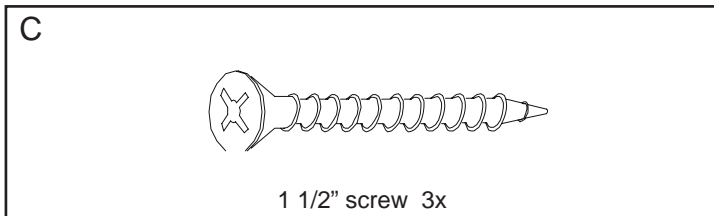
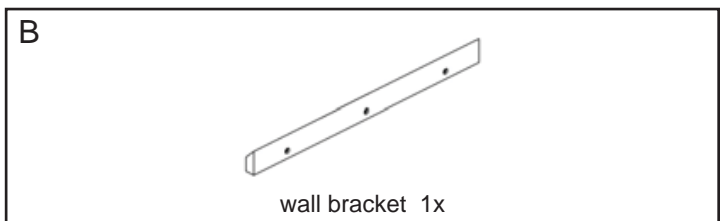
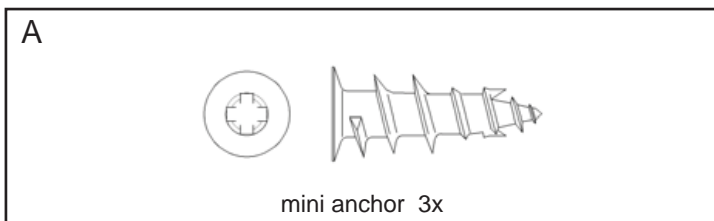


! Do not throw away packaging materials until assembly is complete.

! Assemble this item on a soft surface, such as cardboard or carpet, to protect finish.

! Proper assembly of this item requires 2 people.

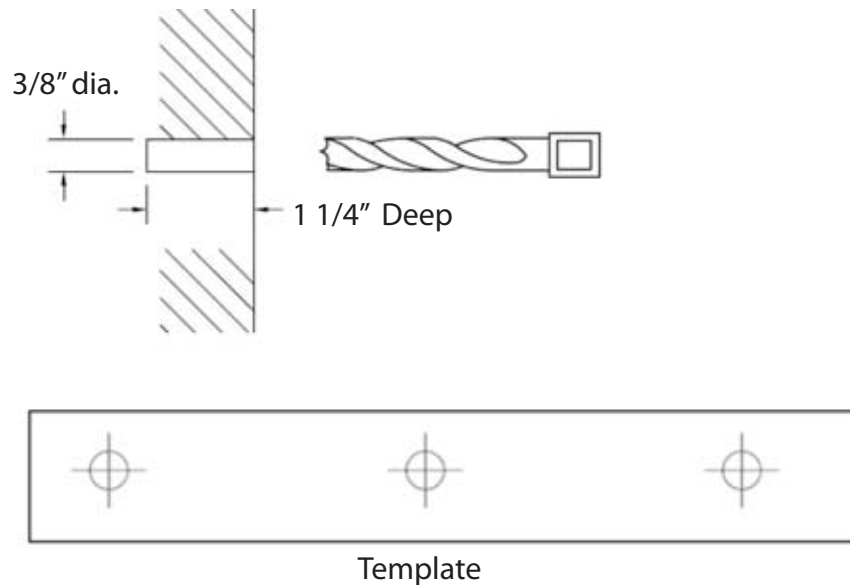
## Hardware



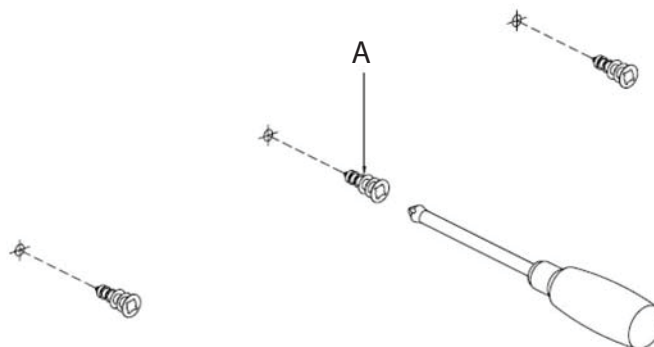
NOTE: Stud mounting is recommended. Use proper hardware for your wall type (such as anchors for drywall)  
When in doubt, consult your local hardware store. For your safety, installation should be done by 2 people.

1. To install mini anchor (A), mark the location of the cabinet on the wall and using the paper hanging template mark the 3 holes. Using a hand drill (Not included), drill a 3/8" dia hole.

Note: Stud mounting is recommended!

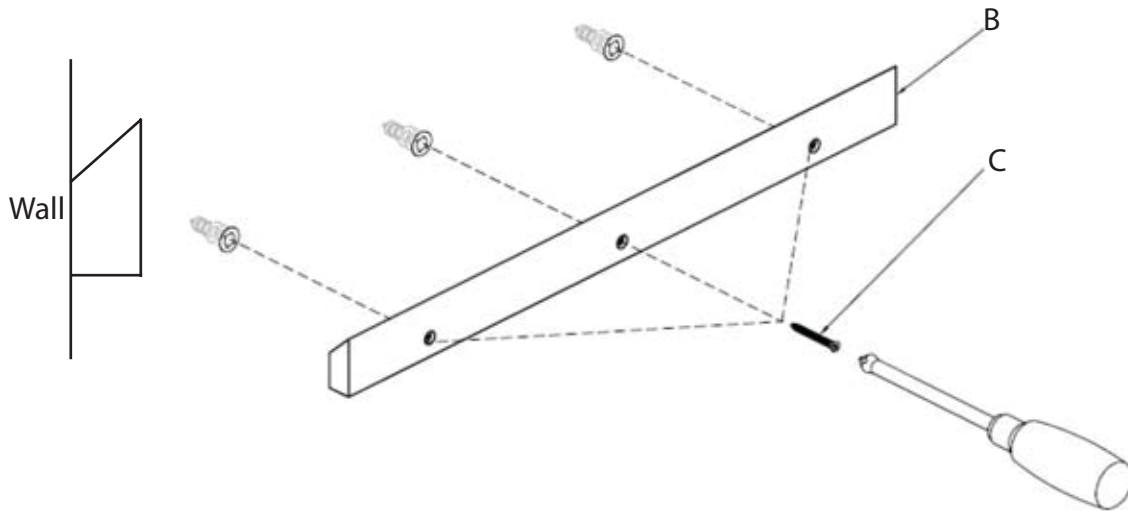


2. Install the mini wall anchor (A) into the 3 holes you drilled in the wall. Screw mini wall anchors in with a screwdriver.

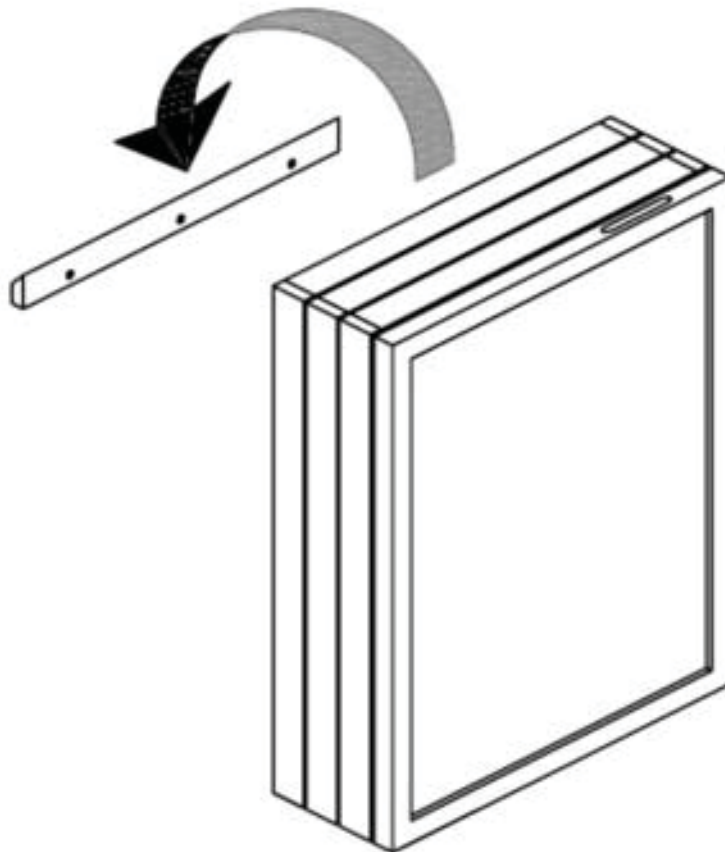


3. To install the wall bracket (B), align the holes in the wall bracket (B) with the mini anchors (A) that you installed in step 2. Insert a screw (C) into each of the 3 holes and tighten with screwdriver.

NOTE: Make sure that the wall bracket (B) is mounted like the drawing shows!

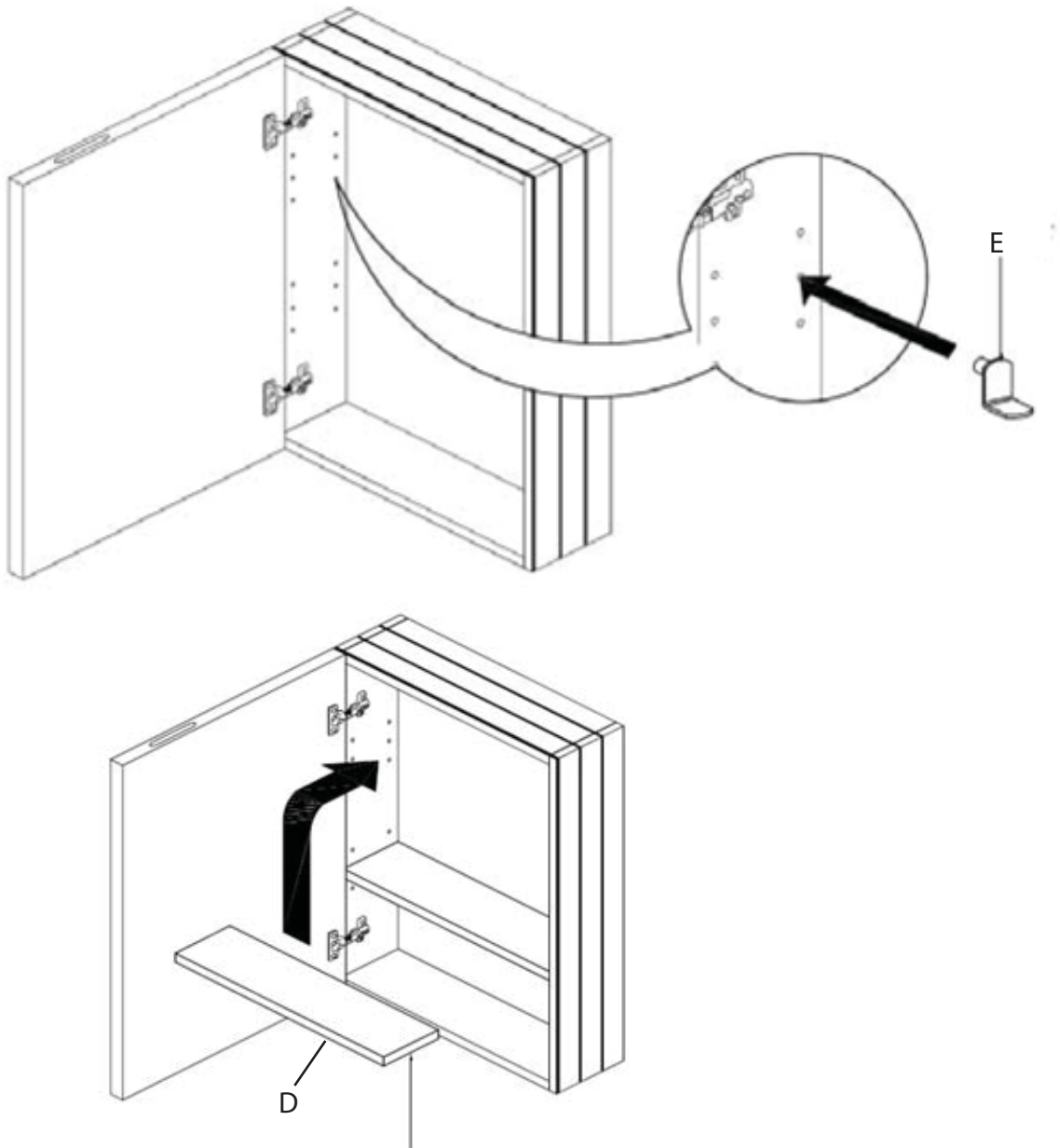


4. Hang medicine cabinet onto wall bracket (B) by holding the cabinet above the wall bracket (B) and sliding it down over the wall bracket until it securely hangs on the wall.



5. Insert 4 shelf supports (E) for each of the 2 shelves in the desired locations.

NOTE: Make sure that all 4 shelf supports (E) are level with each other.



#### CARE INSTRUCTIONS

Hardware may loosen overtime. Periodically check that all connections are tight.

Wipe with a soft, dry cloth. To protect finish, avoid the use of chemicals and household cleaners.