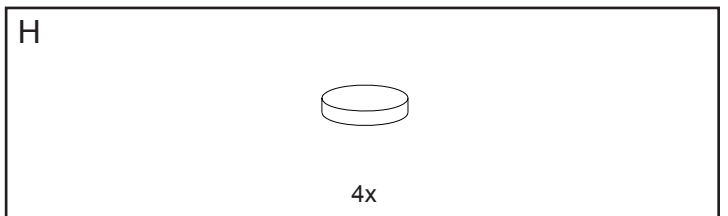
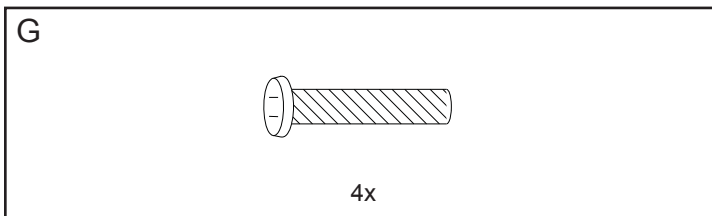
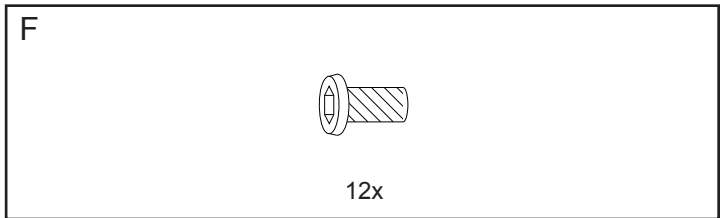
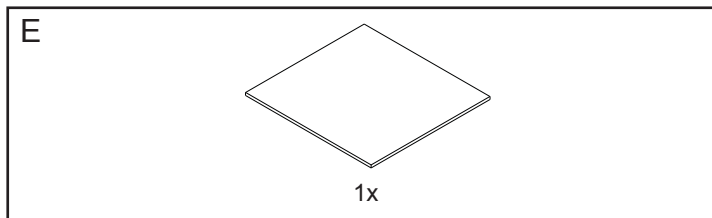
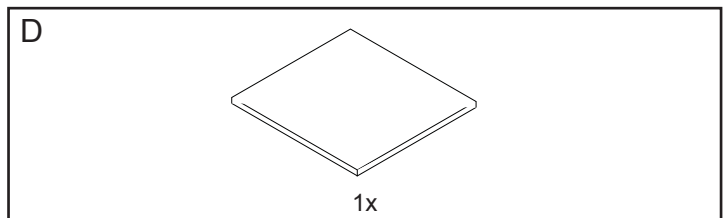
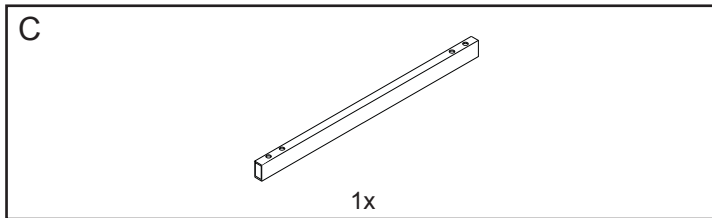
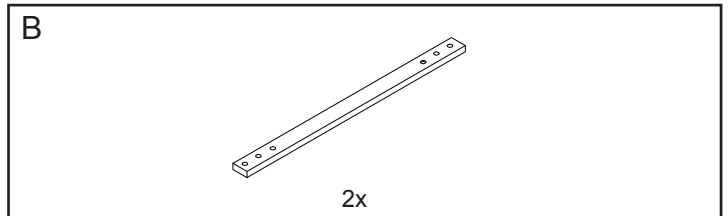
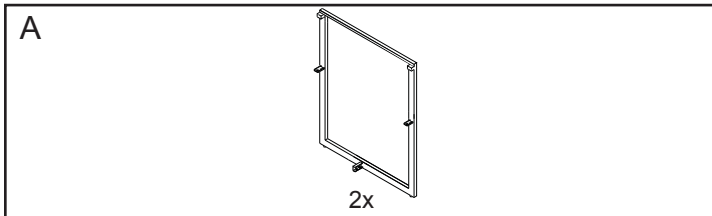


! Do not throw away packaging materials until assembly is complete.

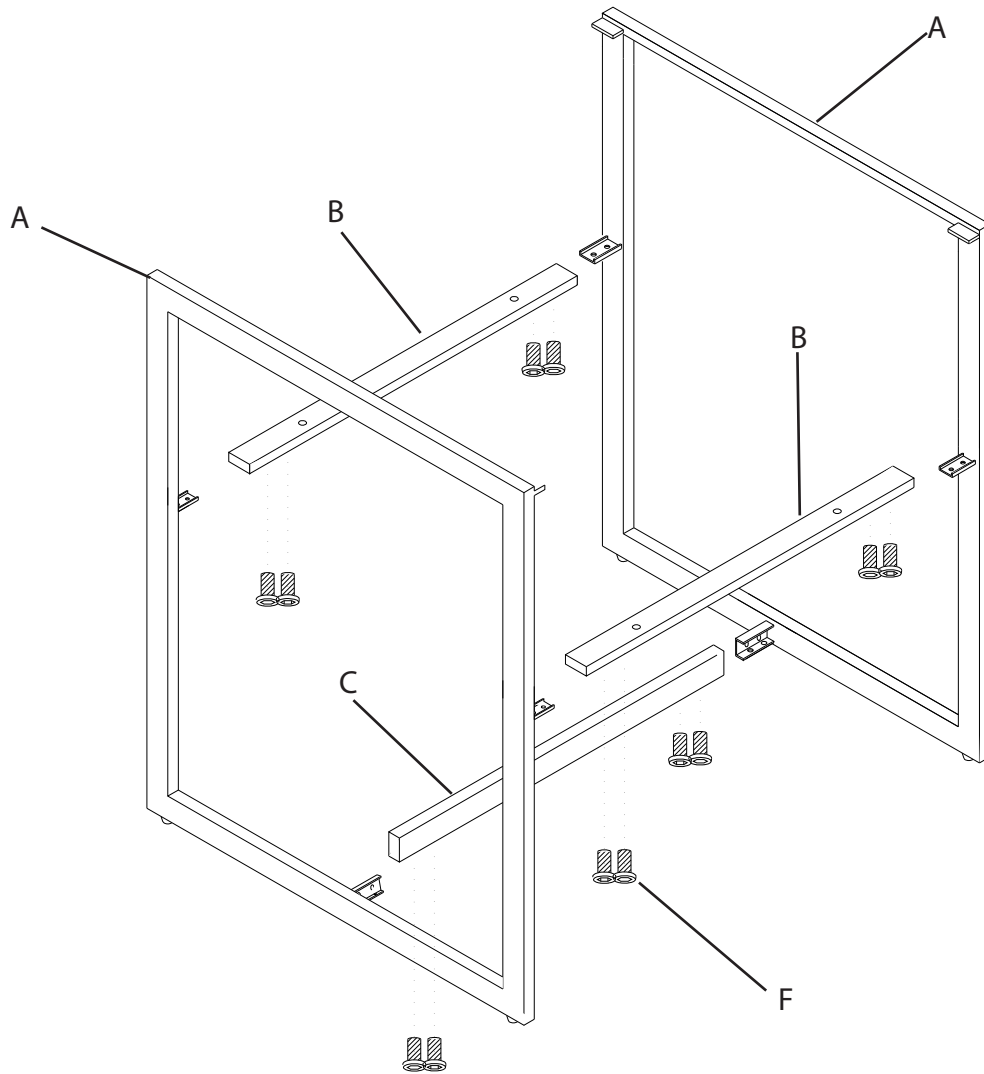
! Assemble this item on a soft surface, such as cardboard or carpet, to protect finish.

! Proper assembly of this item requires 2 people.

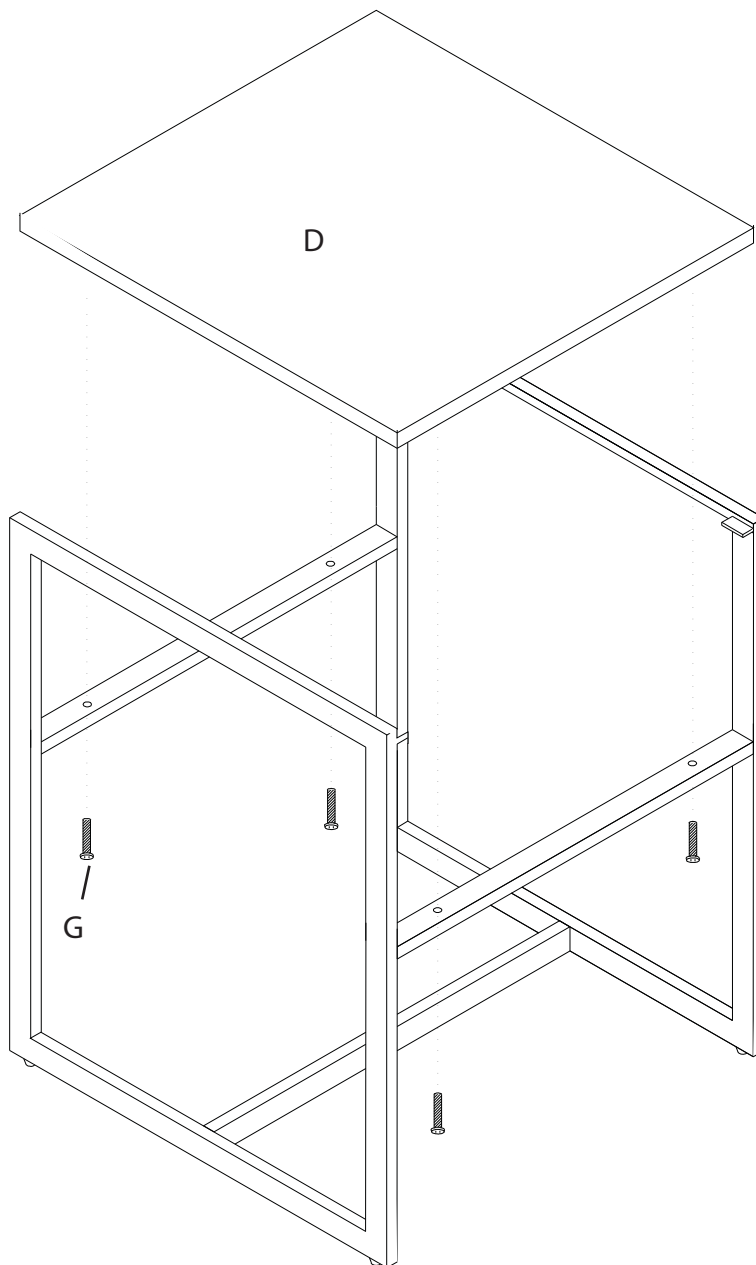
Parts



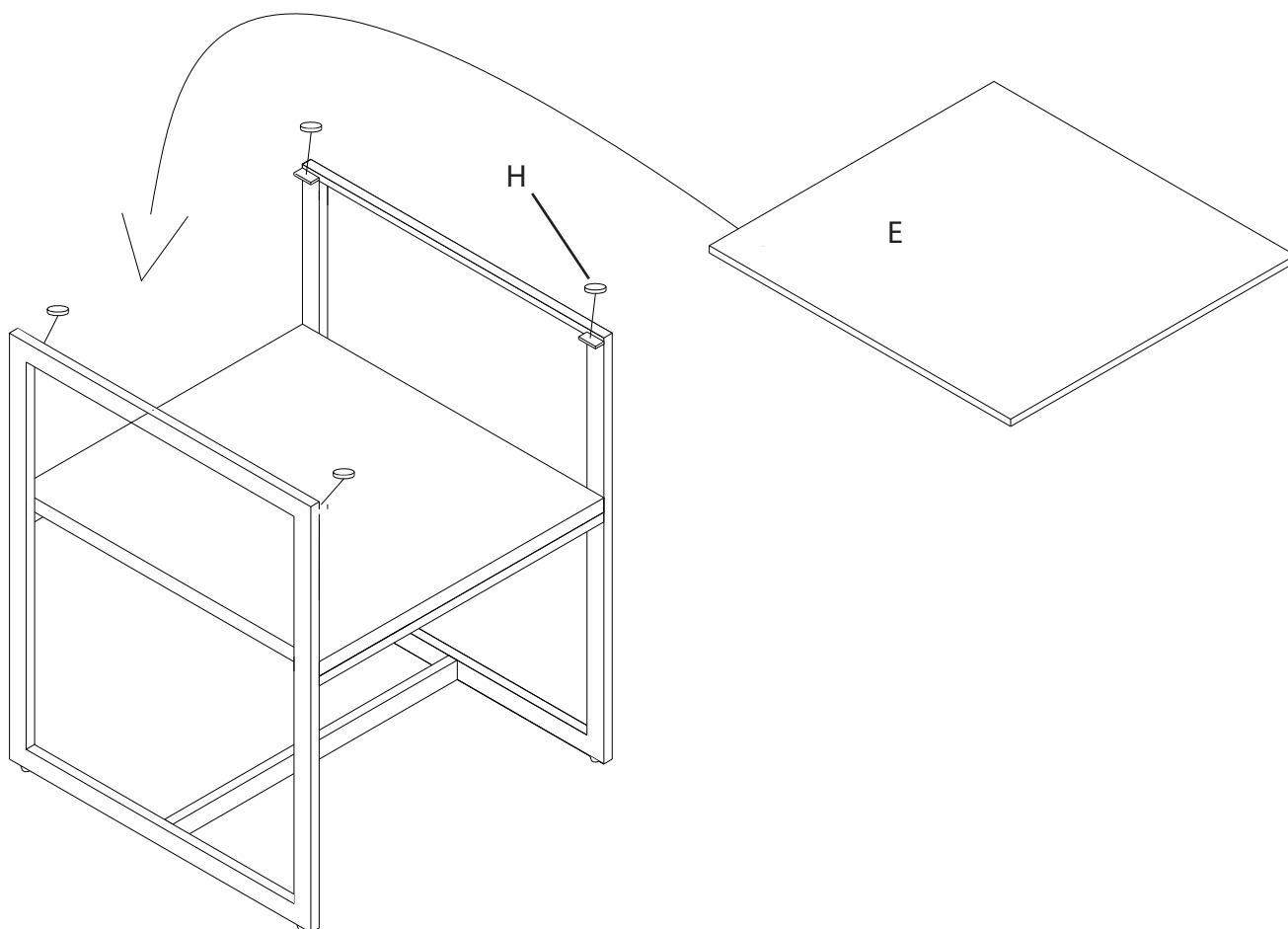
1. Align frame (A) with bottom rail (C) and mid rails (B). Insert bolt (F) into holes in bottom of rails. Tighten with supplied hex key. Align rails with the other end frame (A) on the other end and insert bolt (F). Tighten with supplied hex key.



2. Align shelf (D) with the mid rails. Insert bolt (G) thru the bottom of the rails. Tighten with supplied hex key.



3. Apply the pads (H) to the tabs on the top of the frames (A). Align top (E) and gently place onto pads (H)



CARE INSTRUCTIONS

Hardware may loosen overtime. Periodically check that all connections are tight.
Wipe with a soft, dry cloth. To protect finish, avoid the use of chemicals and household cleaners.