

Important Safety Instructions:

- These instructions are provided for your safety. It is very important that they are read carefully and completely before beginning the assembly and installation of this lighting fixture.
- The external flexible cable or cord of this luminaire cannot be replaced, If the flexible cable or cord is damaged, the luminaire shall be destroyed.
- LED BULBS ARE NON-REPLACEABLE.
- This lamp is meant for indoor use.
- Save these instructions.

WARNING:

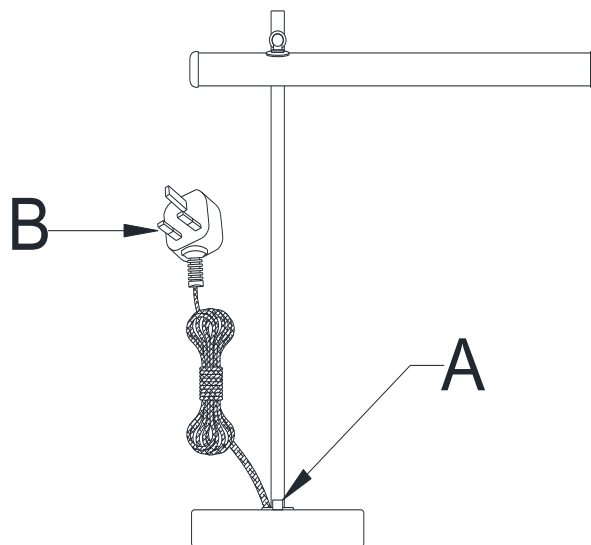
- Do not touch LED when fixture is turned on. Do not look directly at lit LED.
- Keep flammable materials away from lit LED.
- Do not attempt to disassemble, repair or refit the product.

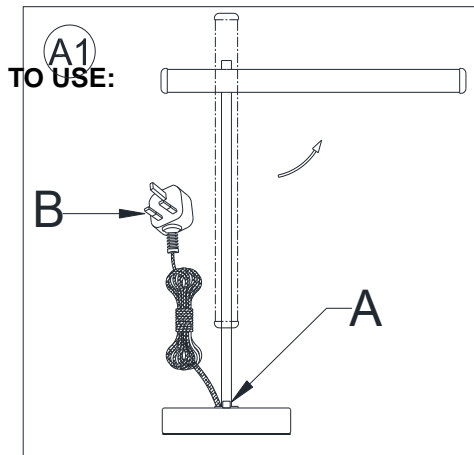
Pre-assembly:

- Remove all parts and hardware from box along with any plastic protective packaging.
- Do not discard any contents until after assembly is complete to avoid accidentally discarding small parts or hardware.

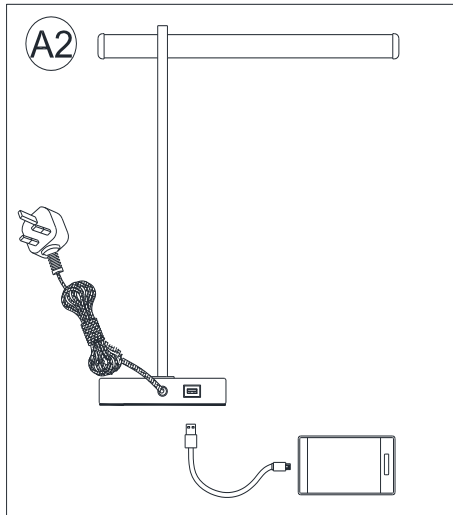
Parts Included:

- (A) Switch (1)
- (B) Plug (1)





1. Gently rotate the light rod to horizontal position as shown. Insert the Plug (B) into a proper socket. Rotate the Switch (A) to turn on and adjust the brightness of the light.



There is one USB Port on the fixture base, which can be used for charging USB devices (USB charging cable is not included). The output maximum is 5V/2A. Do not overcharge.

Care Instructions:

- Wipe clean with a soft, dry cloth or static duster.
- Always avoid the use of harsh chemicals or abrasive cleaners as they may cause damage to the fixture's finishing.

Thank you for your purchase
Stores | catalog | www.westelm.com