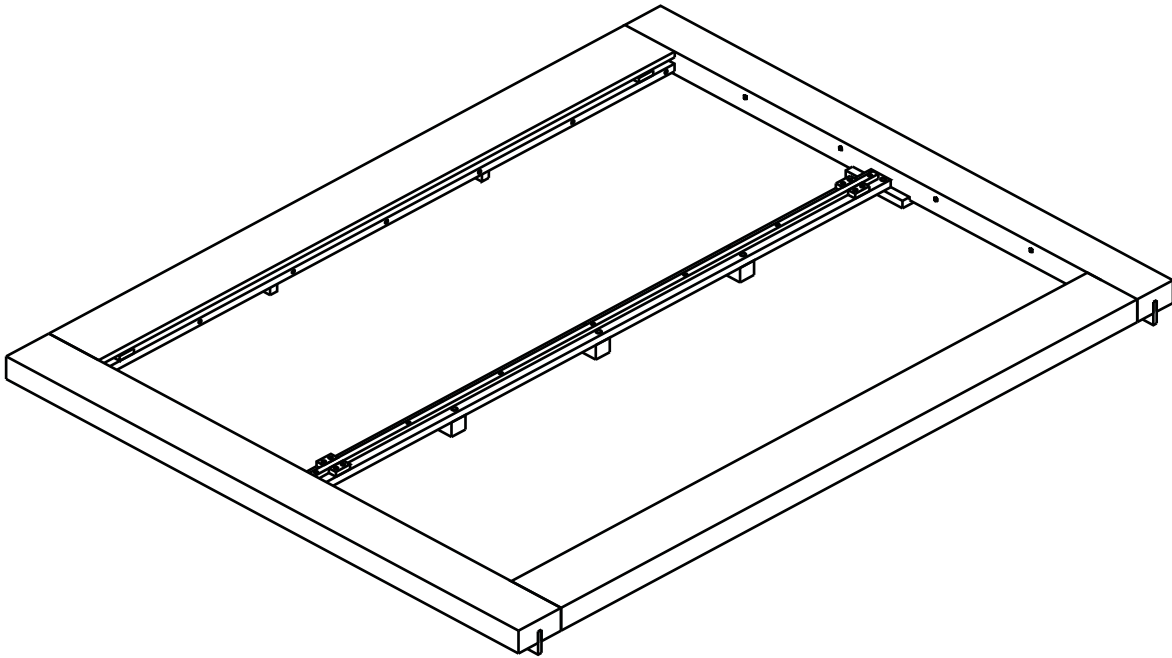


Note: These bedframe instructions are for all sizes except twin!



! Tools supplied:

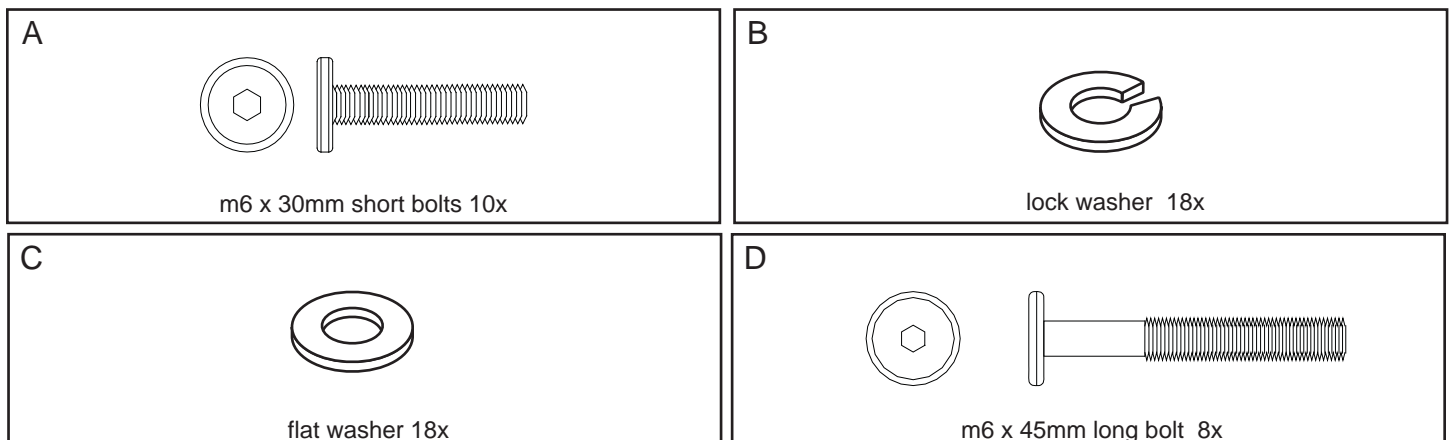


! Do not throw away packaging materials until assembly is complete.

! Assemble this item on a soft surface, such as cardboard or carpet, to protect finish.

! Proper assembly of this item requires 2 people.

## Hardware

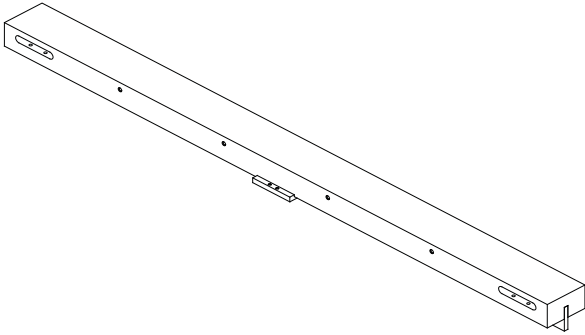


west elm

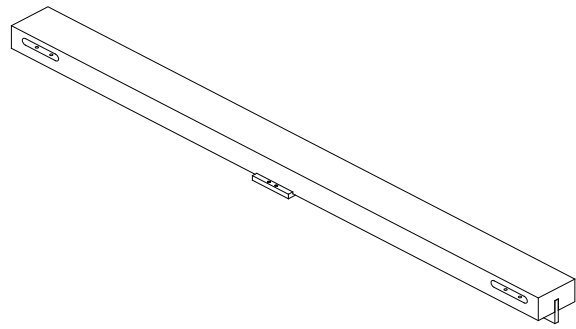
# terra platform bedframe

assembly instructions

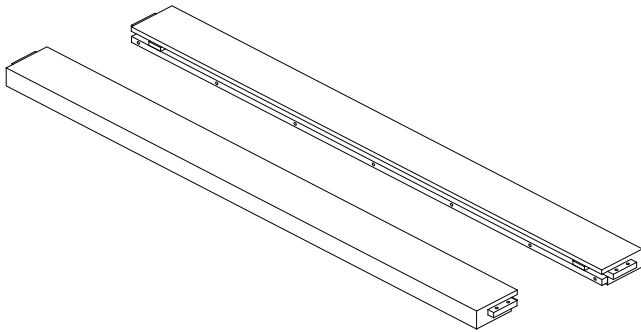
headboard 1x



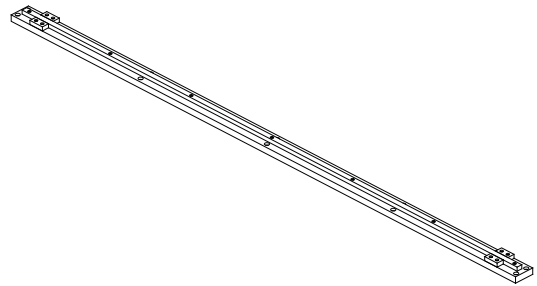
footboard 1x



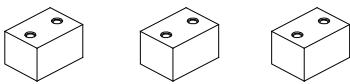
side Rails 2x



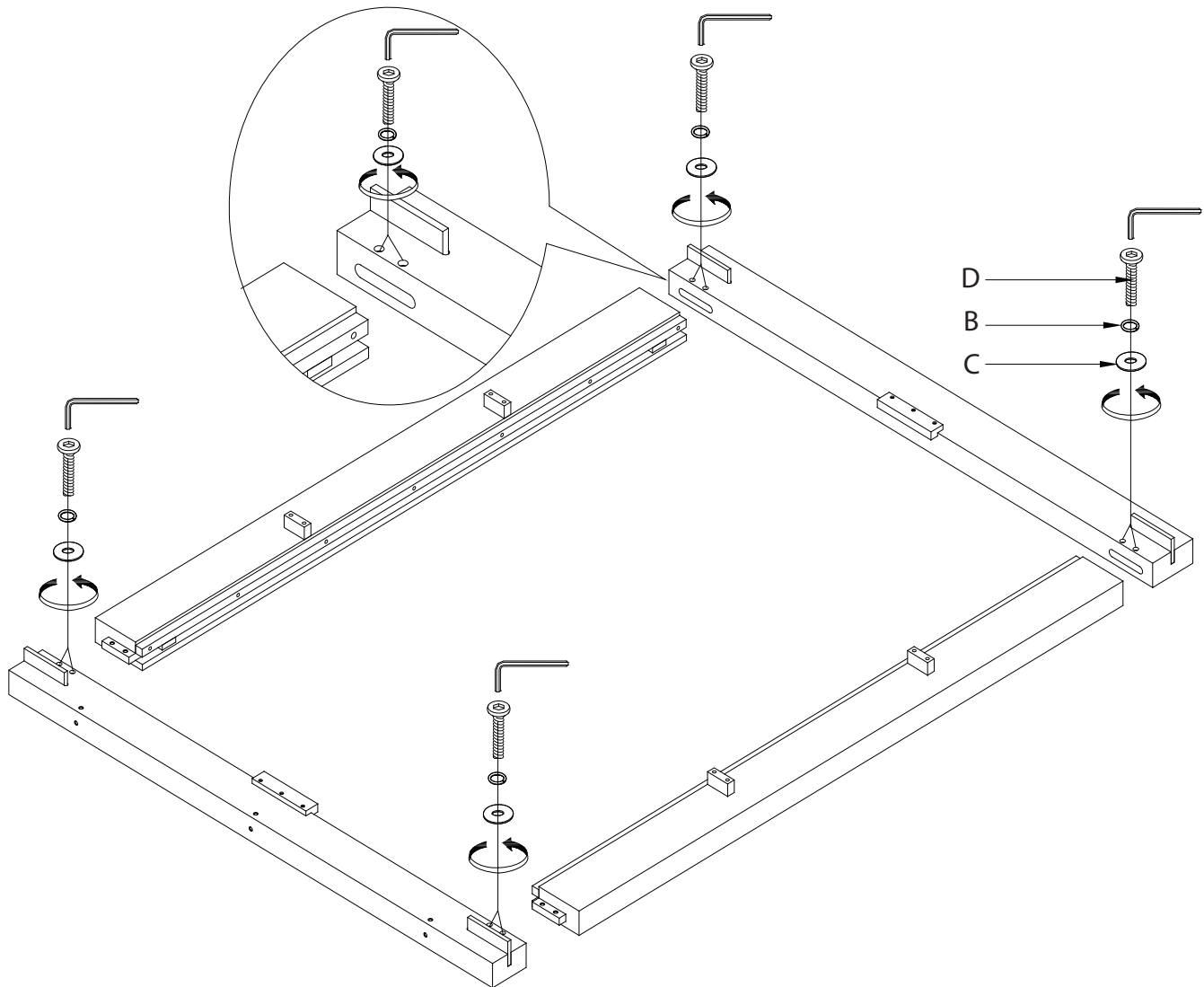
support rail 1x



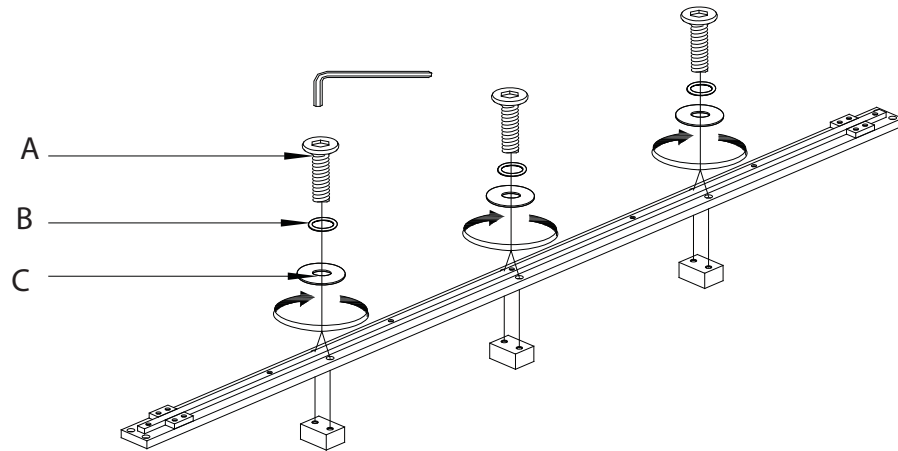
foot blocks 3x



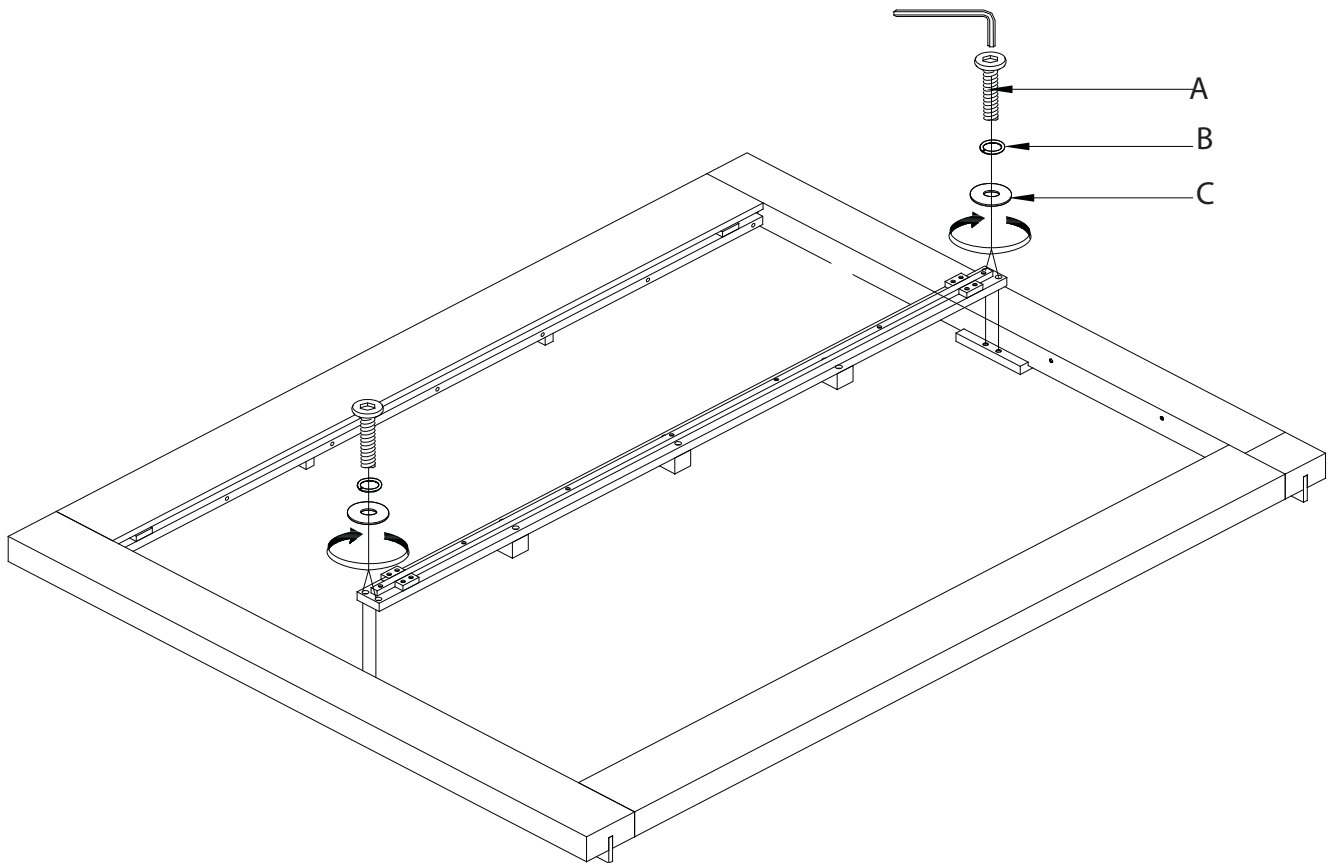
1. Assemble all parts upside down on a clean, smooth surface. Align and insert the tenon on the end of the side rails into the cutouts in the side of the headboard and footboard like the drawing shows. Insert long bolt (D), lock washer (B), and flat washer (C) thru the holes shown in the drawing. Tighten with supplied hex key. Do Not Overtighten! With help turn assembled bedframe over.



2. Attach the foot blocks to the support rail and secure with short bolts (A), lock washer (B), and flat washer (C). Tighten with supplied hex key.



3. Place the assembled support rail onto the cleats located on the side of the headboard and footboard. Insert bolt (A), lock washer (B), and flat washer (C). Tighten with supplied hex key.



#### CARE INSTRUCTIONS

Hardware may loosen overtime. Periodically check that all connections are tight.

Wipe with a soft, dry cloth. To protect finish, avoid the use of chemicals and household cleaners.

Upholstery: Spot clean only.