






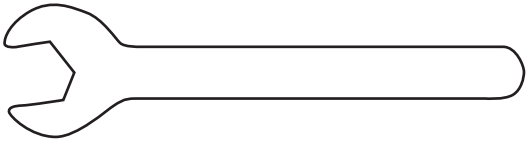
! Tools required: 

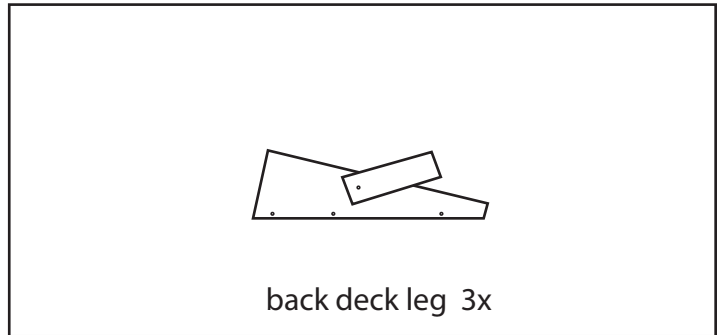
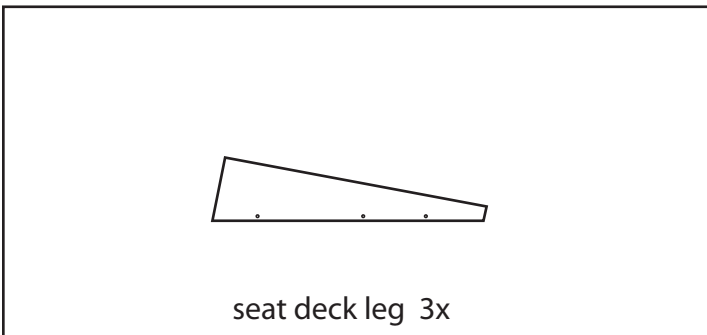
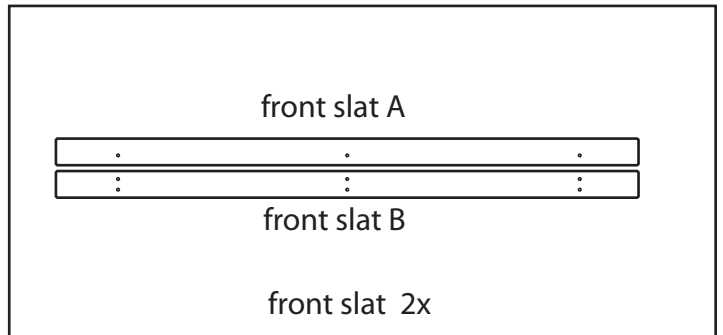
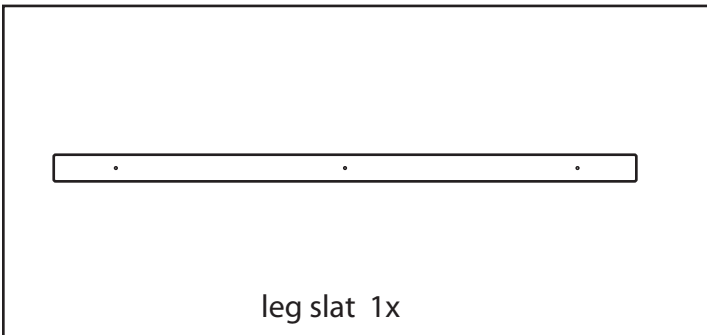
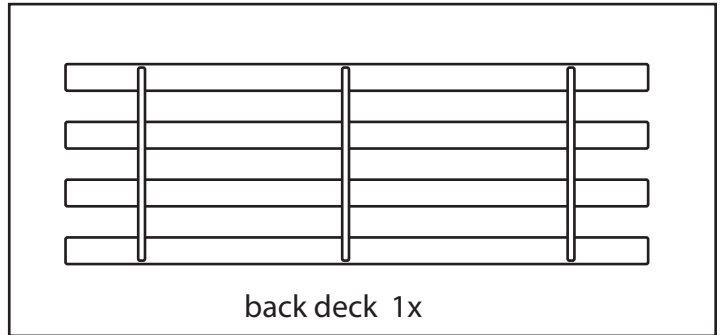
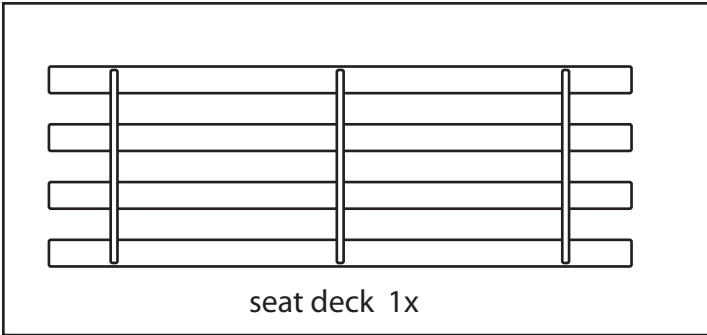
! Do not throw away packaging materials until assembly is complete.

! Assemble this item on a soft surface, such as cardboard or carpet, to protect finish.

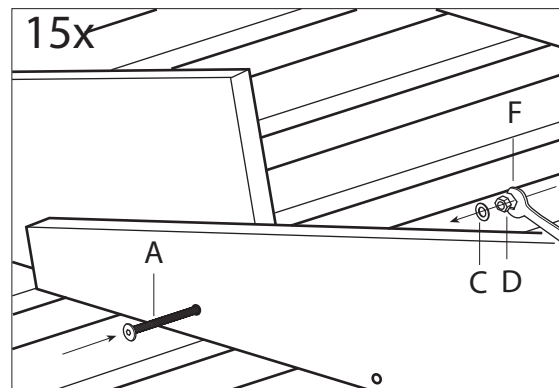
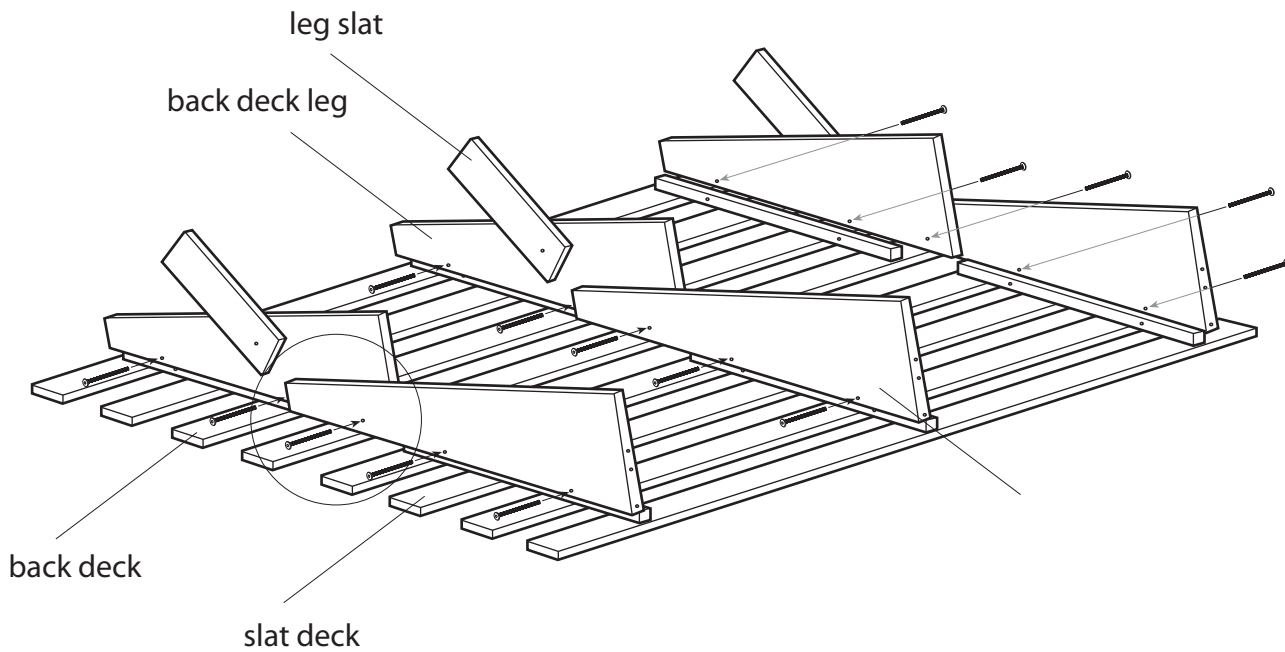
! Proper assembly of this item requires 2 people.

## Parts

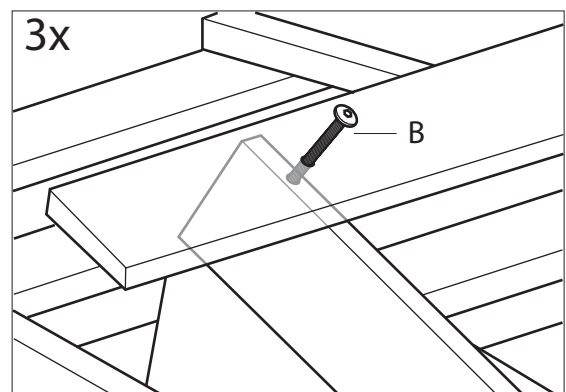
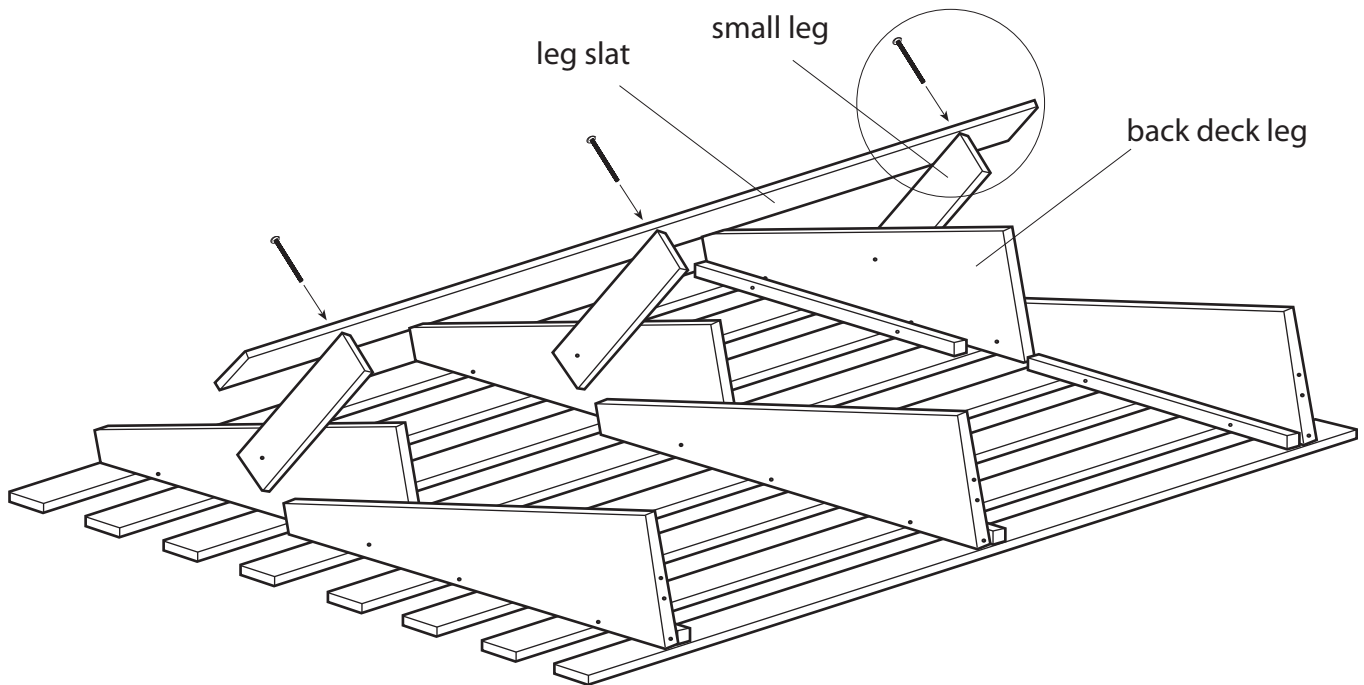
<p>A</p>  <p>7/16" x 2 3/8" 15x</p>	<p>B</p>  <p>7/16" x 1 1/2" 12x</p>
<p>C</p>  <p>15x</p>	<p>D</p>  <p>15x</p>
<p>E</p>  <p>1x</p>	<p>F</p>  <p>1x</p>



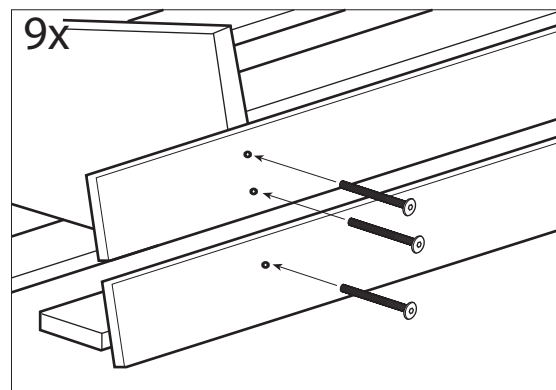
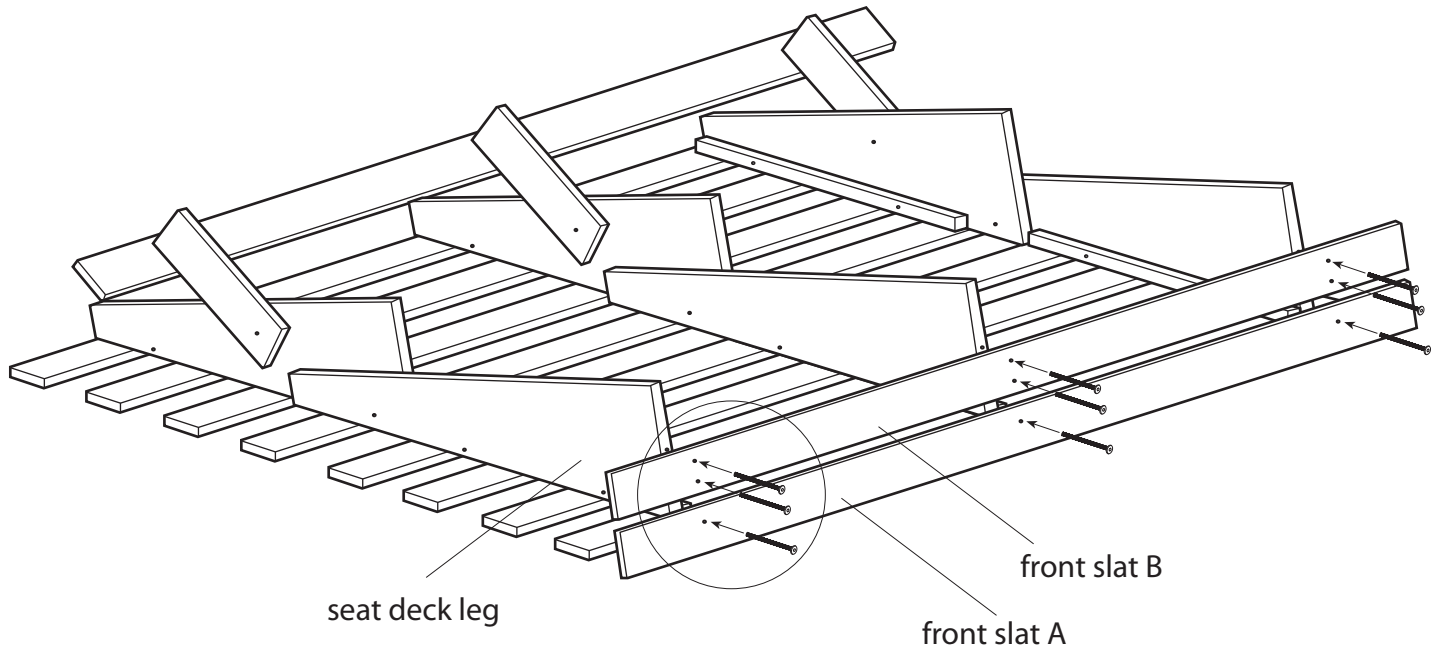
1. Lay the back deck and the seat deck on a clean smooth surface such as carpet or cardboard. Stickers on the seat deck and the back deck indicate where each leg should be attached. Simply match the leg sticker with the identical deck sticker to assemble the legs. Insert bolt (A), washer (C), and nut (D). Tighten with wrench (F).

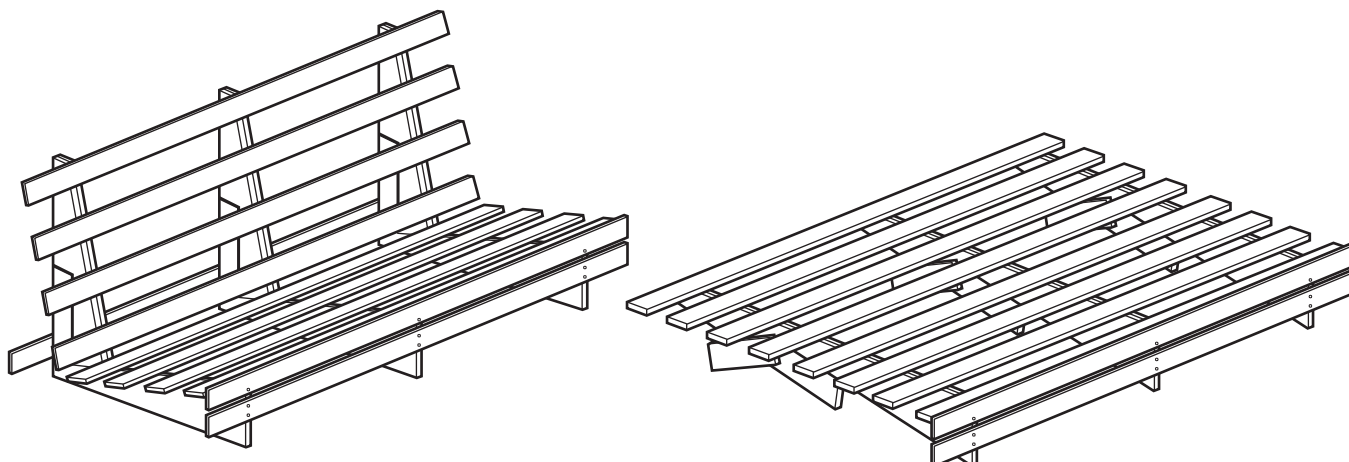


2. Align leg slat to the small leg on back deck leg. Insert bolt (B). Tighten with supplied hex key (E).



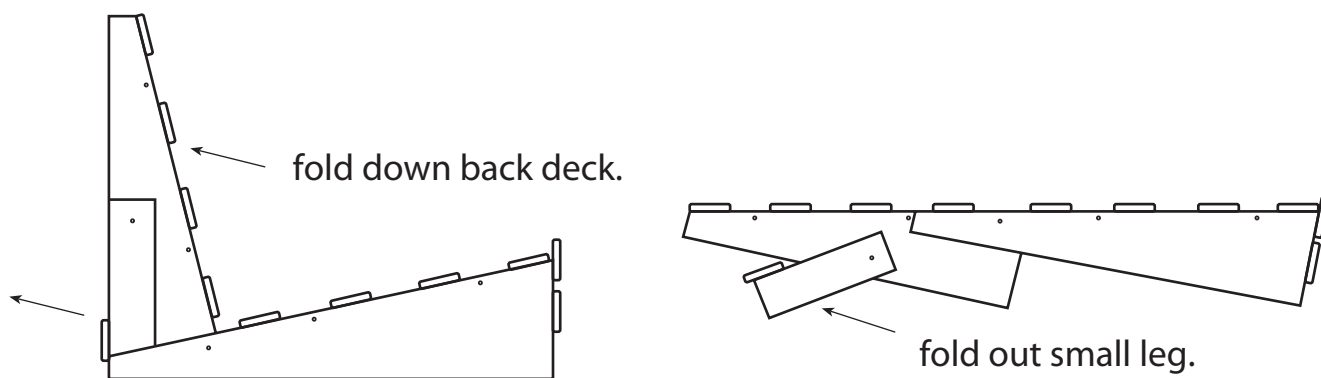
3. Align front slat A and front slat B to the seat deck. Insert Bolt (B), tighten with supplied hex key (E)





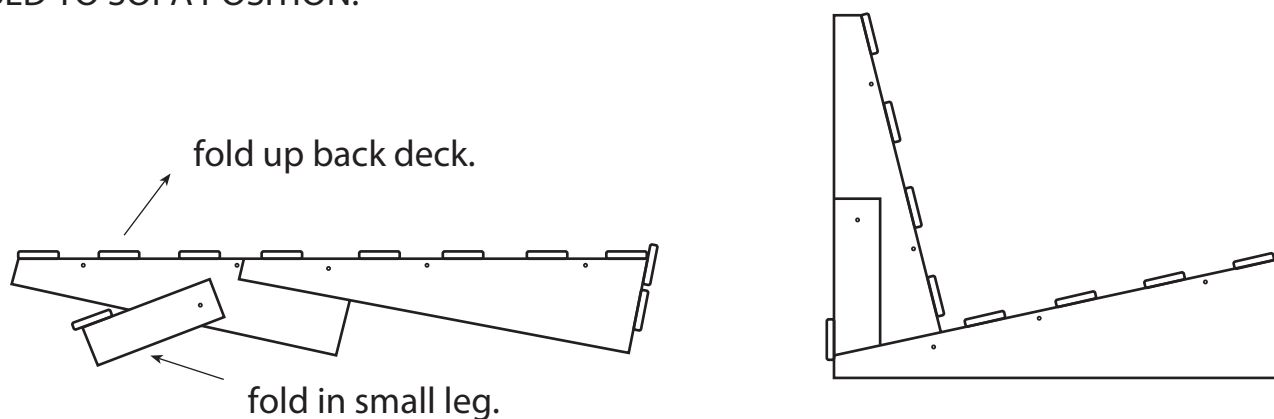
---

### SOFA TO BED POSITION:



---

### BED TO SOFA POSITION:



### CARE INSTRUCTIONS

Hardware may loosen overtime. Periodically check that all connections are tight.

Wipe with a soft, dry cloth. To protect finish, avoid the use of chemicals and household cleaners.