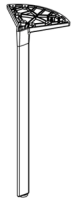
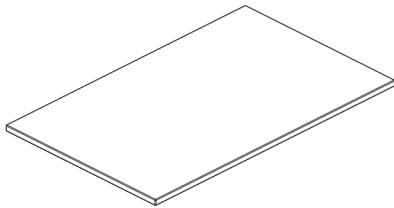


Wake Static Table Assembly Instructions

Component List



Legs [x4]



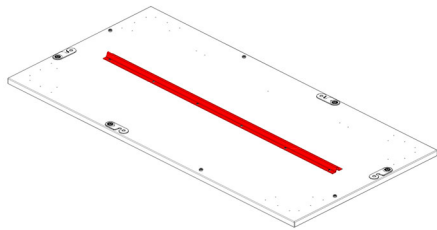
Worksurface [x1]



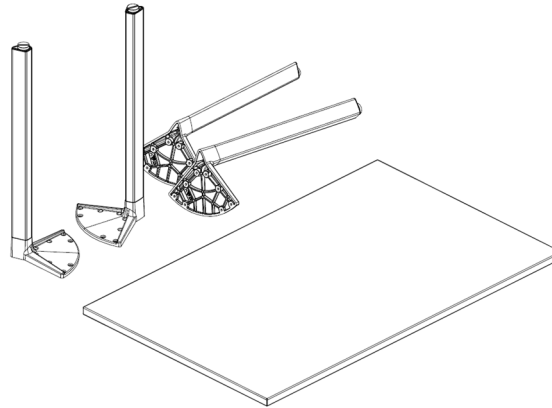
#12 x 1" Pan Head [x32]

Note:

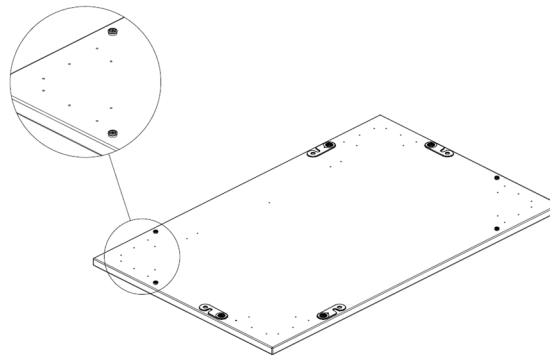
Only 60" and 72" Worksurface will come with a pre-installed V-Brace.



Step 1: Remove Legs and Worksurface from shipping carton.



Step 2: Flip the Worksurface over onto its face with pilot holes facing upwards.



Step 3: Place Leg assembly onto the Worksurface. Align holes on mounting plates with pre-drilled pilot holes on bottom side of Worksurface.

Fasten each mounting plate to Worksurface using #12 x 1" Pan Head. Finished.

