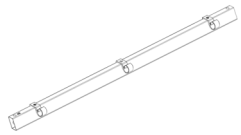


# Equals Table Assembly Instructions

## Component List



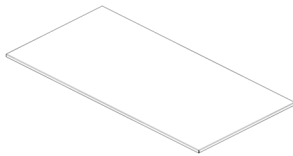
Side rail [x2]



End rail [x2]



Leg [x4]

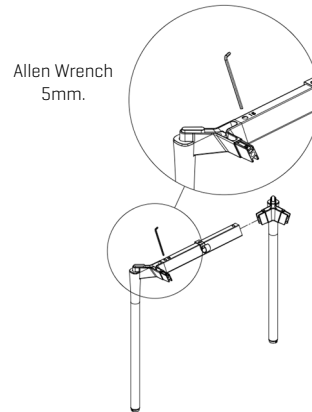


Worksurface [x1]

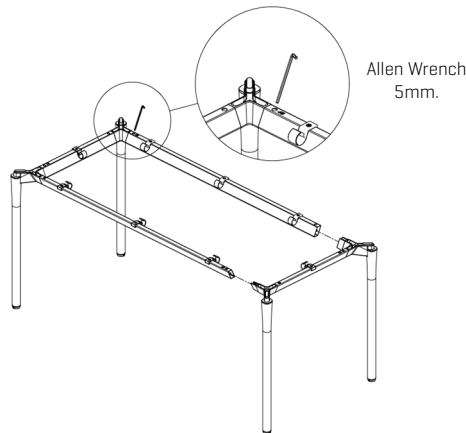


Allen Wrench 5mm [x1]

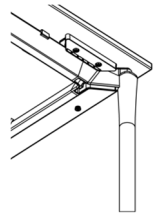
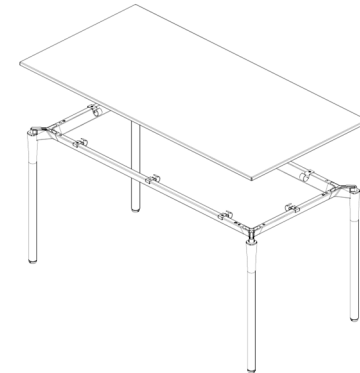
**Step 1:** Assemble legs to both sides of the End rail then tighten the set screws using enclosed Allen Wrench. [2 Sets]



**Step 2:** Assemble Side rails [x2] to both leg assemblies then tighten the set screws using enclosed Allen Wrench.

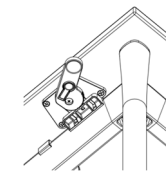


**Step 3:** Attach Worksurface by aligning Wedge Block under the Worksurface to hang over the back frame rail.

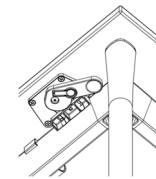


Hang over the back frame rail

**Step 4:** Push the Locking Handles until they are parallel to the rail [2-3 clicks].



Unlock position



Lock position