

### Important Safety Instructions:

- These instructions are provided for your safety. It is very important that they are read carefully and completely before beginning the assembly and installation of this lighting fixture.
- This portable luminaire has a polarized plug (one blade is wider than the other) as a safety feature to reduce the risk of electric shock. This plug will fit in a polarized outlet only one way. If the plug does not fit fully in the outlet, reverse the plug. If it still does not fit, contact a qualified electrician. Never use with an extension cord unless plug can be fully inserted. Do not alter the plug. Do not attempt to defeat this safety feature.
- This fixture has been rated for up to one (1) **60-watt maximum TYPE A standard incandescent light bulb** (not included) or one (1) **13-watt compact fluorescent light bulb** (not included) or one (1) **9-watt SBLED light bulb** (included). To avoid the risk of fire, do not exceed the recommended lamp wattage.
- Use with approved WEST ELM Shades only, having a minimum opening diameter of 3-1/2 inches and a minimum lamp-to-shade spacing of 2-1/2 inches.
- This lamp is meant for indoor use.
- **Save these instructions.**

### WARNING:

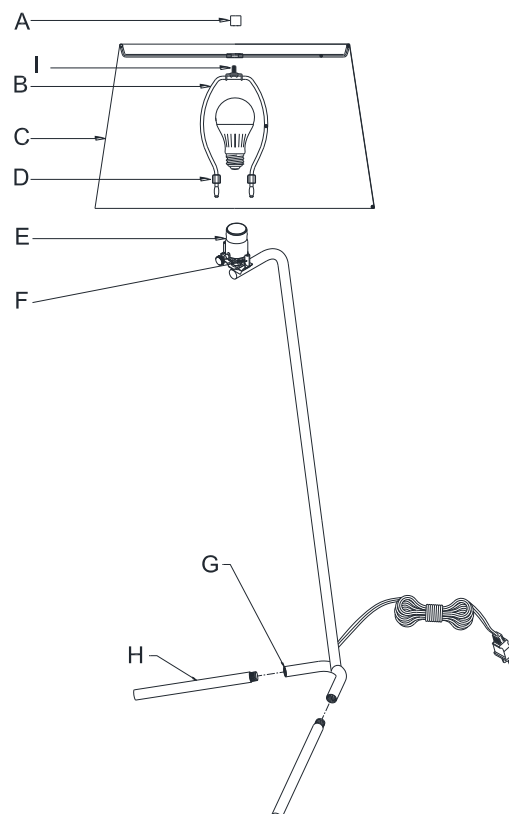
- **To reduce the risk of fire, electrical shock or personal injury, always turn off and unplug the light fixture and allow it to cool prior to replacing the light bulb.**
- **Do not touch bulb when fixture is turned on. Do not look directly at lit bulb.**
- **Keep flammable materials away from lit bulb.**

### Pre-assembly:

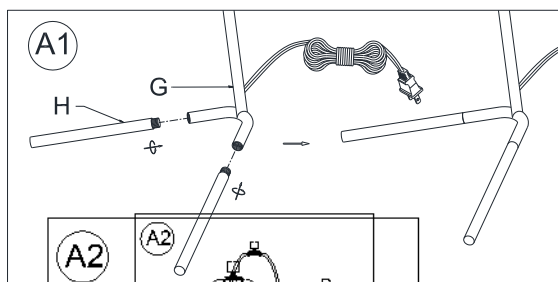
- Remove all parts and hardware from box along with any plastic protective packaging.
- Do not discard any contents until after assembly is complete to avoid accidentally discarding small parts or hardware.

### Parts Included:

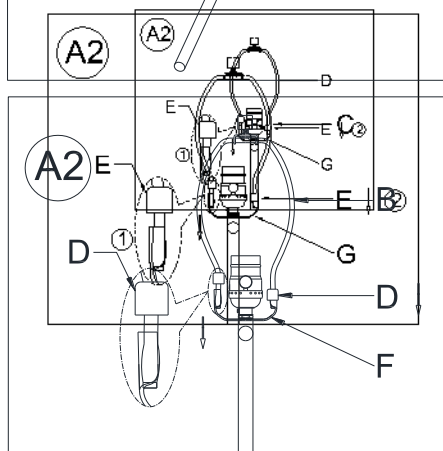
- (A) Finial (1)
- (B) Harp (1)
- (C) Shade (1) (Packed Separately)
- (D) Harp Caps (2)
- (E) Socket (1)
- (F) Saddle (1)
- (G) Joints (2)
- (H) Bottom Tubes (2)
- (I) Harp Top (1)



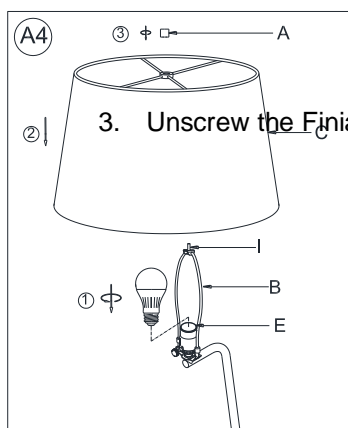
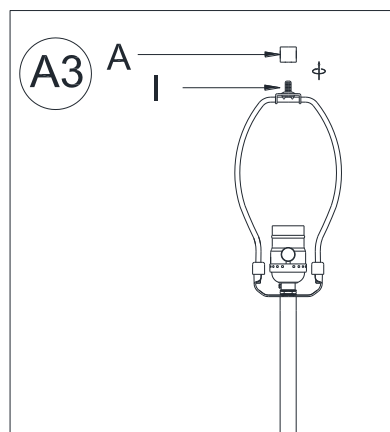
## To Assemble:



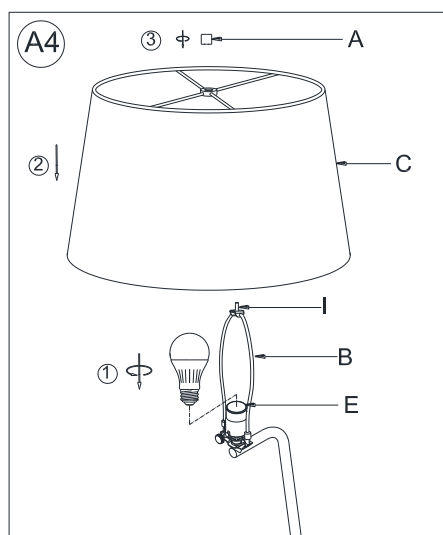
1. Attach the Bottom Tube (H) into Joints (G) by turning **each** Bottom Tube (H) clockwise **until tight**.



2. Raise the Harp Caps (D) and insert the bottom ends of Harp (B) into the Saddle (F). Lower the Harp Caps (D) until they cover the two-pronged Saddle (F).



3. Unscrew the Finial (A) from the Harp Top (I).



- 4.1 Insert the specified light bulb into the Socket (E). **DO NOT EXCEED THE SPECIFIED WATTAGE.**
- 4.2 Place the Shade (C) (Packed separately) over the Harp (B), making sure the Harp Top (I) extends through the hole at the top of the Shade (C).
- 4.3 Attach the Final (A) onto the Harp Top (I) and tighten to secure the Shade (C) in place.

## Care Instructions:

- Wipe clean with a soft, dry cloth or static duster.
- Always avoid the use of harsh chemicals or abrasive cleaners as they may cause damage to the fixture's finishing.

Thank you for your purchase  
Stores | catalog | [www.westelm.com](http://www.westelm.com)  
USA 888-922-4119

US/CN