




Tufted Bench

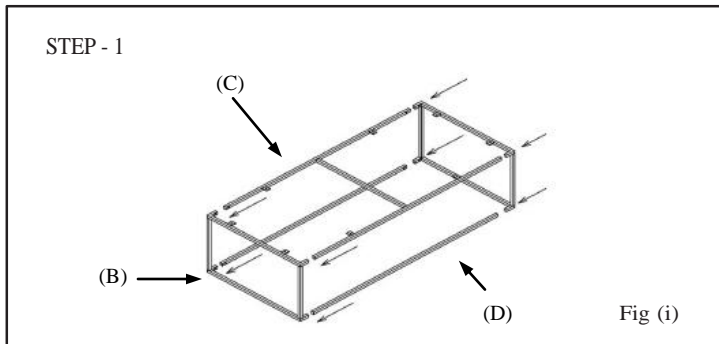
PRE-ASSEMBLY :

- . Please read all instructions carefully before beginning assembling.
- . Remove all parts and hardware from the box and lay out on a clean, carpeted or scratch-free work surface, as this will avoid damaging any parts during assembly. This shipping box provides an ideal work surface. Do not dispose of any contents until assembly is complete to avoid accidentally discarding small parts or hardware.
- . We recommend adult assembly by two people for your safety.

PARTS INCLUDED :

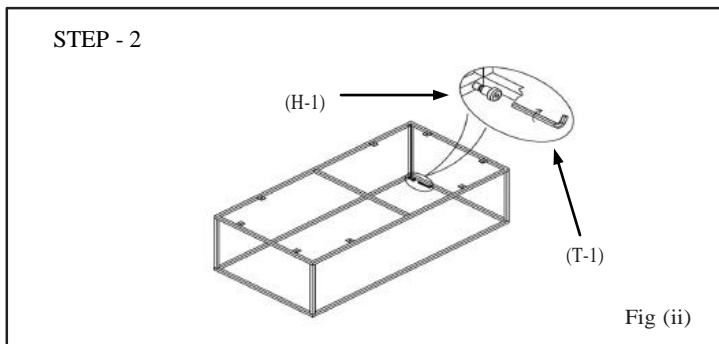
- | | |
|-------------------------------|---|
| (A) Table Top - 1 pc | (H-1) Bolt - 8 pcs  |
| (B) Side Frame Part - 2 pcs | (H-2) Screw - 8 pcs  |
| (C) Top Frame Part - 1 pc | (T-1) Wrench - 1 pc  |
| (D) Bottom Frame Pipe - 2 pcs | |

ASSEMBLY INSTRUCTIONS :



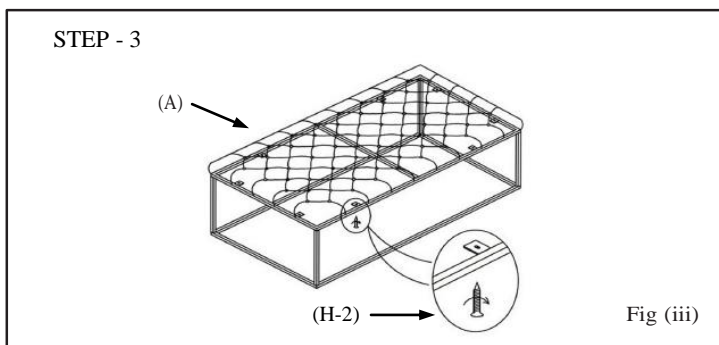
STEP - 1

- A. Assemble the Side Frame Part (B), Top Frame Part (C) and Bottom Frame Pipe (D), as shown in fig (i)



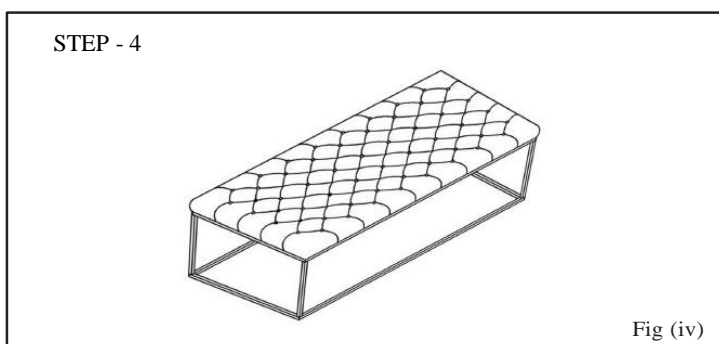
STEP - 2

- B. Use Wrench (T-1), install all eight Bolts (H-1) as shown in fig.(ii)



STEP - 3

- C. Put the Table Top (A) on the frames, install all eight Screws (H-2), as shown in Fig.(iii)



STEP - 4

- D. Turn the table upright, as shown in Fig.(iv), table is now ready to use.

CARE INSTRUCTIONS :

- . Dust often using a clean, soft, dry lint-free cloth.
- . Blot spills immediately, and wipe with a clean, damp, cloth.
- . We do not recommend the use of chemical cleansers, abrasives, or furniture polish on our lacquered finish.

Thank you for purchase
stores | catalog | www.westelm.com