

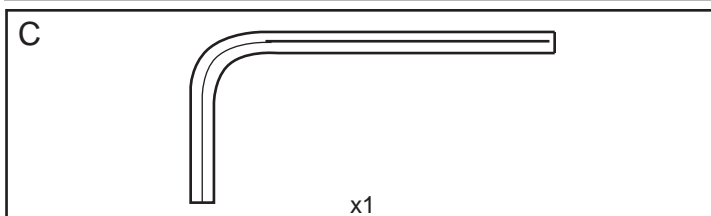
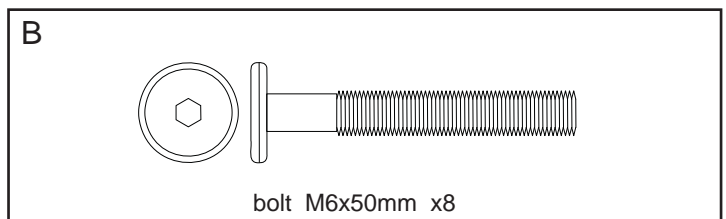
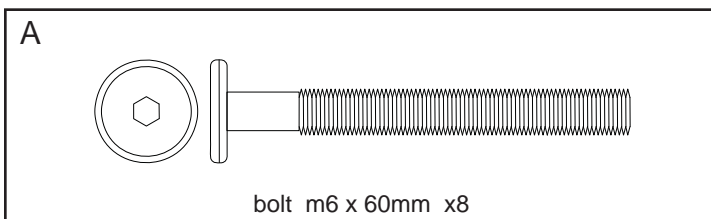
! Tools required: 

! Do not throw away packaging materials until assembly is complete.

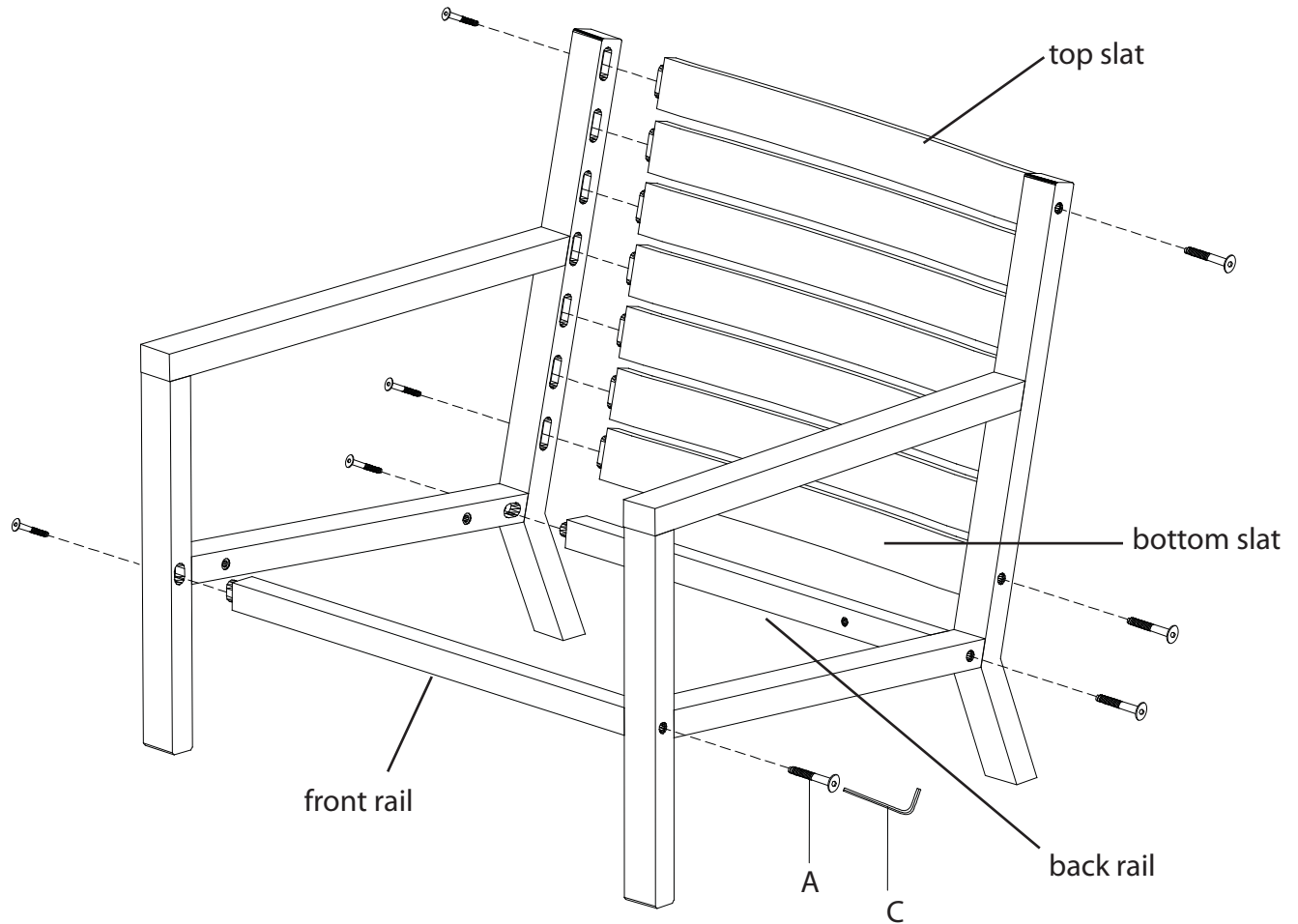
! Assemble this item on a soft surface, such as cardboard or carpet, to protect finish.

! Proper assembly of this item requires 2 people.

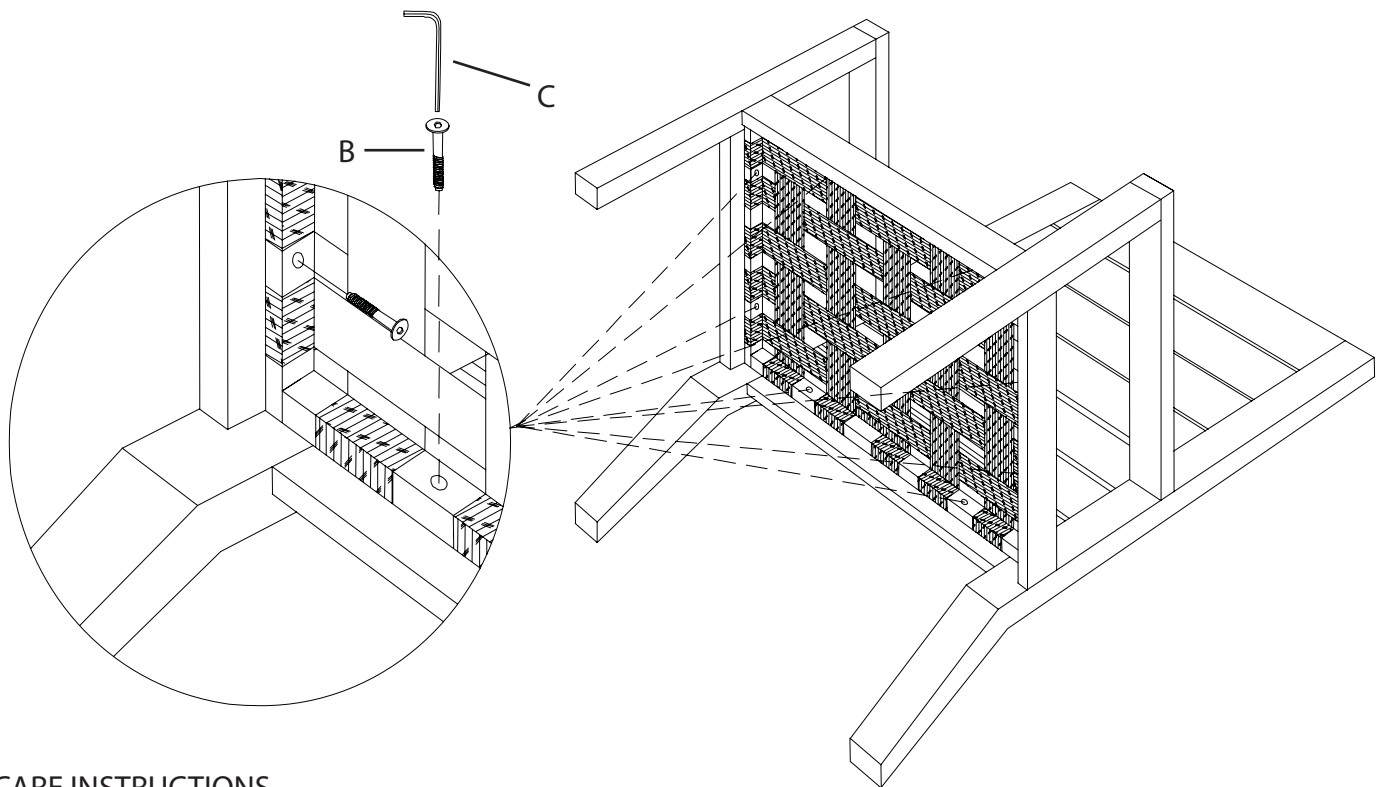
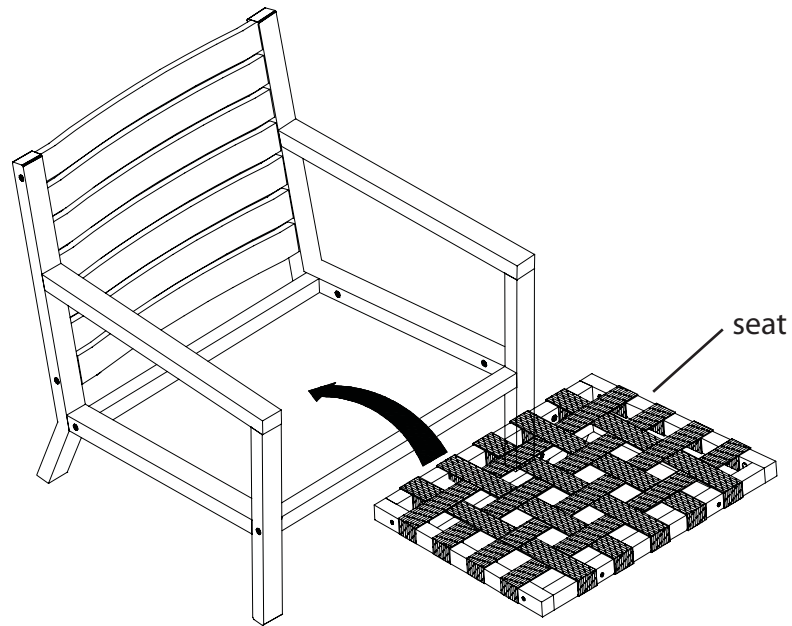
## Parts



1. Insert front rail, back rail, top and bottom seat slat into the right seat frame. Insert bolt (A) into holes shown in drawing. Tighten with supplied hex key (C).
2. insert the 5 center slats into the right seat frame.
3. Align left seat frame and insert all rails. Insert bolt (A) thru left seat frame and tighten with supplied hex key (C).



4. Lay seat into assembled chair frame. Insert bolts (B) thru the seat into the frame and tighten with hex key (C).



**CARE INSTRUCTIONS**

Hardware may loosen overtime. Periodically check that all connections are tight.  
Wipe with a soft, dry cloth. To protect finish, avoid the use of chemicals and household cleaners.