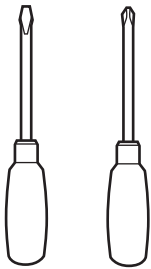
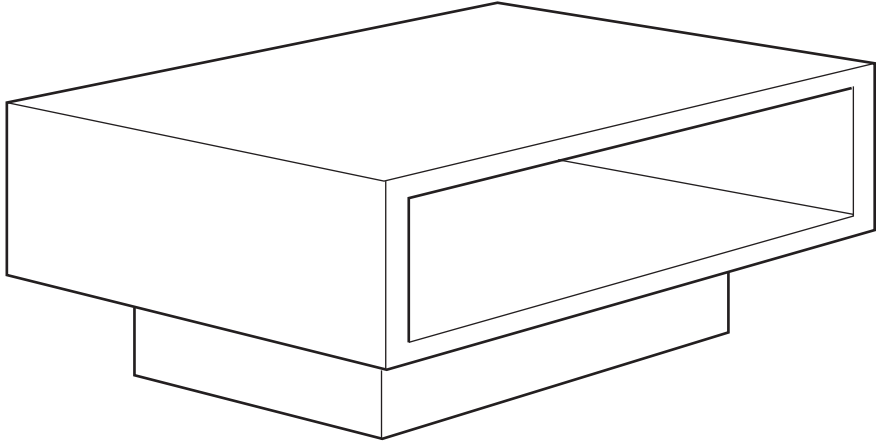


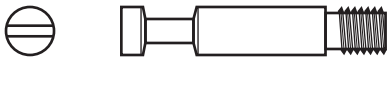
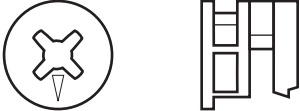
west elm: low cubby side table

assembly instructions



! Tools required:

- ! Do not throw away packaging materials until assembly is complete.
- ! Assemble this item on a soft surface, such as cardboard or carpet, to protect the finish.

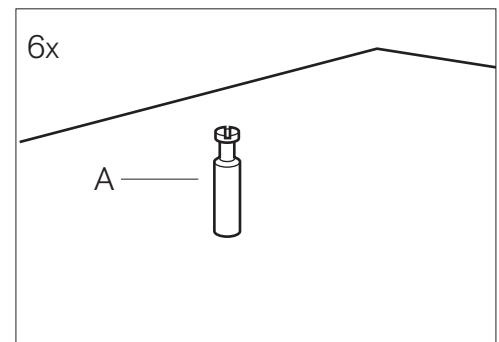
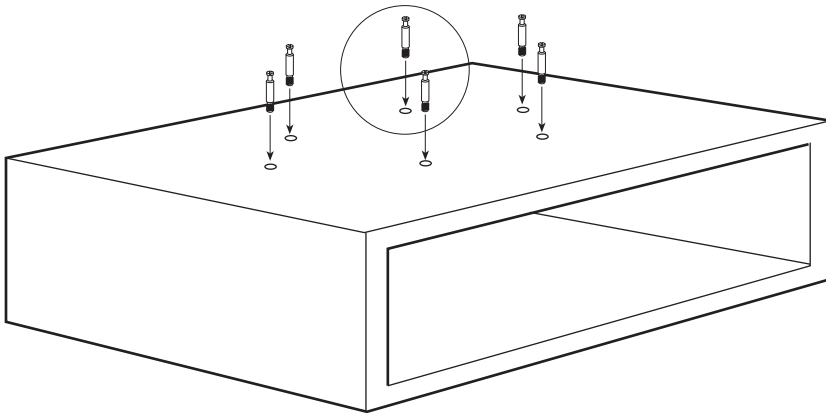
<p>A</p>  <p>cam: 1/4" DIA x 1 3/8" 6x</p>	<p>B</p>  <p>cam lock 6x</p>
--	---

west elm: low cubby side table

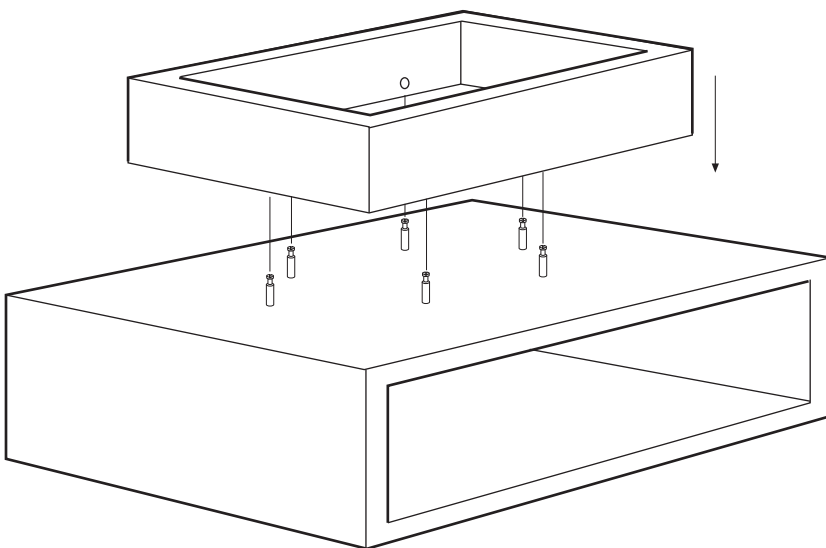
assembly instructions

1. Place table upside down on a flat surface.

2. Insert cams (A) into holes on tabletop as shown and tighten cams with a flat head screwdriver.



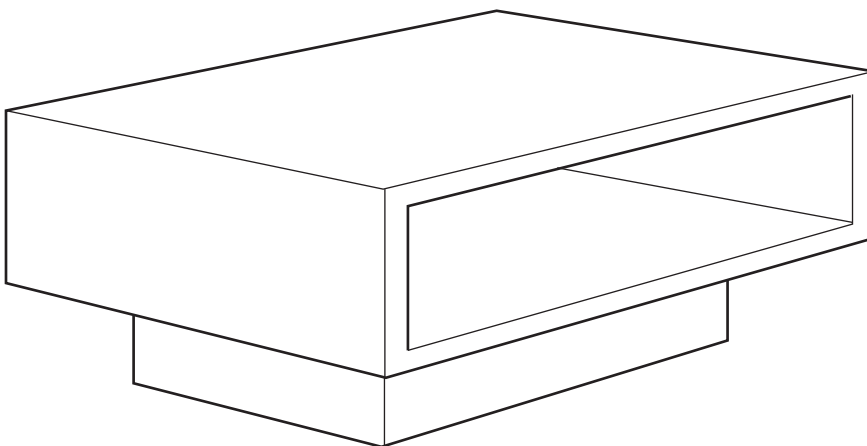
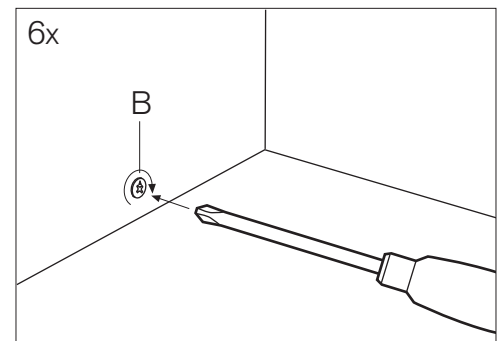
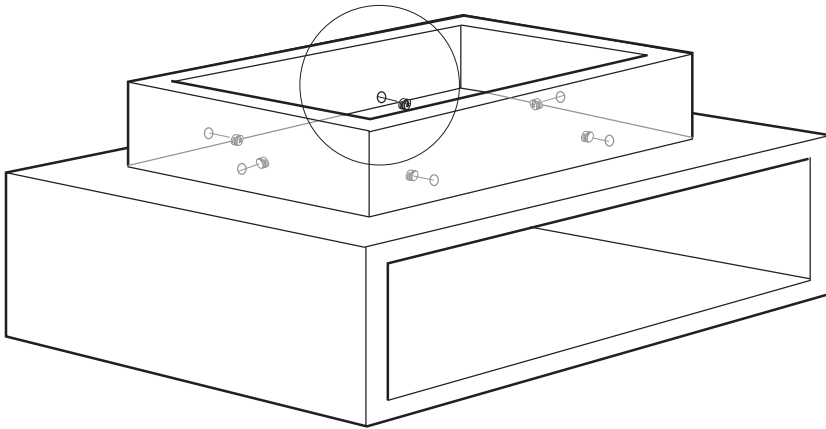
3. Place base on tabletop, aligning holes in base with cams.



west elm: low cubby side table

assembly instructions

4. Insert cam locks (B) into holes on inside of base. Tighten with a philip's head screwdriver.



CARE INSTRUCTIONS.

Hardware may loosen over time. Periodically check that all connections are tight.

Wipe with a soft, dry cloth. To protect the finish, avoid the use of all chemicals and household cleaners.