

Important Safety Instructions:

- These instructions are provided for your safety. It is very important that they are read carefully and completely before beginning the assembly and installation of this lighting fixture.
- This portable luminaire has a polarized plug (one blade is wider than the other) as a safety feature to reduce the risk of electric shock. This plug will fit in a polarized outlet only one way. If the plug does not fit fully in the outlet, reverse the plug. If it still does not fit, contact a qualified electrician. Never use with an extension cord unless plug can be fully inserted. Do not alter the plug. Do not attempt to defeat this safety feature.
- The Medium Socket (J) in fixture has been rated for up to one (1) **60-watt maximum TYPE A standard incandescent light bulb** (not included) or one (1) **13-watt compact fluorescent light bulb** (not included) or one (1) **4-watt SBLED light bulb** (included). To avoid the risk of fire, do not exceed the recommended lamp wattage.
- The Candelabra Socket (I) in fixture has been rated for up to one (1) **40-watt maximum TYPE G standard (candelabra) incandescent light bulb** (not included) or one (1) **9-watt compact fluorescent light bulb** (not included) or one (1) **2-watt SBLED light bulb** (included). To avoid the risk of fire, do not exceed the recommended lamp wattage.
- This lamp is meant for indoor use.
- **Save these instructions.**

WARNING:

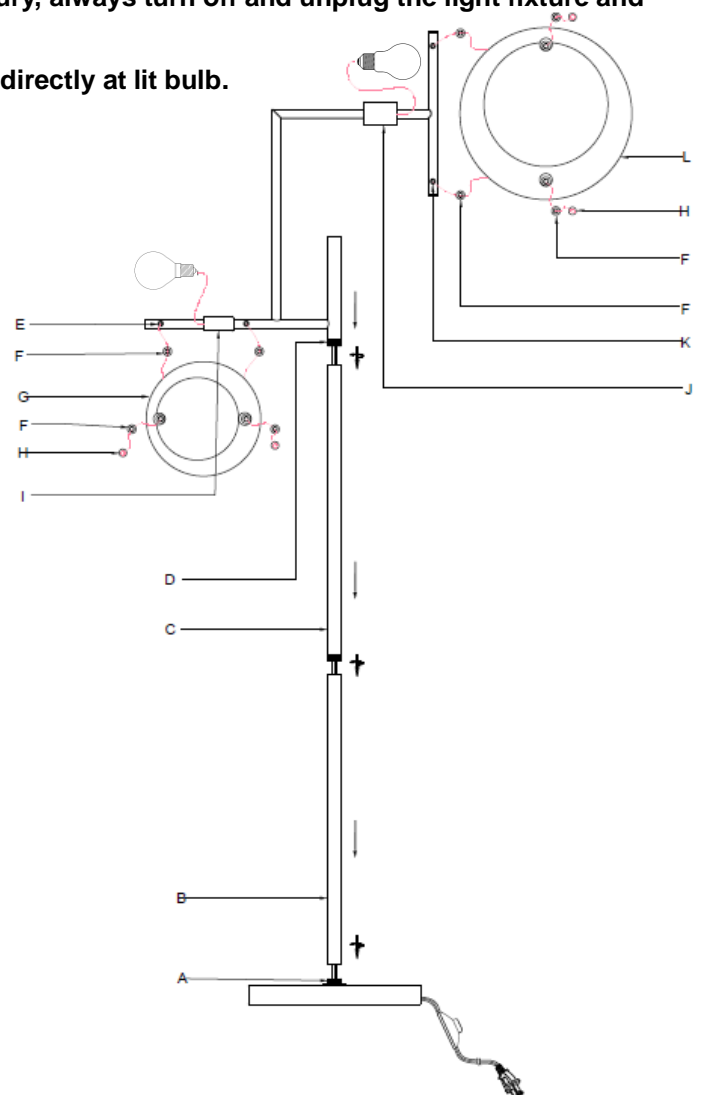
- **To reduce the risk of fire, electrical shock or personal injury, always turn off and unplug the light fixture and allow it to cool prior to replacing the light bulb.**
- **Do not touch bulb when fixture is turned on. Do not look directly at lit bulb.**
- **Keep flammable materials away from lit bulb.**

Pre-assembly:

- Remove all parts and hardware from box along with any plastic protective packaging.
- Do not discard any contents until after assembly is complete to avoid accidentally discarding small parts or hardware.

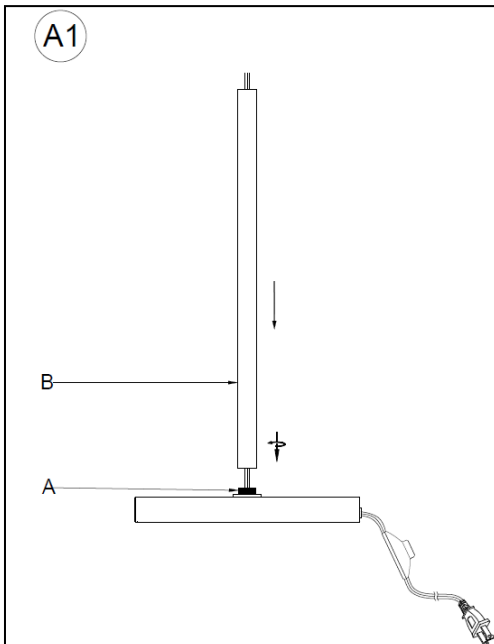
Parts Included:

- (A) Threaded Pipe (1)
- (B) Lower Stem (1)
- (C) Middle Stem (1)
- (D) Upper Stem (1)
- (E) Small Glass Threads (2)
- (F) Washers (8)
- (G) Small Glass Shade (1)
- (H) Threaded Nuts (4)
- (I) Candelabra Socket (1)
- (J) Medium Socket (1)
- (K) Large Glass Threads (2)
- (L) Large Glass Shade (1)

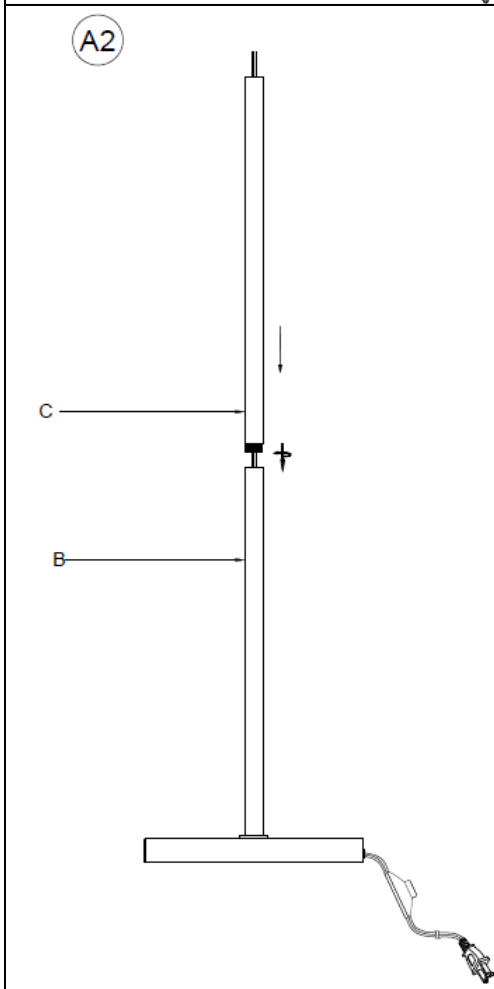


Jamie Harris Floor Lamp Assembly Instructions

To Assemble:

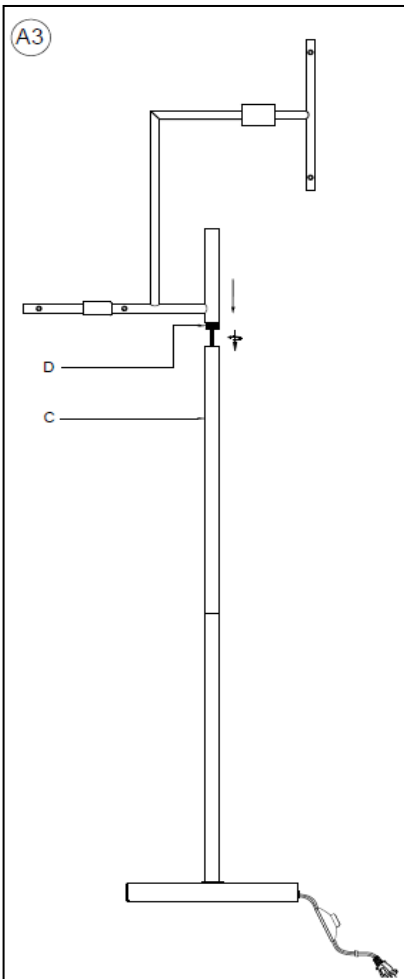


With the help of another person, secure the bottom end of the Lower Stem (B) onto the Threaded Pipe (A) clockwise direction until tight.

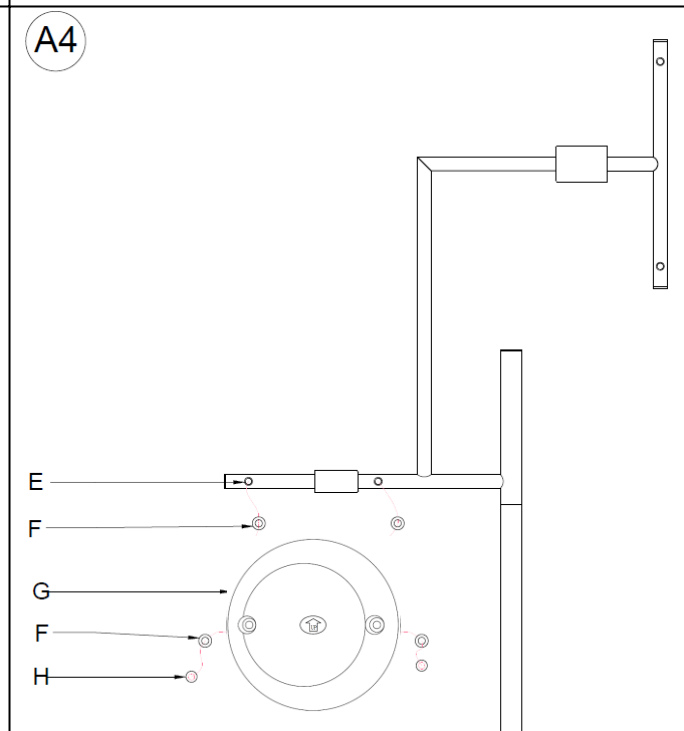


Secure the bottom end of the Middle Stem (C) into the top end of the Lower Stem (B) by turning the Middle Stem (C) in a clockwise direction until tight.

Jamie Harris Floor Lamp Assembly Instructions

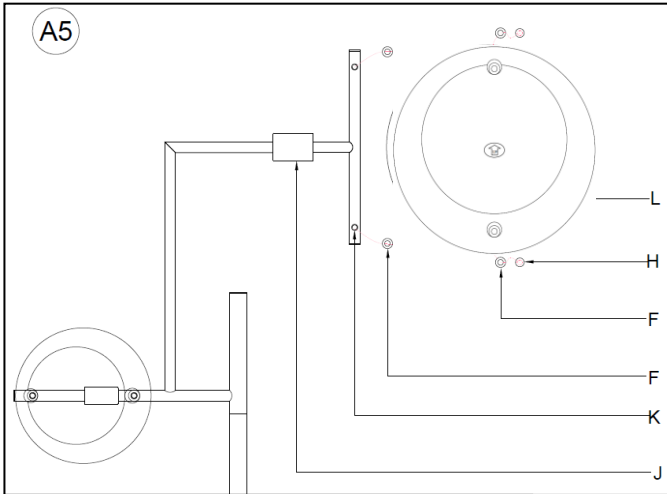


Secure the bottom end of the Upper Stem (D) into the top end of the Middle Stem (C) by turning the Upper Stem (D) in a clockwise direction until tight.

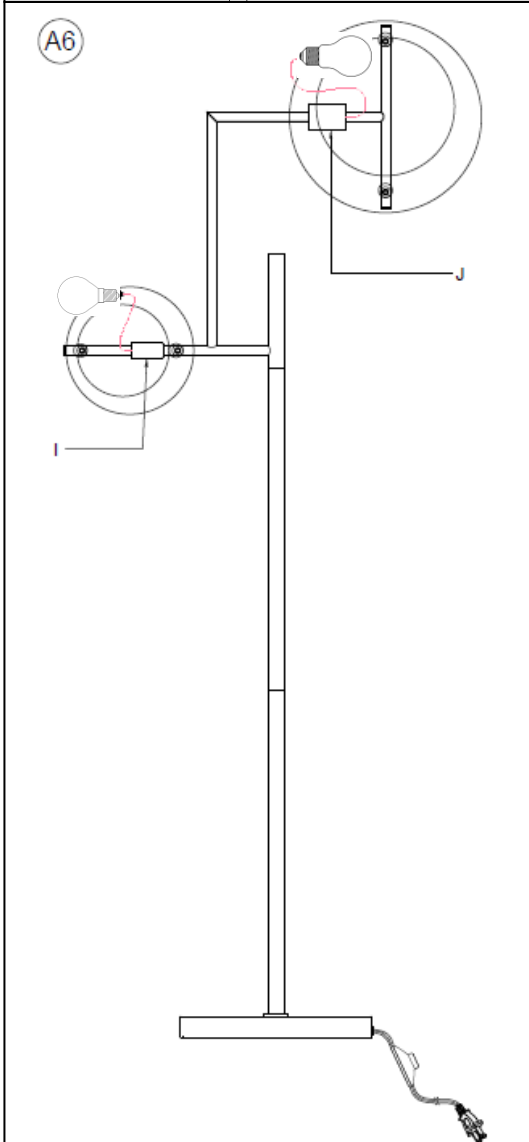


Remove the Threaded Nut (H) and Washer (F) from the Small Glass Threaded (E) and place the 1 pc Washer (F) on to the Small Glass Threaded (E) Attach the Small Glass Shade (G) **Please follow the direction of Upward Label to install glass Shade(G)** and place another Washer (F) on to the top of the Small Glass Threaded (E) by tightening the Threaded Nut (H) in a clockwise direction until tight. **Removed Label after Installed.**

Jamie Harris Floor Lamp Assembly Instructions



Remove the Threaded Nut (H) and Washer (F) from the Large Glass Threaded (K) and place the 1 pc Washer (F) on to the Large Glass Threaded (K) Attach the Large Glass Shade (L) Please follow the direction of Upward Label to install Glass Shade(L) and place another Washer (F) on to the top of the Large Glass Threaded (K) by tightening the Threaded Nut (H) in a clockwise direction until tight. Removed Label after Installed.



1. Insert one (1) **60-watt maximum TYPE A standard incandescent light bulb** (not included) or one (1) **13-watt compact fluorescent light bulb** (not included) or one (1) **4-watt SBLED light bulb** (included) into the Medium Base Socket (J). **DO NOT EXCEED THE SPECIFIED WATTAGE.**
2. Insert one (1) **40-watt maximum TYPE G standard (candelabra) incandescent light bulb** (not included) or one (1) **9-watt compact fluorescent light bulb** (not included) or one (1) **2-watt SBLED light bulb** (included) into the Candelabra Base Socket (I). **DO NOT EXCEED THE SPECIFIED WATTAGE.**

Care instructions:

- Wipe clean with a soft, dry cloth or static duster.
- Always avoid the use of harsh chemicals or abrasive cleaners as they may cause damage to the fixture's finish.

Thank you for your purchase
Stores | catalog | www.westelm.com
USA 888-922-4119